



**Defender® 6000 Indicators
Instruction Manual**

**Defender® 6000 Waagen
Bedienungsanleitung**

**Indicadores Defender® 6000
Manual de instrucciones**

**Manuel d'instructions sur les
indicateurs de Defender® 6000**

**Indicatori® Defender 6000
Manuale di istruzioni**

Table of Contents

| | | |
|-----------|--|-----------|
| 1. | INTRODUCTION | 3 |
| 1.1. | SAFETY PRECAUTIONS | 3 |
| 1.2. | INTENDED USE | 3 |
| 1.3. | OVERVIEW OF PARTS AND CONTROLS | 4 |
| 1.4. | MAINBOARD | 5 |
| 1.5. | CONTROL FUNCTIONS | 6 |
| 2. | INSTALLATION | 9 |
| 2.1 | UNPACKING | 9 |
| 2.2 | EXTERNAL CONNECTIONS..... | 9 |
| 2.2.1 | Scale Base with EasyConnect™ Connector..... | 9 |
| 2.2.2 | Power input to i-DT61PW..... | 9 |
| 2.2.3 | AC Power to i-DT61XWE..... | 9 |
| 2.3 | INTERNAL CONNECTIONS | 9 |
| 2.3.1 | Opening the Housing..... | 9 |
| 2.3.2 | Scale Base without EasyConnect™ Connector..... | 11 |
| 2.3.3 | Communication Interface Cable to i-DT61PW..... | 14 |
| 2.3.4 | RS232 Interface Cable to i-DT61XWE..... | 15 |
| 2.4 | MOUNTING BRACKET..... | 15 |
| 3. | OPERATION | 16 |
| 3.1 | TURNING THE SCALE ON/OFF..... | 16 |
| 3.2 | WEIGHING MODE | 16 |
| 3.2.1 | Enter the Mode and Start Weighing | 16 |
| 3.2.2 | Accumulation and Statistics | 16 |
| 3.2.3 | Check | 17 |
| 3.2.4 | Application Settings | 18 |
| 3.3 | COUNTING MODE | 19 |
| 3.3.1 | Enter the Mode | 19 |
| 3.3.2 | Establish an APW | 19 |
| 3.3.3 | Start Counting | 19 |
| 3.3.4 | Application Settings | 19 |
| 3.4 | PERCENT MODE | 20 |
| 3.4.1 | Enter the Mode | 20 |
| 3.4.2 | Establish a Reference Weight..... | 20 |
| 3.4.3 | Start Percent Weighing | 20 |
| 3.4.4 | Application Settings | 20 |
| 3.5 | DYNAMIC MODE..... | 21 |
| 3.5.1 | Enter the Mode | 21 |
| 3.5.2 | Start Dynamic Weighing | 21 |
| 3.5.3 | Application Settings | 21 |
| 3.6 | FILLING MODE..... | 22 |
| 3.6.1 | Enter the Mode | 22 |
| 3.6.2 | Start Filling | 22 |
| 3.6.3 | Resume and Pause Filling..... | 22 |
| 3.6.4 | Display of the Dot Matrix Screen..... | 22 |
| 3.6.5 | Application Settings | 23 |
| 4. | MENU SETTINGS | 24 |
| 4.1 | MENU NAVIGATION | 24 |
| 4.1.1 | User Menu..... | 24 |
| 4.1.2 | Button Navigation..... | 25 |
| 4.2 | CALIBRATION MENU..... | 26 |
| 4.2.1 | Initial Calibration..... | 26 |
| 4.2.2 | Zero Calibration [ZERR]..... | 26 |
| 4.2.3 | Span Calibration [SPAN]..... | 26 |
| 4.2.4 | Linearity Calibration [L #?]..... | 27 |
| 4.2.5 | GEO Adjustment [GEO]..... | 27 |
| 4.2.6 | Calibration Test [L.E.S.E]..... | 28 |

| | | |
|-----------|---|-----------|
| 4.2.7 | <i>End Cal [End]</i> | 28 |
| 4.3 | SETUP MENU | 29 |
| 4.4 | READOUT MENU | 33 |
| 4.5 | UNIT MENU..... | 35 |
| 4.6 | GLP/GMP MENU | 35 |
| 4.7 | COMMUNICATION | 36 |
| 4.7.1 | <i>RS232 Menu</i> | 36 |
| 4.7.2 | <i>Print Menu</i> | 37 |
| 4.7.3 | <i>RS485 Configuration</i> | 40 |
| 4.7.4 | <i>Ethernet Configuration</i> | 40 |
| 4.7.5 | <i>Analog Configuration</i> | 40 |
| 4.8 | MEMORY | 40 |
| 4.8.1 | <i>Memory menu (for i-DT61PW model)</i> | 40 |
| 4.8.2 | <i>USB memory (for i-DT61XWE model)</i> | 40 |
| 4.8.3 | <i>Alibi Memory (for i-DT61XWE model)</i> | 41 |
| 4.9 | DISCRETE I/O (FOR I-DT61XWE MODEL) | 46 |
| 4.9.1 | <i>I/O Type</i> | 46 |
| 4.9.2 | <i>Input</i> | 47 |
| 4.9.3 | <i>Output</i> | 47 |
| 4.10 | LOCK KEY CONFIGURATION | 47 |
| 4.11 | LIBRARY (FOR I-DT61XWE MODEL)..... | 48 |
| 4.12 | USER (FOR I-DT61XWE MODEL)..... | 50 |
| 4.13 | USB (FOR I-DT61XWE MODEL) | 52 |
| 4.13.1 | <i>USB Flash Drive</i> | 52 |
| 4.13.2 | <i>RFID</i> | 52 |
| 4.13.3 | <i>Barcode</i> | 52 |
| 4.13.4 | <i>Keyboard</i> | 52 |
| 4.13.5 | <i>Wi-Fi/Bluetooth Dongle (Optional)</i> | 53 |
| 5. | LEGAL FOR TRADE | 55 |
| 5.1 | SETTINGS..... | 55 |
| 5.2 | VERIFICATION | 55 |
| 5.3 | SEALING | 55 |
| 6. | MAINTENANCE | 57 |
| 6.1 | CLEANING..... | 57 |
| 6.1.1 | <i>Cleaning for i-DT61PW Model</i> | 57 |
| 6.1.2 | <i>Cleaning for i-DT61XWE Model</i> | 57 |
| 6.2 | TROUBLESHOOTING | 58 |
| 6.3 | SERVICE INFORMATION | 58 |
| 7. | TECHNICAL DATA | 59 |
| 7.1 | SPECIFICATIONS | 59 |
| 7.2 | TABLE OF GEO VALUES..... | 61 |
| 8. | COMPLIANCE | 62 |
| 9. | APPENDICES | 64 |
| 9.1 | APPENDIX A..... | 64 |
| 9.2 | APPENDIX B..... | 66 |

1. INTRODUCTION

This manual contains installation, operation and maintenance instructions for i-DT61PW and i-DT61XWE indicators. Please read it completely before installation and operation.

1.1. Safety Precautions

Definition of Signal Warnings and Symbols

Safety notes are marked with signal words and warning symbols. These show safety issues and warnings. Ignoring the safety notes may lead to personal injury, damage to the instrument, malfunctions and false results.

| | |
|-----------|--|
| WARNING | For a hazardous situation with medium risk, possibly resulting in severe injuries or death if not avoided. |
| CAUTION | For a hazardous situation with low risk, resulting in damage to the device or the property or in loss of data, or minor or medium injuries if not avoided. |
| ATTENTION | For important information about the product. May lead to equipment damage if not avoided. |
| NOTE | For useful information about the product. |

Warning Symbols



General hazard



Explosion hazard



Electrical shock hazard

Safety Precautions



CAUTION: Read all safety warnings before installing, making connections, or servicing this equipment. Failure to comply with these warnings could result in personal injury and/or property damage. Retain all instructions for future reference.

- Before connecting power, verify that the AC adapter's input voltage range and plug type are compatible with the local AC mains power supply.
- Do not position the equipment such that it is difficult to reach the power connection.
- Only connect the power cord to a compatible grounded electrical outlet.
- Make sure that the power cord does not pose a potential obstacle or tripping hazard.
- Operate the equipment only under ambient conditions specified in these instructions.
- The equipment is for indoor use only.
- Do not operate the equipment in hazardous or unstable environments.
- Do not place the equipment upside down on the platform.
- Use only approved accessories and peripherals.
- Disconnect the equipment from the power supply when cleaning.
- Service should only be performed by authorized personnel.



WARNING: Never work in an environment subject to explosion hazards! The housing of the instrument is not gas tight. (Explosion hazard due to spark formation, corrosion caused by the ingress of gases).



WARNING: Electrical shock hazards exist within the housing. The housing should only be opened by authorized and qualified personnel. Remove all power connections to the unit before opening.

1.2. Intended Use

This instrument is intended for use in light industry. It must only be used for measuring the parameters described in these operating instructions. Any other type of use and operation beyond the limits of technical specifications, without written consent from OHAUS, is considered as not intended. This instrument complies with current industry standards and the recognized safety regulations; however, it can constitute a hazard in use. If the instrument is not used according to these operating instructions, the intended protection provided by the instrument may be impaired.

1.3. Overview of Parts and Controls

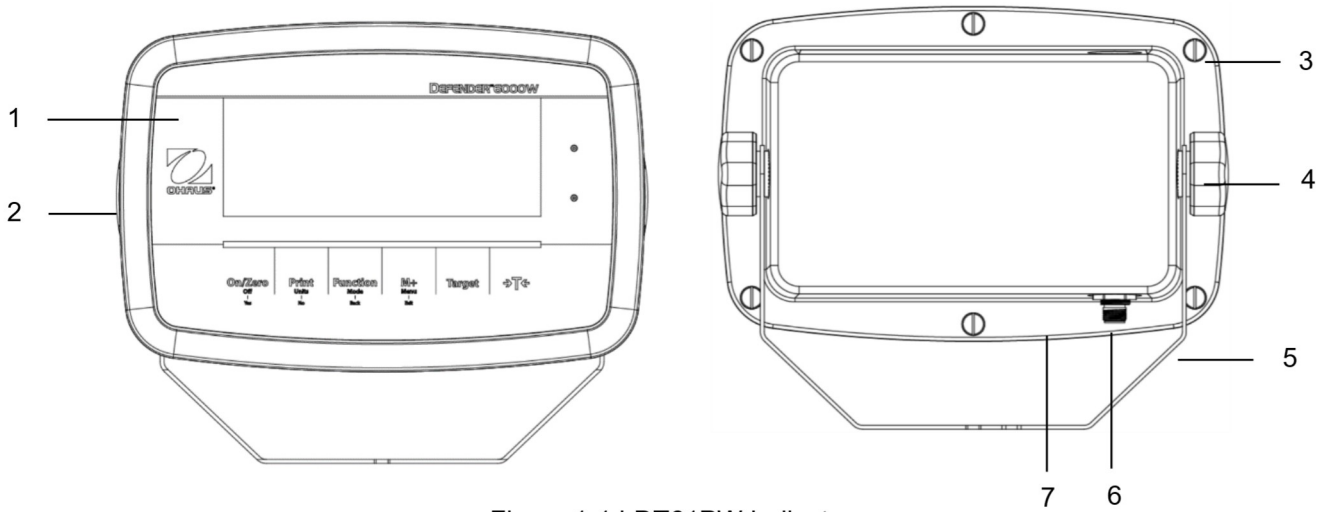


Figure 1-1 i-DT61PW Indicator

| Item | Description |
|------|---------------------|
| 1 | Control Panel |
| 2 | Front Housing |
| 3 | Screws (6) |
| 4 | Adjusting Knobs (2) |
| 5 | Mounting Bracket |
| 6 | Load Cell Connector |
| 7 | Rear Housing |

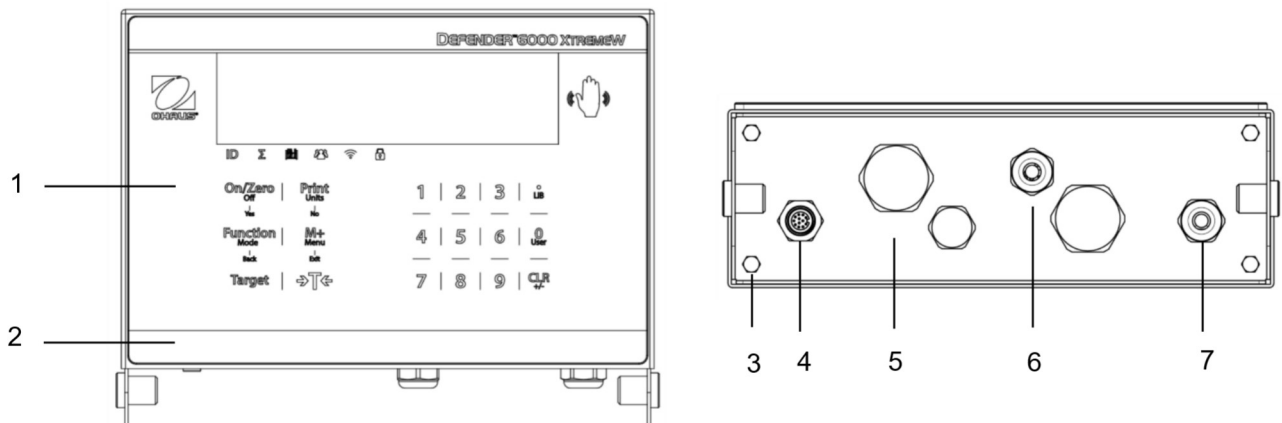
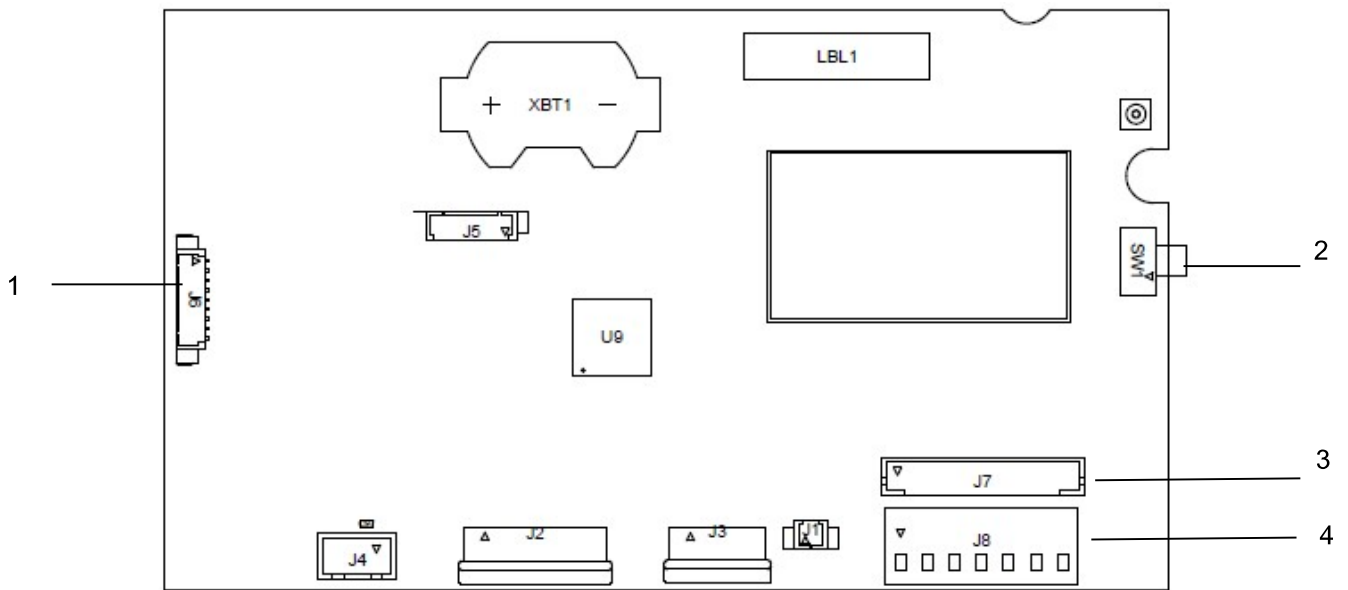


Figure 1-2 i-DT61XWE Indicator

| Item | Description |
|------|--------------------------|
| 1 | Control Panel |
| 2 | Front Housing |
| 3 | Screws (4) |
| 4 | Load Cell Connector |
| 5 | Bottom Housing |
| 6 | Strain Relief for Option |
| 7 | Power cord |

1.4. Mainboard



.Figure 1-3 i-DT61PW Mainboard

| Item | Description |
|------|---------------------------------|
| 1 | IR Communication connector (J6) |
| 2 | Security Switch (SW1) |
| 3 | Load Cell connector (J7) |
| 4 | Load Cell Terminal Block (J8) |

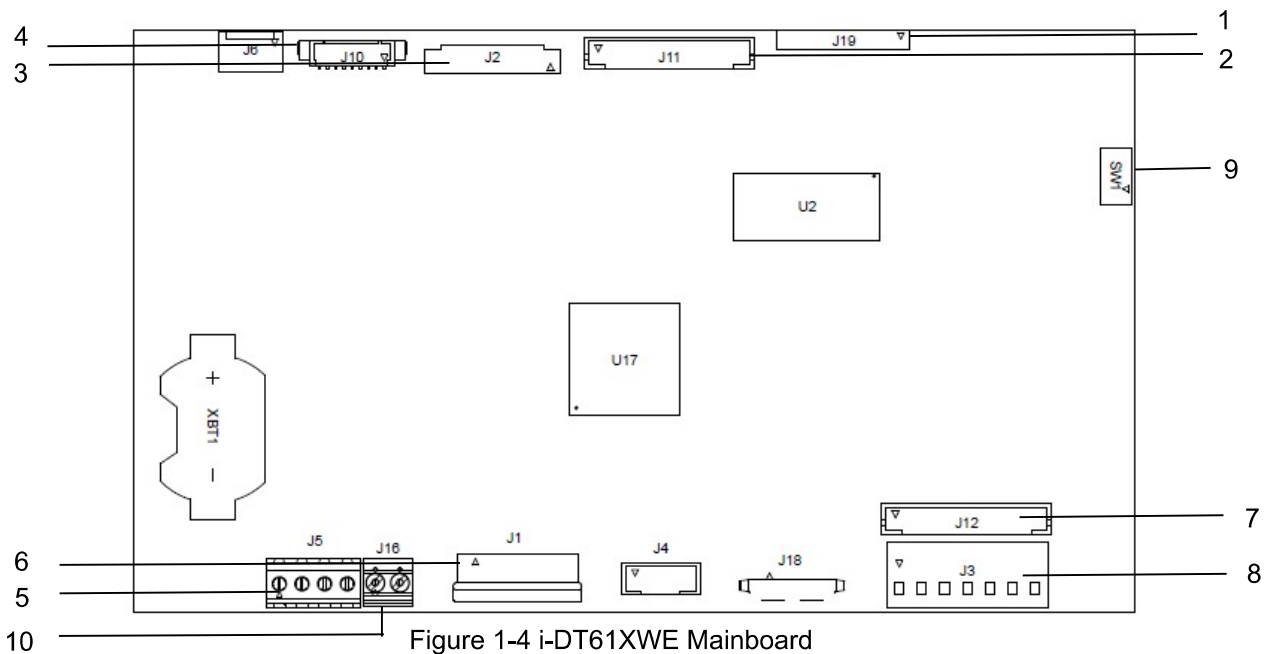


Figure 1-4 i-DT61XWE Mainboard

| Item | Description | Item | Description |
|------|--|------|---------------------------------|
| 1 | Alibi Memory Board connector (J19) | 6 | Keyboard connector (J1) |
| 2 | Discrete I/O/Analog/RS232-RS485-USB Device connector (J11) | 7 | Load Cell connector (J12) |
| 3 | Display Board connector (J2) | 8 | Load Cell Terminal Block (J3) |
| 4 | Ethernet connector (J10) | 9 | Security Switch connector (SW1) |
| 5 | RS232 connector (J5) | 10 | Discrete Input0 (J16) |

1.5. Control Functions



i-DT61PW Control Panel



i-DT61XWE Control Panel

| Button | On/Zero Off Yes | Print Units No | Function Mode Back | M+ Menu Exit | Target | →T← |
|---------------------------------|---|--|--|--|--|---|
| Primary Function (Short Press) | On/Zero If the terminal is Off, press to power on; If the terminal is On, press to set the zero point. | Print Sends the current value to the selected COM ports if AUTOPRINT is disabled. | Function Initiates an application mode. | M+ Accumulates the weight or displays the accumulated information with no load on the pan. | Target Sets under/over limit value for Check. | Tare Enters/clears a tare value; When the accumulation data is displayed, press to clear them. |
| Secondary Function (Long Press) | Off If the terminal is On, press to power off. | Units Changes the weighing unit. | Mode Allows changing the application mode. | Menu Enters the user menu. | Target Shows under/over limit value for Check. | Tare Displays the tare weight. |
| Menu Function (Short Press) | Yes Accepts the current setting on the display. | No Advances to the next menu or menu item. Rejects the current setting on the display and advances to the next available one. | Back Moves back to the previous menu item. | Exit Exits the user menu. Aborts the calibration in progress. | | |

Notes:

- Short Press: press less than 1 second.
- Long Press: press and hold for more than 2 seconds.

Numeric keyboard (i-DT61XWE)

| | | | | |
|---------------------------------|--------------------------------------|---|--|---|
| | | | | |
| Primary Function (Short Press) | 1-9 Enters numeric values. | . Enters decimal point (.). | 0 Enters numeric values 0. | CLR Clears the entered value. Clears an existing APW. When the accumulation data is displayed, press to clear them. |
| Secondary Function (Long Press) | | LIB Searches library items with numeric keys. | User Searches users with numeric keys. | +/- Switches between positive and negative values. |

Note: for i-DT61XWE model, press the and button together for three seconds can lock all buttons. Perform the same procedure again to unlock all buttons. When all buttons are locked, the icon will be lighted.

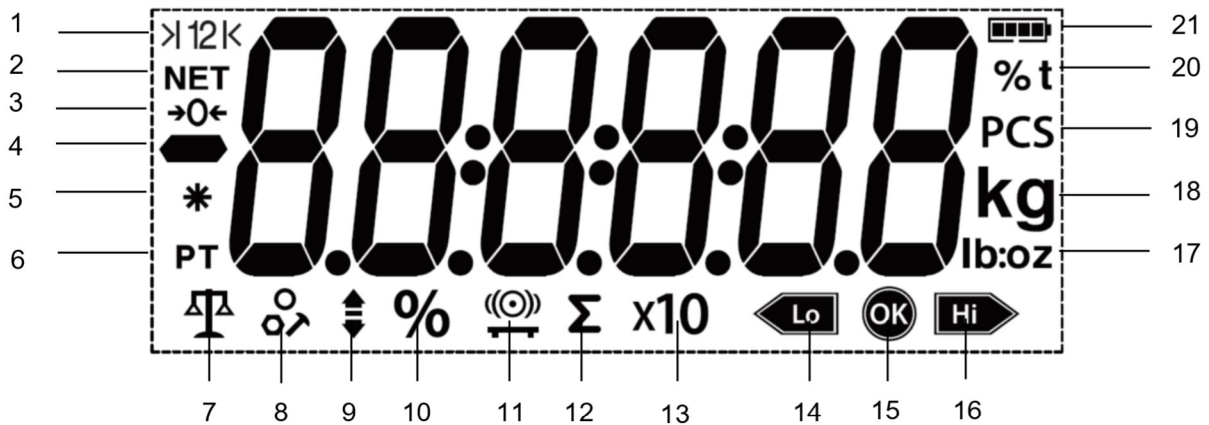


Figure 1-5 i-DT61PW Display

| Item | Description | Item | Description |
|------|---------------------------------|------|---|
| 1 | Range symbol (not used) | 12 | Accumulation symbol |
| 2 | NET symbol | 13 | Resolution extension symbol (not used) |
| 3 | Center of Zero symbol | 14 | Check weighing lower symbol |
| 4 | Negative symbol | 15 | Acceptable symbol |
| 5 | Stable weight symbol | 16 | Check weighing higher symbol |
| 6 | Preset Tare, Tare symbols | 17 | Pound, Ounce, Pound:Ounce symbols |
| 7 | Weighing mode symbol | 18 | Kilogram, gram symbols |
| 8 | Counting mode symbol | 19 | Pieces symbol |
| 9 | Check weighing mode symbol | 20 | Percent symbol, tonne symbol (not used) |
| 10 | Percentage weighing mode symbol | 21 | Battery symbol |
| 11 | Dynamic weighing mode symbol | | |

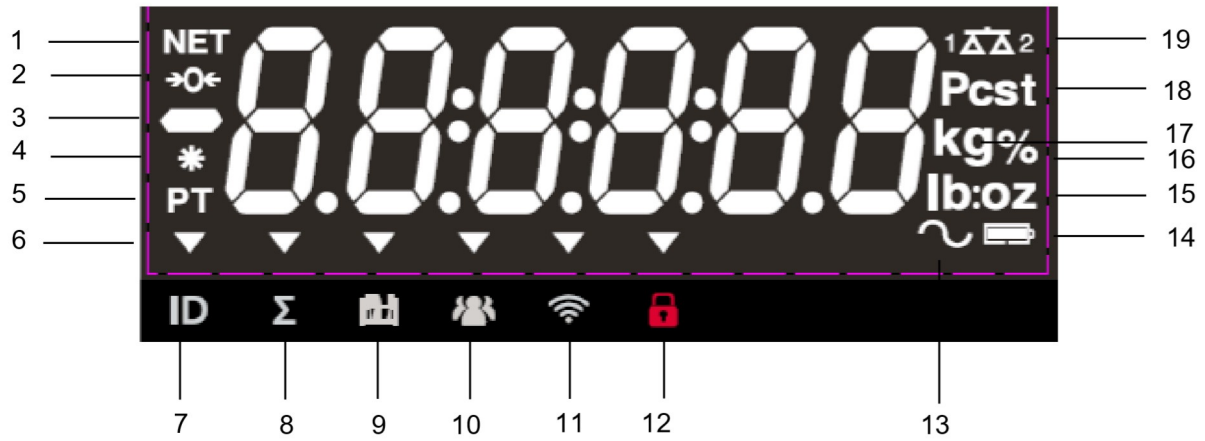


Figure 1-6 i-DT61XWE Display

| Item | Description | Item | Description |
|------|---------------------------|------|--|
| 1 | NET symbol | 11 | Wi-Fi symbol |
| 2 | Center of Zero symbol | 12 | Lock symbol |
| 3 | Negative symbol | 13 | Dynamic (tilde) symbol |
| 4 | Stable weight symbol | 14 | Battery symbol (not use) |
| 5 | Preset Tare, Tare symbols | 15 | Pound, Ounce, Pound:Ounce symbols |
| 6 | Pointer symbols | 16 | Percent symbol |
| 7 | ID symbol | 17 | Kilogram, gram symbols |
| 8 | Accumulation symbol | 18 | Pieces symbol, tonne symbol (not used) |
| 9 | Library symbol | 19 | Scale symbol (not used) |
| 10 | User symbol | | |

2. INSTALLATION

2.1 Unpacking

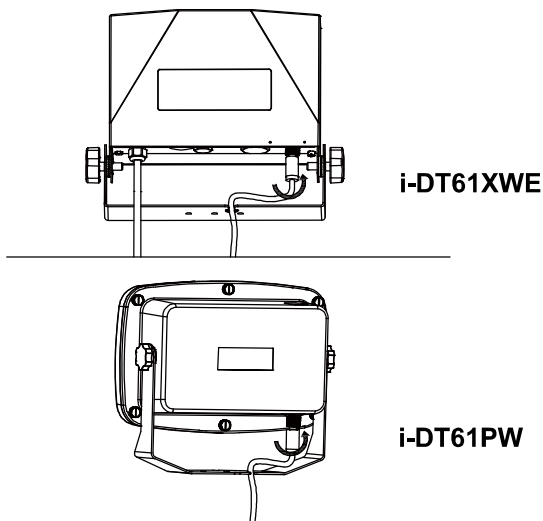
Unpack the following items:

- i-DT61PW or i-DT61XWE indicator
- 6 cells of D size dry batteries (i-DT61PW only)
- Mounting bracket
- Knobs (2)
- Quick installation guide
- Instruction manual

2.2 External Connections

2.2.1 Scale Base with EasyConnect™ Connector

To connect the OHAUS scale base with EasyConnect™ connector to the terminal, plug the base's connector onto the external load cell connector located at the bottom of the terminal. Then rotate the base connector's locking ring clockwise. Check the following illustration for details.



2.2.2 Power input to i-DT61PW

Use 6 cells of D size dry batteries. During battery operation, the battery symbol indicates the battery status.



Battery 5%~25% remaining



Battery 25%~50% remaining



Battery 50%~75% remaining



Battery 75%~100% remaining

2.2.3 AC Power to i-DT61XWE

Connect the AC plug to an electrical outlet.

2.3 Internal Connections

Some connections require the housing to be opened.

2.3.1 Opening the Housing



CAUTION: ELECTRICAL SHOCK HAZARD. REMOVE ALL POWER CONNECTIONS TO THE INDICATOR BEFORE SERVICING OR MAKING INTERNAL CONNECTIONS. THE HOUSING SHOULD ONLY BE OPENED BY AUTHORIZED AND QUALIFIED PERSONNEL, SUCH AS AN ELECTRICAL TECHNICIAN.

i-DT61PW

1. Remove the six Phillips head screws from the rear housing.
2. Remove the front housing. Be careful not to disturb the internal connections.

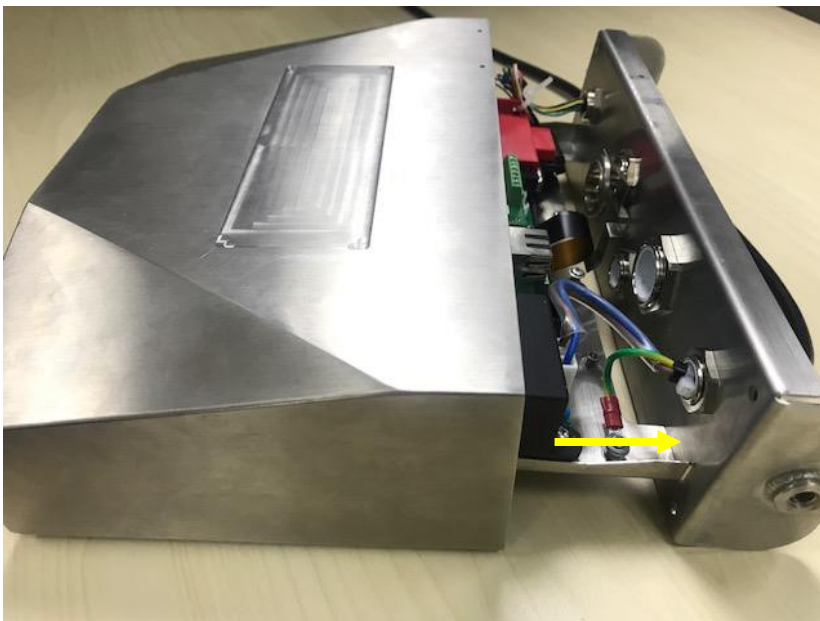
3. Once all connections are made, re-attach the front housing.

i-DT61XWE

1. Remove the four hex head screws from the bottom housing.



2. Open the housing by carefully pulling the bottom housing backward.



3. Once all connections are made, re-attach the bottom housing.

Note: The screws should be tightened to 2.5 N•m (20-25 in-lb) torque to ensure a watertight seal.

2.3.2 Scale Base without EasyConnect™ Connector

For connecting bases (which do not have the EasyConnect™ connector) to an i-DT61PW or an i-DT61XWE, a load cell cable gland kit (P/N 30379716) is available as an accessory.

Removing the pre-installed Load Cell connector and wiring harness.

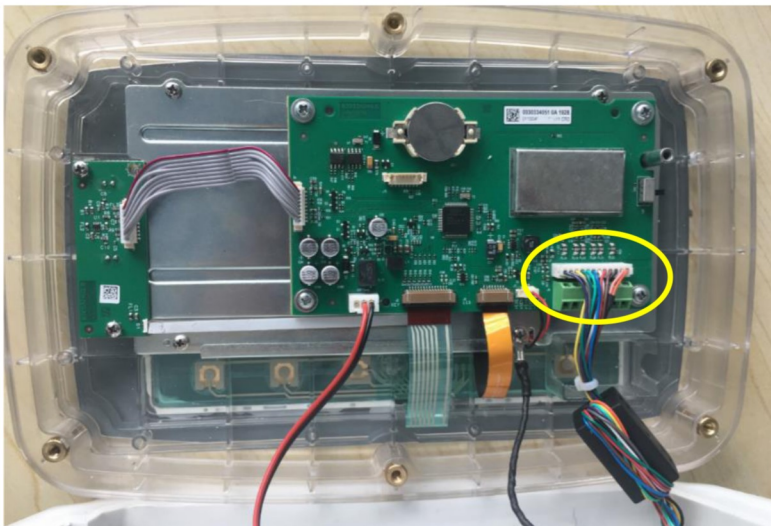
Before making the connections, remove the pre-installed load cell connector and wiring harness by following the following steps.

i-DT61PW

1. Remove the 6 Phillips head screws, and open the rear housing by carefully pulling the front housing forward.
2. Unplug the white load cell connectors from the main housing (two circles).



3. Open the front housing by removing the 12 Phillips head screws.
4. Unplug the white load cell connectors from the main PCBA board.

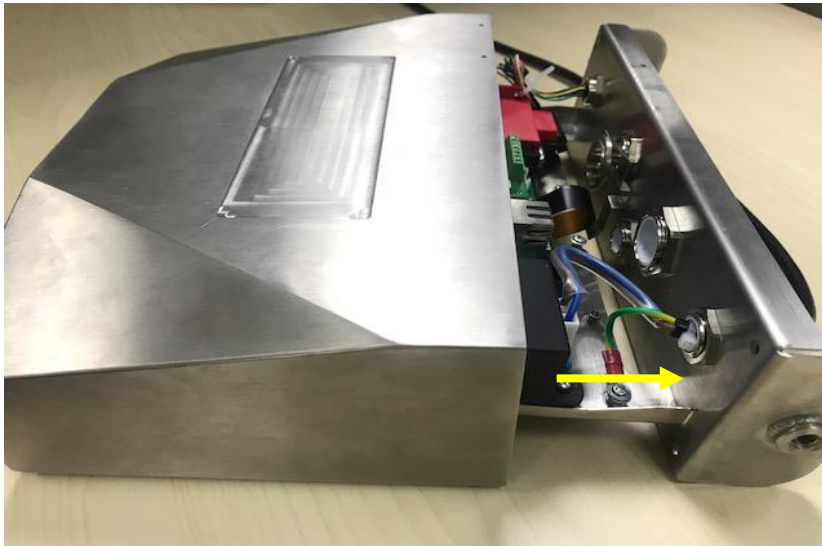


i-DT61XWE

1. Place the terminal down, and unscrew the screws marked in the following graphic.



2. Pull out the bottom of the terminal.



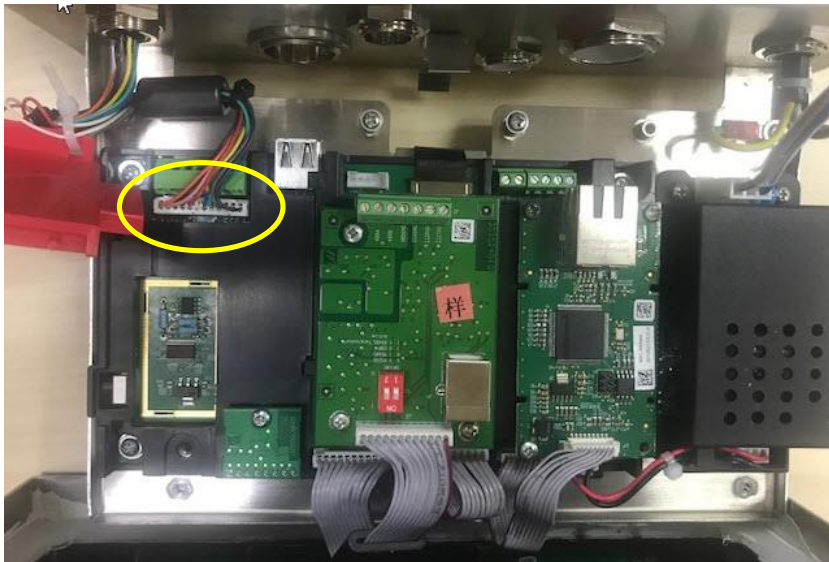
3. Use a screw driver to unscrew the sealing cover.



4. Pull the protruding part of the sealing cover a little forward to release it.



5. Remove the sealing cover and then unplug the white load cell connectors.



Installing Load Cell Cable and Connectors

In order to meet certain electrical noise emission limits and to protect i-DT61PW and i-DT61XWE from external influences, it is necessary to install a ferrite core on the load cell cable connected to the terminal. The ferrite core is included with the terminal.

To install the ferrite, simply route the cable through the center of the core and then take one wrap around the outside of the core and route the cable through the center again. Either the complete cable or the individual wires can be wrapped through the ferrite. This should be done as close to the enclosure as possible. See Figure 2-1.



Figure 2-1

Main Board Wiring Connections

Once the i-DT61PW and i-DT61XWE enclosure is opened, connections can be made to the terminal blocks on the main board as shown in Figure 2-2.

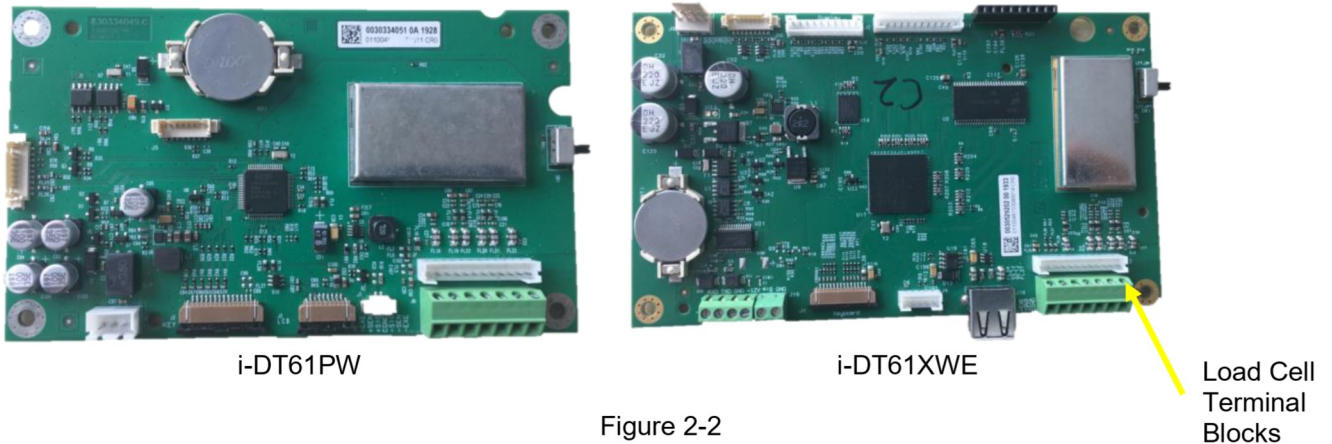
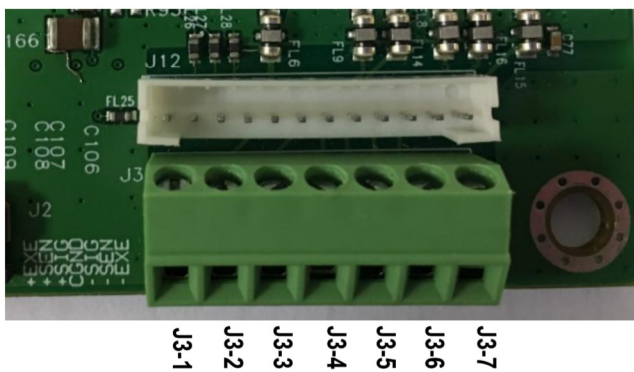


Figure 2-2

Jumper Connections

The i-DT61PW and i-DT61XWE indicators are designed to support both 2mV/V and 3mV/V load cells from the same circuitry. A load cell output rating selection jumper is not required.

Figure 2-3 shows the terminal definitions for the analog load cell terminal blocks. Note that when using four-wire load cells, jumpers must be placed between the +Excitation and +Sense terminals and between the -Excitation and -Sense terminals.



| Pin | Connection |
|------|------------|
| J3-1 | +EXC |
| J3-2 | +SEN |
| J3-3 | +SIN |
| J3-4 | GND |
| J3-5 | -SIN |
| J3-6 | -SEN |
| J3-7 | -EXC |

Figure 2-3 Jumper Connections

After wiring is completed, replace the indicator housing screws. Make sure the water-proof cable gland is properly tightened.

2.3.3 Communication Interface Cable to i-DT61PW

Attach the IR Communication cable (P/N: 30572910) to the indicator front panel, make sure the two holes in the interface cable module match the two bolts which located in the front panel.

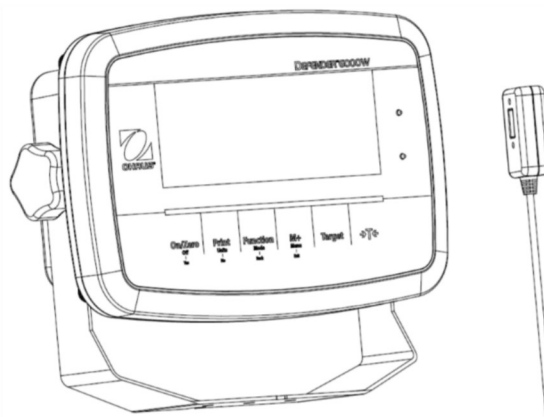


Figure 2-4

2.3.4 RS232 Interface Cable to i-DT61XWE

Pass the optional RS232 cable through the strain relief and attach it to the RS232 connector on the mainboard. Tighten the strain relief to maintain a watertight seal. Please refer to Figure 2-7 for the position of the serial port connector RXD TXD and GND.

Note:

- Please refer to Opening the Housing section for how to open the case of the terminal.
- For details about Discrete Input0 function, please refer to the **Discrete I/O (for i-DT61XWE)** section for details.



Figure 2-5
Strain Relief for Option

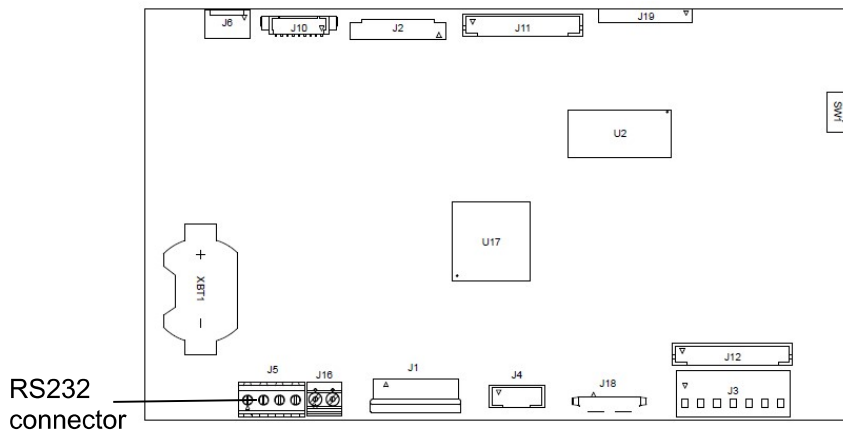


Figure 2-6 RS232 connector on the mainboard

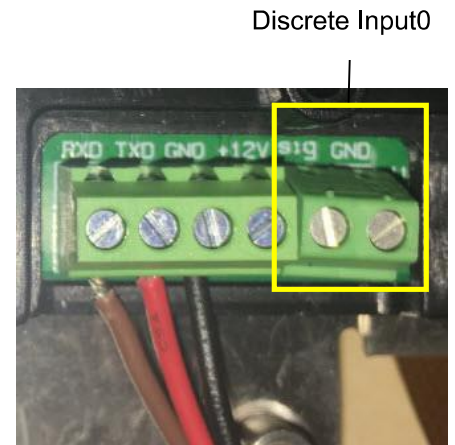


Figure 2-7
RS232 connector

2.4 Mounting Bracket

Attach the bracket to a wall or table using fasteners (not supplied) that are appropriate for the type of mounting surface. The bracket will accommodate up to 6 mm (1/4") diameter screws. Locate the mounting holes as shown in Figure 2-8 and 2-9.

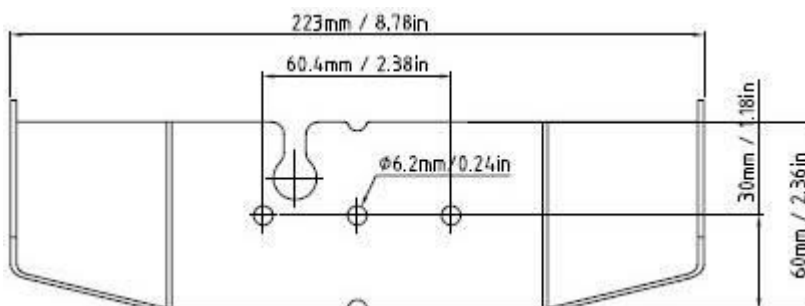


Figure 2-8 i-DT61PW
Mounting Bracket Dimensions

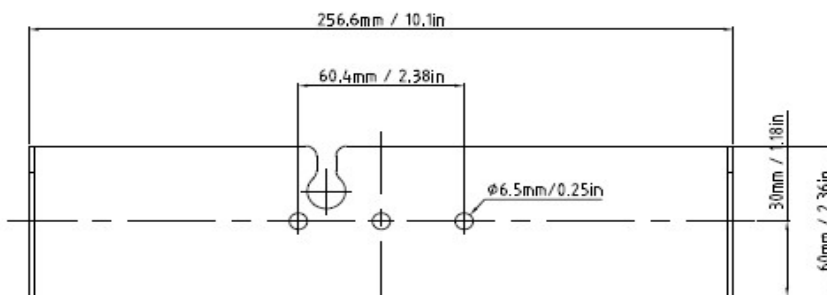


Figure 2-9 i-DT61XWE
Mounting Bracket Dimensions

3. OPERATION

3.1 Turning the Scale On/Off

To turn the scale on, press and hold the **On/Zero Off** button for 1 second. The scale performs a display test, momentarily displays the software version, and then enters the active weighing mode.


To turn the scale off, press and hold the **On/Zero Off** button until **OFF** is displayed.

3.2 Weighing Mode

Use this application to determine the weight of items in the selected unit of measure. This mode is the factory default setting.

3.2.1 Enter the Mode and Start Weighing

To enter the weighing mode from any application mode:

1. Press and hold the **Mode** button until **WEIGH** is displayed.
2. If needed, place an empty container on the pan and press the  button to tare.
3. Add sample to the pan or container. The display shows the weight of the sample.

Note: Please refer to the **Check** section for how to use Check in the Weighing mode.

3.2.2 Accumulation and Statistics

The Accumulation feature enables manual or automatic totalizing of displayed values. Statistical data (total accumulated weight, min/max weights, pieces, percent, and total number of samples) is stored in memory for review and printing. Accumulation works together with each application mode except Filling, but the accumulation data will be cleared when change to another mode.

3.2.2.1 Settings

There are four accumulation options:

- Off (**OFF**): disable accumulation function.
- Manual (**MANUAL**): press the **M+** button to do accumulation manually.
- Auto (**AUTO**): the scale will perform accumulation automatically.
- Accept (**ACCEPT**): the scale will perform accumulation automatically in the **Check** mode when the weight on the pan is acceptable between the under and over value you set.

To set accumulation options:

1. Long press the **Menu** button until you see **C.A.L.**
2. Short Press the **No** button one time. When you see **S.E.T.U.P.**, press the **Yes** button.
3. Short Press the **No** button several times to navigate until you see **ACCUM**. Press the **Yes** button.
4. Short Press the **No** button several times to select the accumulation option you want. The four options have been introduced above. Then press the **Yes** button to confirm.
5. Press the **Exit** button to exit.

3.2.2.2 Accumulation

Manual

Place the item on the scale and press the **M+** button to add the weight to accumulation. The Σ pointer will keep flashing until the weight is removed and the platform is stable.

Auto


Place the item on the scale. The displayed value is accumulated automatically. The Σ pointer will keep flashing until the weight is removed and the platform is stable.

Accept

Place the item on the scale in check mode. The displayed value is accumulated automatically when the weight is acceptable between the under and over value you set.

3.2.2.3 Viewing and Clearing Statistical Data

When the pan is cleared, press the **M+** button to view the accumulation and statistics results.

To clear the accumulation data, press the **CLR** button on i-DT61XWE terminal or the  button on i-DT61PW terminal while the statistical information is displayed. When the display shows **CLR.ACC**, press the

Yes button to clear the stored data and return to current mode.

Notes:

- The item must be removed from the pan before the next item can be accumulated.
- Only stable weights are stored.
- Changing modes will clear the stored accumulation data.
- When Legal for Trade is turned ON, for NTEP, gross and net weight cannot be added to the same total. If the first weight is recorded in gross, the future ones should be recorded in the same way. It is the same for net weight.

3.2.3 Check

Use this application to compare the weight of items to a target weight range. This mode is available for Weighing, Counting, Percent, and Dynamic.

3.2.3.1 Set Check Limits

i-DT61PW

1. Press the **Target** button from Weighing, Counting, Percent or Dynamic mode to set check limits.
2. The display shows **Under**.
3. Press the **Yes** button to edit the under value.
4. If there is a stored under value of the last time, the display will show it. For example: 1.0kg.
 - Press the **Yes** button if you want to use this value. Then the display shows **Over**.
 - Press the **No** button if you do not want to use this value, and skip to step 6.
5. If there is no stored value, the display shows **000000**.
6. To set a new under value, short press the **No** button several times until the desired number appears. Short press the **Yes** button to accept the number and move to the next digit. Repeat the process until all the digits are correct. Press the **Yes** button to accept the value. Then the display shows **Over**.
7. Repeat step 2 to 6 to set the over value.
8. If the values you set are invalid, the display will show **--n0--** and go back to reset.
9. If the values you set are valid, the display will go to check weighing screen.

i-DT61XWE


1. Press the **Target** button from Weighing, Counting, Percent or Dynamic mode to set check limits.
2. The display shows **Under**.
3. Press the **Yes** button to edit the under value.
4. If there is a stored under value of the last time, the display will show it.
 - Press the **Yes** button if you want to use this value.
 - Press the **No** button if you do not want to use this value or do not have a stored value. Input the needed one with the numeric keypad. Press the **Yes** button to accept the under value.
5. The display will show **Over**.
6. Repeat step 2 and 3 to set the over value.
7. If the values you set are invalid, the display will show **--n0--** and go back to reset.
8. If the values you set are valid, the display will go to check weighing screen.

3.2.3.2 Positive Check

Positive check is used to determine when the material added to the scale is within the target range. In this case the under and over values must be positive values. (The over value must be greater than the under value.) Add material to the scale platform until the display shows it is within the Accept (green) range.


3.2.3.3 Negative Check

Negative check is used to determine when the material removed from the scale is within the target range. In this case the under and over values are both negative values. The under value must be greater than the over value. (For example: the under value is -10; the over value is -15).

Place the item to be weighed on the scale and press the  button.
Remove a portion of the item until it is within the acceptable range.


3.2.3.4 Zero Check

Zero check is used when comparing subsequent samples to an initial reference sample. In this case, the under value must be a negative value and the over value must be a positive one.

Place the reference item on the scale and press the  button.
Remove material from the scale platform until the display shows it is within the Accept (green) range.

3.2.3.5 Clear Check Limits

Long press the **Target** button until the display shows the under and over values.

Press the **CLR** button of i-DT61XWE indicator or the  button of i-DT61PW indicator, the display shows **CLr.CHr**. Press the **Yes** button to clear both the under and over values.

3.2.4 Application Settings

The application can be customized for user preferences.

To enter application settings:

1. Long press the **Menu** button until you see **C.R.L**. Short press the **No** button several times until you see **00.0.d.E**. Press the **Yes** button to enter the application mode settings.
2. Short press the **No** button several times to navigate until you see the selection you want.
3. Press the **Yes** button to select.
4. Repeat step 2 and 3 several times until you finish all settings.
5. Press the **Exit** button to exit.

The Weighing Configurations are defined below (defaults in Bold).

| Item | Available Settings | Comments |
|-----------------------------|--------------------|--------------------|
| Weighing (LWE IGH) | On, Off | To enable Weighing |

Note: you cannot disable Weighing if you are in the mode currently.

3.3 Counting Mode

Use this application to count samples of uniform weight.

3.3.1 Enter the Mode

To enter the mode:


1. Press and hold the **Mode** button until **COUNT** is displayed.
2. When the **Mode** button is released, the display shows **CLR.PWJ**.
3. If you need to clear the stored APW of the last time, press the **Yes** button. Then go to **Establish an APW** section.
Note: if the weight on the pan is larger than 1d, the display will show **CLR.PAN** until the weight is removed from the pan.
4. If you need to recall the stored APW of the last time and continue to use it, press the **No** button to start counting.
Note: if no APW has been set before, step 3 and 4 will be omitted.

3.3.2 Establish an APW

To establish an APW:

1. Follow the previous step 4.
 - **i-DT61PW:**
The display shows the sample size **Pwt. 10**. To change it, short press the **No** button several times until you see the value you want.
Note: available sample size selections are 5, 10, 20, 50 and 100 (The default is 10).
 - **i-DT61XWE:**
The display flashes with the current sample size, such as 10 Pcs. To change it, input the new sample size through the numeric keyboard. Do not press the **Yes** button until you finish the next step.
2. Place the specified quantity of samples on the pan and press the **Yes** button to capture the current stable weight.

Note:

- During the capture process, the display shows - - - - -. (i-DT61PW)
- You can press the  button to tare. The center of zero, PT or NET icons will light as appropriate.
- If the APW is between 0.1d and 1d, the display shows **LD.rEF** for 1.5 seconds. Then it will start counting.
- If the APW is less than 0.1d, the display shows **rEF.Err** for 1.5 seconds and then return to showing what is displayed on step 1. Please replace the samples on the pan and press the **Yes** button to re-establish an APW value.

3.3.3 Start Counting

1. Place parts on the pan and read the number. The number of pieces and the Pcs icon are displayed.
2. Press the **Function** button to temporarily display the APW. **APWJ** is displayed for 0.5 seconds. Then the APW value is displayed for 1.5 seconds using the current unit of measurement.

Note: Please refer to **Check** in the **Weighing Mode** section for how to use Check in the Counting mode.

3.3.4 Application Settings

The application can be customized for user preferences. Please refer to **Application Settings** section in **Weighing Mode** for details about how to enter application settings.

The Counting Configurations are defined below (defaults in Bold).

| Item | Available Settings | Comments |
|----------------------------|--------------------|---|
| Count (COUNT) | On , Off | To enable Counting |
| Auto Opt. (A.OPE) | On , Off | Off: Auto Opt. is off. On: The APW will be optimized automatically during count weighing. |

Note: you cannot disable Count if you are in the mode currently.

3.4 Percent Mode

Use this application to measure the weight of a sample displayed as a percentage of a pre-established reference weight.

3.4.1 Enter the Mode

To enter the percent mode from any application mode:


1. Press and hold the **Mode** button until **PERCENT** is displayed.
2. When the **Mode** button is released, the display shows **CLR.REF** and the % icon.
3. If you need to clear the stored reference weight of the last time, press the **Yes** button. Then go to step 5.
Note: If captured weight is more than or equal to 1d or is less than or equal to -1d, the display will show **CLR.PAN** until the sample is removed from the pan.
4. If you need to recall the stored reference weight of the last time and continue to use it, press the **No** button and start percent weighing.
Note: If no reference weight has been previously stored, step 3 and 4 will be omitted.
5. The display shows the **PUL.REF** and the % icon.

3.4.2 Establish a Reference Weight

To establish a reference weight:

Follow the previous step 5. When you see **PUL.REF** displayed on the screen, place the specified quantity of samples on the pan and press the **Yes** button to capture the current stable weight.

Note:

- You can press the  button to tare. The center of zero, PT or NET icons will light as appropriate.
- For i-DT61PW model, during the capture process, the display shows - - - - -.
- If the reference weight is less than 100d during the capture process, the display will show **REF.Err** for 1.5 seconds and then return to showing **PUL.REF**. Please replace the samples on the pan and press the **Yes** button to re-establish a reference weight.

3.4.3 Start Percent Weighing

1. Place a sample on the pan and read the percent. The current percent value and % icon are displayed.
2. Press the **Function** button to temporarily display the reference weight. **REF.Wgt** is displayed for 0.5 seconds. Then the reference weight value is displayed for 1.5 seconds in the current unit of measurement.

Note: Please refer to **Check** in the **Weighing Mode** section for how to use Check in the Percent Weighing mode.

3.4.4 Application Settings

The application can be customized for user preferences. Please refer to **Application Settings** section in **Weighing Mode** for details about how to enter application settings.

The Percent Weighing Configurations are defined below (defaults in Bold).

| Item | Available Settings | Comments |
|----------------------------|--------------------|----------------------------|
| Percent (PERCENT) | On , Off | To enable Percent Weighing |

Note: you cannot disable Percent if you are in the mode currently.

3.5 Dynamic Mode

Use this application to weigh an unstable load, such as a moving animal.

3.5.1 Enter the Mode

To enter the Dynamic Weighing Mode from any application mode:

1. Press and hold the **Mode** button until **ԺԿՈՐՐԴ** is displayed.
2. The display shows **ԻԷՐՁԿ**.

3.5.2 Start Dynamic Weighing

1. To start:
 - When operation type is manual. Place the load (more than or equal to 5d) on the pan and press the **Function** button to start the averaging process.
 - When operation type is semi-automatic/automatic. Place the load (more than or equal to the Start Weight) on the pan, and the terminal will start averaging process automatically
Note: The display must be at zero gross or net value before placing the load on the pan.
2. During the averaging period, the countdown timer decreases in one second increments (For example, the set average time is 5s).
Note: If the set average time is 0s, the countdown timer is not displayed.
3. The readings are averaged and held on the display when the countdown has completed in both Countdown and Continuous mode.
 In addition, for DT61XWE model:
 - The tilde symbol will blink indicating that the current weight is being held in Countdown Mode.
 - The tilde symbol will blink indicating that the current weight is being averaged in real time in Continuous Mode.
Note: If the set average time is 0s, the first weight larger than 5d will be displayed and hold.
4. To reset the countdown timer:
 - When the operation type is manual/semi-automatic, press the **Function** button to reset the countdown timer when the countdown is running. The display shows **ԻԷՐՁԿ**, and start to re-count.
 - When operation type is automatic, remove the load from the pan, and the average weight will still be displayed until the duration time is over. Then the display shows **ԻԷՐՁԿ**, and start to re-count.
Note:
 - The **ԻԷՐՁԿ** display must be at zero gross or net value in order to reset the countdown timer.
 - Please refer to **Check** in the **Weighing Mode** section for how to use Check in the Dynamic Weighing mode.

3.5.3 Application Settings

The application can be customized for user preferences. Please refer to **Application Settings** section in **Weighing Mode** for details about how to enter application settings.

The Dynamic Weighing Configurations are defined below (defaults in Bold).

| Item | Available Settings | Comments |
|----------------------------------|---|--|
| Dynamic Mode (ԺԿՈՐՐԴ) | Countdown (Հ.ԺՅԼՆԴ) / Continues (ՀՅՈՒԷ)/ Off (ՕԲԲ) | Count down: There is a countdown time. Continuous: Averaging will be continued after the countdown time. |
| Dynamic Operation Type (Ժ.ԷԿՄԲԷ) | Manul (ԲԴՐՐՐ) / Semi-auto (ՏԷՐԴԴ Ի)/ Auto (ԲԱԷՕ) | Manual: The averaging process is started and reset manually. Semi-auto: The averaging process is started automatically and reset manually. Auto: The averaging process is started and reset automatically. |
| Start Weight (Տ.ԼՆՄԵԷ) | 0 ~ Capacity Weight | Dynamic weighing will start when the load is bigger than the start weight (for Semi-auto and Auto mode). |
| Duration Time (Ժ.Է ԻՐԴԷ) | 1 ~ 10 s | It is the time for the display to remain the dynamic weighing result after the load is removed. |
| Average Time (Բ.Է ԻՐԴԷ) | 0 ~ 30 s | Time in Seconds. If the average time is 0, the first stable weight (more than or equal to 5d) will be the result. |

Note: you cannot disable Dynamic if you are in the mode currently.

3.6 Filling Mode

Use this application to fill a container to a pre-determined target weight.

Note: filling mode is only available for i-DT61XWE model.

3.6.1 Enter the Mode

To enter the Filling mode from any application mode:

1. Press and hold the **Mode** button until **F LL** is displayed.
2. The actual weight is displayed on the display.

3.6.2 Start Filling

1. When the scale is in stop or pause status, press the **Function** button to start filling process. The output port will be enabled.
2. Add weight on the pan. When one set point (SP1/SP2/SP3/SP4) is reached, the related output port will be disabled.
3. When the scale is in start or pause status, press the **Function** button to stop filling process. The output port will be all disabled.

3.6.3 Resume and Pause Filling

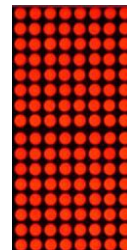
1. When the scale is in pause status, press the **Target** button to resume the filling process. The output port will be enabled or disabled according to the current load value.
2. When the scale is in start status, press the **Target** button to pause the filling process. The output port will be all disabled, and the display will be frozen.

3.6.4 Display of the Dot Matrix Screen

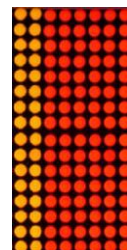
The Dot Matrix Display will be divided into one to four columns according to how many set points (SP) are valid. The maximum is four columns. For example, if you set four SPs, then the screen will be divided into four columns. In addition, the screen will display different colors according to the load value.

For example:

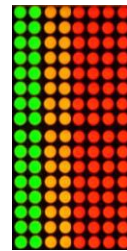
1. You set four valid SP values and SP1 is less than SP2, SP2 less than SP3, SP3 less than SP4. Then the screen will be divided into four columns.



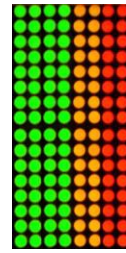
2. To start filling, if the first load is less than SP1, the first column displays orange, and others red.



3. If continue to fill the second time, and the total load is now more than or equal to SP1 while less than SP2, the first column displays green, the second orange, and others red.



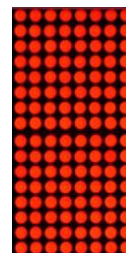
- 4. After that to fill the third time, if the total load is now more than or equal to SP2 while less than SP3, the first two columns display green, the third orange, and others red.



- 5. To load the fourth time, if the total load is now more than or equal to SP3 while less than SP4, the first three columns display green, and the fourth one orange.



- 6. Nevertheless, if the total load is more than SP4, all the four columns turn red and the instrument will be in a stop state.



3.6.5 Application Settings

The application can be customized for user preferences. Please refer to **Application Settings** section in **Weighing Mode** for details about how to enter application settings.

The Filling Configurations are defined below (defaults in Bold)

| Item | Available Settings | Comments |
|--------------------------|--------------------|----------------------------|
| Filling (F ILL) | On , Off | To enable Filling Weighing |

Note: you cannot disable Filling if you are in the mode currently.

4. MENU SETTINGS

The User Menu allows the customizing of scale settings.

Note: Additional Sub-Menus may be available if Interface Options are installed. See Interface User Manual for the additional setting information.

4.1 Menu Navigation

4.1.1 User Menu

For i-DT61PW model

| C.A.L | S.E.t.U.P | r.E.A.d | ŃŃ.O.d.E | U.n. t.t | G.ŃŃ.P | A.S.2.3.2 | P.r. I.N.t | L.o.c.t | E.n.d |
|---------|-----------|----------|----------|----------|--------|-----------|------------|-----------|-------|
| ZE-rD | rESEt | rESEt | rESEt | rESEt | rESEt | rESEt | rESEt | rESEt | |
| SPAN | C.UN t.t | StAbLE | WJE IGH | kg | d.FŃŃt | bAUd | ASS IGH | L.ALL | |
| L INE | CAP | ZE-rD | COUNt | g | dAtE | PAR t.tY | StAbLE | L.OFF | |
| GEO | GrAd | F ILtEr | A.OPt | lb | t.FŃŃt | StOP | ŃŃOdE | L.ZE-rD | |
| C.t.ESt | P.ZE-rD | A2t | PE-rCŃt | oz | t IŃŃE | H.SHAtE | t IŃŃE | L.Pr t.tE | |
| End | P.UN t.t | b.L IGHt | dYŃŃŃŃ | lb;oz | P. Id | ALt.P | C.SUŃŃ | L.UN t.t | |
| | A.tArE | S.SAUer | d.tYPE | End | S. Id | ALt.t | tEŃŃŃ | L.ŃŃOdE | |
| | ACCUMŃ | A.OFF | d.t IŃŃE | | End | ALt.2 | End | L.ŃŃENU | |
| | t.CŃt | P.SAUER | A.t IŃŃE | | | End | | L.tArE | |
| | t.AEHt | End | End | | | | | L.tArGE | |
| | End | | | | | | | End | |

For i-DT61XWE model

| C.A.L | S.E.t.U.P | r.E.A.d | ŃŃ.O.d.E | U.n. t.t | G.ŃŃ.P | A.S.2.3.2 | P.r. I.N.t | I.O. | L.o.c.t | L. I.b | U.S.E.r | U.S.b | E.n.d |
|---------|-----------|---------|----------|----------|--------|-----------|------------|---------|-----------|--------|---------|-------------|-------|
| ZE-rD | rESEt | rESEt | rESEt | rESEt | rESEt | rESEt | rESEt | rESEt | rESEt | ŃEŁŁ | ŃEŁŁ | rESEt | |
| SPAN | C.UN t.t | StAbLE | WJE IGH | kg | d.FŃŃt | bAUd | ASS IGH | tYPE | L.ALL | Ed t.t | Ed t.t | tYPE | |
| L INE | r-ANGE | ZE-rD | PE-rCŃt | g | dAtE | PAR t.tY | StAbLE | INPUt 1 | L.OFF | End | End | E.ŃŃENU | |
| GEO | CAP 1 | F ILtEr | dYŃŃŃŃ | lb | t.FŃŃt | StOP | ŃŃOdE | INPUt2 | L.ZE-rD | | | I.ŃŃENU | |
| C.t.ESt | GrAd 1 | A2t | d.tYPE | oz | t IŃŃE | H.SHAtE | t IŃŃE | OUt 1 | L.Pr t.tE | | | E.L I.b | |
| End | CAP2 | L IGHt | S.tUt | lb;oz | P. Id | ALt.P | C.SUŃŃ | OUt2 | L.UN t.t | | | I.L I.b | |
| | GrAd2 | S.SAUer | d.t IŃŃE | End | S. Id | ALt.t | tEŃŃŃ | OUt3 | L.FUNC | | | E.USER | |
| | P.ZE-rD | A.OFF | A.t IŃŃE | | End | ALt.2 | End | OUt4 | L.ŃŃOdE | | | I.USER | |
| | P.UN t.t | L.tEY | F ILL | | | End | | End | L.ŃŃENU | | | LEŃGt.H | |
| | A.tArE | End | End | | | | | | L.tArE | | | S.d IGH t.t | |
| | ACCUMŃ | | | | | | | | L.tArGE | | | | |
| | t.bEEP | | | | | | | | End | | | | |
| | t.CL IGHt | | | | | | | | | | | | |
| | bP.S IGH | | | | | | | | | | | | |
| | L.S IGH | | | | | | | | | | | | |
| | I.r.FUNC | | | | | | | | | | | | |
| | I.r.RdJ | | | | | | | | | | | | |
| | t.CŃt | | | | | | | | | | | | |
| | t.AEHt | | | | | | | | | | | | |
| | PŁŁd.EN | | | | | | | | | | | | |
| | PŁŁd | | | | | | | | | | | | |
| | End | | | | | | | | | | | | |

Notes:

Some modes/units may not be available in all models.

When LEGAL FOR TRADE is turned **ON** (the lock switch is in the locked position), the menu settings will be affected as below:

- Calibration (**C.A.L**) menu is not accessible.

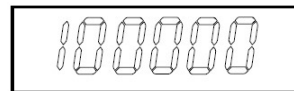
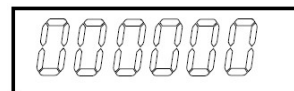
- Zero Range setting is locked at 2%.
- Stable Range setting is locked at 1d.
- Auto-Zero Tracking setting is locked at 0.5d.
- Filter and Units are locked at their current settings.
- Stable Only is locked to be **On**.
- Auto Print/Continuous is disabled.
- Lb;oz unit is locked Off.

4.1.2 Button Navigation

- The **Yes** button: allows entry into the displayed menu.
Accepts the displayed setting and advances to the next item.
- The **No** button: rejects entry into the displayed menu.
Rejects the displayed menu and move on to the next selection.
- The **Back** button: moves backwards through the upper and middle level menus.
Backs out of a list of selectable items to the previous middle level menu.
- The **Exit** button: exits from menu directly to the active weighing mode.

For menu items with numeric settings such as Capacity, the current setting is displayed with all digits flashing. To revise:

1. Press the **No** button to begin editing.
2. The first digit is displayed flashing.
3. Press the **No** button to increase the digit or press the **Yes** button to accept the digit and move to the next one.
4. Repeat this process for all digits.
5. Press the **Yes** button when the last digit has been set.
6. The new setting is displayed with all digits flashing. Press the **Yes** button to accept the setting or press the **No** button to resume editing.
7. To end the current menu selection, press the **Yes** button to advance to the next menu, or press the **No** button to return to the top of the current menu.



Note: For i-DT61XWE model, the numeric value can be input by the numeric keypad directly.

4.2 Calibration Menu

Enter this menu to perform calibrations.

4.2.1 Initial Calibration

When the scale is operated for the first time, a zero and span calibration are recommended to ensure accurate weighing results.

Before performing the calibration, be sure to have the appropriate calibration weights as listed in table 4-1. Ensure that the LFT switch/calibration lock is set to the unlocked position.

Or adjust the GEO setting according to your location.

TABLE 4-1

| Required Span Calibration Mass (sold separately) | | | |
|--|------------|---------|---------------|
| Max | Mass* | Max | Mass* |
| 3000g | 3kg / 5lb | 30000g | 30kg / 50lb |
| 6000g | 6kg / 10lb | 60000g | 60kg / 100lb |
| 15000g | 15kg/25lb | 150000g | 150kg / 250lb |

Note:

- When active unit is g or kg, the calibrating unit will be in kg.
- When active unit is lb, oz or lb:oz, the calibrating unit will be in lb.
- For linearity calibration, the calibration Mass is fixed. The Mid-point is always half of the full capacity.

4.2.2 Zero Calibration [ZE-0]

Zero calibration uses one calibration point. The zero calibration point is established with no weight on the scale. Use this calibration method to adjust for a different static load without affecting the span or linearity calibration.

Calibration procedures:

1. Long press the **Menu** button until you see **C.A.L.**. Press the **Yes** button.
2. The display shows **ZE-0**. Press the **Yes** button.
3. The display flashes **0** kg and the calibration unit. With no weight on the pan, press the **Yes** button to establish the zero point.
4. The display shows **--C--**, and then **-DONE-** when the Zero calibration is finished.

Note:

If zero calibration is failed or if after 40 seconds the calibration is still not successful, **CAL E** is displayed for 3 seconds and the previous calibration data is restored. The scale exits to the active weighing mode and displays the actual weight value in the current weighing unit.

5. Then the display shows **SPAN**. Press the **Exit** button to exit.

4.2.3 Span Calibration [SPAN]

Span calibration uses one point. The span calibration point is established with a calibration mass placed on the scale.

Note: Span calibration should be performed after zero calibration.

Calibration procedures:

1. Long press the **Menu** button until you see **C.A.L.**. Press the **Yes** button.
2. Short press the **No** button to navigate until you see **SPAN**. Press the **Yes** button.
3. The display flashes with the calibration point and calibration unit based on the capacity and unit set in the capacity menu. (e.g. **030.000** kg). If you do not need to change the calibration point, skip to step 5.
4. To change the calibration point:
 - i-DT61PW: short press the **No** button several times until the desired digit appears. Short press the **Yes** button to accept the digit and move to the next one. Repeat the process until all the digits are correct. Press the **Yes** button to accept the calibration point. The display flashes with the calibration point you set.
 - i-DT61XWE: input the calibration point through the numeric keys. (Do not press the **Yes** button until you finish step 5.)
5. Place a calibration mass of the specified weight on the pan and press the **Yes** button.

6. The display shows **--[]--**, and then **-DONE-** when the calibration is finished.
7. Then the display shows **L []**. Press the **Exit** button to exit.

Note:

- If calibration is failed, **CAL E** is displayed for 3 seconds and the previous calibration data is restored. The scale exits to the active weighing mode and displays the actual weight value in the current weighing unit.
- If after waiting for 40s the calibration is still not successful, **CAL E** is displayed for 3 seconds and the previous calibration data is restored. The scale exits to the active weighing mode and displays the actual weight value in the current weighing unit.

4.2.4 Linearity Calibration [L []]

Linearity calibration uses 3 calibration points. The full calibration point is established with a weight on the scale. The mid calibration point is established with a weight equal to half of the full calibration weight on the scale. The zero calibration point is established with no weight on the scale. The full calibration and mid calibration points can be altered by the user during the calibration procedure.

Calibration procedures:

1. Long press the **Menu** button until you see **C.A.L.** Press the **Yes** button.
2. Short press the **No** button several times to navigate until you see **L []**. Press the **Yes** button.
3. The display flashes with **0 kg** and the calibration unit. With no weight on the pan, press the **Yes** button to establish the zero point.
4. The display shows **--[]--**, and then moves to flash with the first calibration point and calibration unit based on the capacity and unit you set in the capacity menu. (For example, **0 15.000 kg**). If you do not need to change the calibration point, skip to step 6.
5. To change the calibration point:
 - i-DT61PW: short press the **No** button several times until the desired digit appears. Short press the **Yes** button to accept the digit and move to the next one. Repeat the process until all the digits are correct. Press the **Yes** button to accept the calibration point. The display flashes with the calibration point you set.
 - i-DT61XWE: input the calibration point through the numeric keys. (Do not press the **Yes** button here until you finish step 6).
6. Place a calibration mass of the specified weight on the pan and press the **Yes** button.
7. The display shows **--[]--**, and then moves to flash with the second calibration point and calibration unit based on the capacity and unit you set in the capacity menu. (For example, **030.000 kg**).

Note:

If after waiting for 40s the calibration is still not successful, **CAL E** is displayed for 3 seconds and the previous calibration data is restored. The scale exits to the active weighing mode and displays the actual weight value in the currently selected weighing unit.

8. Repeat step 5 and 6.
9. The display shows **--[]--**, and then **-DONE-** when the Linearity calibration is finished.
10. Then the display shows **GEO**. Press the **Exit** button to exit.

4.2.5 GEO Adjustment [GEO]

Geographical Adjustment Factor (GEO) is used to adjust the calibration based on the current location. Settings from 0 to 31 are available with 12 being the default.

Please refer to the **Table of Geo Values** section in the **Technical Data** chapter to determine the GEO factor that corresponds to your location.

To set the GEO factor:

1. Long press the **Menu** button until you see **C.A.L.** Press the **Yes** button.
2. Short press the **No** button several times to navigate until you see **GEO**. Press the **Yes** button.
3. The display flashes with the Geo point (For example, **12**).
4. Short press the **No** button several times until the desired GEO number appears. Press the **Yes** button to finish setting.
5. Then the display shows **C.tESEt**. Press the **Exit** button to exit.

4.2.6 Calibration Test [C.L.E5t]

Calibration test procedures:

1. Long press the **Menu** button until you see **C.A.L.** Press the **Yes** button.
2. Short press the **No** button several times to navigate until you see **C.L.E5t**. Press the **Yes** button.
3. The display flashes with **0** and the calibration unit based on the capacity and unit you set in the capacity menu. With no weight on the pan, press the **Yes** button to establish the zero point.
4. The display shows **--t--** while the zero point is recorded.
5. The display flashes with the calibration weight and the unit of the last time. (For example, **0 15.000** kg).
6. To change the test calibration weight:
 - i-DT61PW: short press the **No** button several times until the desired digit appears. Short press the **Yes** button to accept the digit and move to the next one. Repeat the process until all the digits are correct. Press the **Yes** button to accept the calibration point.
 - i-DT61XWE: press the numeric keys to edit the weight. (Do not press the **Yes** button here until you finish step 7).
7. Place the specified test weight on the pan and press the **Yes** button.
8. The display flashes with the difference between the calibration data and the test weight. (For example, **0.0 10** kg). If the terminal is connected to a printer or other devices, the result of the Calibration Test will be printed.
9. After 5 seconds, the test ends and the scale returns to the active weighing mode with the display of the current weight.

4.2.7 End Cal [End]

When **End** is displayed, press the **Yes** button to exit this menu and advance to the next Sub-menu or press the **No** button to advance to the first menu item in the this Sub-menu.

4.3 Setup Menu

Enter this menu **5.E.t.U.P** to set scale parameters. Default settings are in **bold**.

For i-DT61PW model

| Menu | Sub-Menu | Sub-Menu (in segment) | Options | Options (in segment) |
|--------------------|---------------------|-----------------------|---------------------------------------|----------------------------------|
| Setup 5.E.t.U.P | Reset | rESEt | no, yes | NO, YES |
| | Capacity Unit | C.UNt | kg, lb, t, g | / |
| | Capacity | CAP | 1-999999 | / |
| | Graduation | GrAd | 0.0001~100 | / |
| | Power On Zero | P.ZEr0 | Off, On | OFF, ON |
| | Power On Unit | P.UNt | Auto , g, kg, lb, oz, lb:oz, t | AUTO |
| | Auto Tare | A.tArE | Off , On, Accept | OFF, ON, ACCEPT |
| | Accumulation | ACCUM | Off , Auto, Manual, Accept | OFF, MANUAL, AUTO, ACCEPT |
| | Transaction Counter | t.CNt | Off, On | OFF, ON |
| | Next Transaction | t.NEXt | 1-999999 | / |
| | End | End | \ | / |

For i-DT61XWE model

| Menu | Sub-Menu | Sub-Menu (in segment) | Options | Options (in segment) |
|--------------------|-------------------------------|-----------------------|--|--|
| Setup 5.E.t.U.P | Reset | rESEt | no, yes | NO, YES |
| | Capacity Unit | C.UNt | kg, lb | / |
| | Range | r.RANGe | Single , Dual | SINGLE, DUAL |
| | > 1 < Capacity | CAP1 | 1-999999 | / |
| | > 1 < Graduation | GrAd1 | 0.0001~100 | / |
| | > 2 < Capacity [Range=Dual] | CAP2 | 1-999999 | / |
| | > 2 < Graduation [Range=Dual] | GrAd2 | 0.0001~100 | / |
| | Power On Zero | P.ZEr0 | Off, On | OFF, ON |
| | Power On Unit | P.UNt | Auto , g, kg, lb, oz, lb:oz | AUTO |
| | Auto Tare | A.tArE | Off , On, Accept | OFF, ON, ACCEPT |
| | Accumulation | ACCUM | Off , Auto, Manual, Accept | OFF, MANUAL, AUTO, ACCEPT |
| | Key Beep | t.bEEP | Off, On | OFF, ON |
| | Key Click Type | t.CLt | single , double | SINGLE, DOUBLE |
| | Check beep signal | bP.SIG | off , under, over, accept, under-over | OFF, UNDER, OVER, ACCEPT, UN-OV |
| | Check light signal | L.SIGN | block , bar, segment | BLOCK, BAR, SEGMENT |
| | IR Func | Ir.FUNC | Disp , Zero, Tare, Print | DISP, ZEr0, tArE, PrINt |
| | IR Adjust | Ir.AdJ | OFF, LOW, HI | OFF, LOW, HI |
| | Transaction Counter | t.CNt | Off, On | OFF, ON |
| | Next Transaction | t.NEXt | 1-999999 | / |
| | PasswordEnable | P.Wd.EN | Off , On | OFF, ON |
| End | End | \ | / | |

Reset [rESEt]

Reset the Setup menu to factory defaults.

no = do not reset

YES = reset

Capacity Unit [C.UN tE]

Select the unit used for calibration.

t (Metric Tonne)

g

kg

lb

Note: t and g are not available for i-DT61XWE model.

Range [rRNGE]

Note: This setting is only available for i-DT61XWE model.

Set the number of weighing intervals.

This terminals can be configured to use single or dual interval. Each interval can be assigned its own graduation. If dual interval is selected, the graduation will change when the weight reaches the second interval.

When **Single** interval is selected, the additional parameters available are:

>|1|< Capacity

>|1|< Graduation

When **Dual** interval is selected, the terminal functions with two intervals, each with its own capacity and graduation. In addition to the Interval 1 capacity and graduation parameters, the following two parameters are available:

>|2|< Capacity

>|2|< Graduation

Capacity [CAP] / Capacity1 [CAP 1]

Set the capacity of the scale or the capacity of the first scale (for i-DT61XWE model).

1...999999

Grad [GRAd] / Grad1 [GRAd 1]

Set the scale readability or the readability of the first scale for i-DT61XWE model from 0.0001 to 100.

0.0001~100

Capacity2 [CAP2]

Set the capacity of the second scale for i-DT61XWE model.

Grad2 [GRAd2]

Set the readability of the second scale for i-DT61XWE model.

Power On Zero [P.ZEr0]

Zero the scale at Power On.

OFF = disabled.

ON = enabled.

Power On Unit [P.UN tE]

Set the unit that will be displayed at Power On.

RUt0 = last unit in use when turned off

kg = kilograms

g = grams

lb = pounds

oz = ounces

lb:oz = pound ounces

t = metric tonne (only available for i-DT61PW model)

Auto Tare [A.TARE]

Set the automatic tare functionality.

OFF = automatic tare is disabled.

ON = the first stable gross weight is tared.

ACCEPT = stable gross weights within the acceptable limits are tared (in Check mode).

Accumulation [ACCUM]

Set the accumulation functionality.

OFF = accumulation is disabled.

AUTO = perform accumulation automatically.

MAN = perform accumulation manually.

ACCEPT = perform accumulation when weights are within the acceptable limits (in Check mode).

Note: For details about accumulation, please refer to **Accumulation and Statistics in Weighing Mode** section.

Transaction Counter [T.CNT]

The transaction counter is a seven-digit counter that tracks the total transactions. When the value reaches 9,999,999, the next transaction causes a roll-over to 0000001.

OFF = the transaction counter will not increase.

ON = the transaction counter will increase with the additional menu item Next Transaction available.

Note: If the transaction counter is set to be ON, the count number will increase when press the **Print** button.

Next Transaction Counter [T.NEXT]

Set the value of the next transaction displays in the Next Transaction field.

1~999999

Key Beeper [T.BEEP]

Set whether the beeper is enabled when a button is pressed.

OFF = no sound

ON = sound

Note: This setting is only available for i-DT61XWE model.

Key Click Type [T.CL ICT]

SINGLE = single click the button to execute operation.

DOUBLE = double click the button to execute operation.

Note: This setting is only available for i-DT61XWE model.

Beeper Signal [BP.S IG]

Set the condition for beeper sound in Check Weighing mode.

OFF = the beeper is disabled.

UNDER = the beeper sound is enabled when the weight is below the under value you set.

OVER = the beeper sound is enabled when the weight is above the over value you set.

ACCEPT = the beeper sound is enabled when the weight is within the acceptable range you set.

UN-OV = the beeper sound is enabled when the weight is below the under value or above the over value you set.

Note: This setting is only available for i-DT61XWE model.

Check Light signal [L.S IG]

Set how the display shows in Check mode for over, under and acceptable weight.

BLOCK = the light is shown in block.

BAR = the light is shown in bar.

SEGMENT = the light is shown in segment.

Note: This setting is only available for i-DT61XWE model.

IR Function [Ir.FUNC]


Define the operation for the Infrared Radiation Sensor.

ZERO = the scale performs zero operation equal to pressing the **Zero** button.

TARE = the scale performs tare operation equal to pressing the  button.

PRINT = the scale performs print operation equal to pressing the **Print** button.

DISPLAY = turns on the backlight.

Wave you hand before the  icon on the control panel to perform the operation you set.

Note: This setting is only available for i-DT61XWE model.

IR Adjust [Ir.Adj]

Define the response distance of the Infrared Radiation Sensor.

OFF = the IR sensor is disabled.

L0J = the sensor will respond within 50mm/2 inches.

H10H = the sensor will respond within 100mm/4 inches.

Note: This setting is only available for i-DT61XWE model.

Password Enable [PLJd.En]

Define if you need password to enter menu. When is it turned on, you need to input the password each time you enter menu.

OFF = to disable password function.

ON = to enable password function.

Password [PLJd]

This sub-menu will only appear when Password Enable menu is selected to be on.

The display flashes with **_**, input the new password through the numeric keyboard. Press the **CLR** button to change your inputs. Press the **Yes** button when you finish.

End Setup [End]

Advance to the next menu or return to the top of the current menu.

4.4 Readout Menu

Enter this menu to set user preferences. Default settings are in **bold**.

| Menu | Sub-Menu | Sub-Menu (in segment) | Options | Options (in segment) |
|--------------------|--------------------------|-----------------------|--|--|
| Read Out (r.E.R.d) | Reset | rESEt | no, yes | no , YES |
| | Stability | StAbLE | 0.5d, 1d , 2d, 5d | 0.5d , 1d , 2d, 5d |
| | Zero Range | ZErO | 2%, 100% | 2 , 100 |
| | Filter Level | F ILtEr | Low, Medium , High | LOW Med , HIGH |
| | Auto Zero Track | AZt | Off, 0.5d , 1d, 3d | OFF , 0.5d , 1d , 3d |
| | Bright Level (i-DT61XWE) | L IGht | Low, Medium , High | Med , HIGH , LOW |
| | Back Light (i-DT61PW) | b.L IGht | Off , On, Auto | OFF , ON , AUTO |
| | Screen | S.SRvEr | Off, 1min, 2min, 5min (i-DT61PW) Off, 5min, 10min, 30min (i-DT61XW) | OFF , 1 , 2 , 5 (i-DT61PW) OFF , 5 , 10 , 30 (i-DT61XW) |
| | Auto Off | A.OFF | Off , 5min, 10min, 30min | OFF , 5 , 10 , 30 |
| | P.SAVE (i-DT61PW) | P.SAvER | ON , OFF | ON , OFF |
| | L.KEY (i-DT61XWE) | L.kEy | Off , 0.5min, 1min, 2min, 5min | OFF , 0.5 , 1 , 2 , 5 |
| | End | End | \ | |

Reset [rESEt]

Reset the readout menu to factory defaults.

no = do not reset.

YES = reset

Stability [StAbLE]

Set the amount the reading can vary before the stability symbol turns off.

0.5d = 0.5 scale division

1d = 1 scale division

2d = 2 scale division

5d = 5 scale division

Zero [ZErO]

Set the percentage of scale capacity that may be zeroed.

2% = zero range is +/-2%

100% = zero range is +/-100%

Filter [F ILtEr]

Set the amount of signal filtering.

LOW = faster stabilization time with less stability.

Med = normal stabilization time with normal stability.

HIGH = slower stabilization time with more stability.

AZT [AZt]

Set the automatic zero tracking functionality.

OFF = disabled

0.5d = the display will maintain zero until a change of 0.5 divisions per second has been exceeded.

1d = the display will maintain zero until a change of 1 divisions per second has been exceeded.

3d = the display will maintain zero until a change of 3 divisions per second has been exceeded.

Bright Level [L IGHE]

Set the display bright level.

L000 = bright Level is low

0000 = bright Level is medium

0000 = bright Level is high

Note: This setting is only available for i-DT61XWE model.

Backlight [b.L IGHE]

Set the display backlight functionality.

OFF = backlight is disabled.

ON = backlight is enabled.

5000 = backlight is disabled after 5 seconds of no activity.

Note: This setting is only available for i-DT61PW model.

Screen [SCREEN]

Set whether the screensaver is enabled after the selected time period.

For i-DT61PW:

OFF = screensaver is disabled

1 = the screensaver is enabled after 1 minute of no activity.

2 = the screensaver is enabled after 2 minute of no activity.

5 = the screensaver is enabled after 5 minute of no activity.

For i-DT61XWE:

OFF = screensaver is disabled

5 = the screensaver is enabled after 5 minute of no activity.

10 = the screensaver is enabled after 10 minute of no activity.

30 = the screensaver is enabled after 30 minute of no activity.

Lock Key [LKEY]

Set to lock all keys after the selected time period.

OFF = disabled

0.5 = keys are locked after 30 seconds of no activity.

1 = keys are locked after 1 minutes of no activity.

2 = keys are locked after 2 minutes of no activity.

5 = keys are locked after 5 minutes of no activity.

Auto Off [A.OFF]

Set whether the display enters sleep mode after the selected time period.

OFF = disabled

5 = the display enters sleep mode after 5 minute of no activity.

10 = the display enters sleep mode after 10 minute of no activity.

30 = the display enters sleep mode after 30 minute of no activity.

P.SAVE [P.SAVER]

Set whether to enable power saving mode after the scale enters standby mode.

ON = power saving is enabled.

OFF = power saving is disabled.

Note: this setting is only for i-DT61PW model.

End Readout [END]

Advance to the next menu or return to the top of the current menu.

4.5 Unit Menu

Enter this menu **U.U. 1.1** to activate the desired units.

Reset
 Gram (g)
 Kilogram (kg)
 Pound (lb)
 Ounce (oz)
 Pound:Ounce (lb:oz)
 Tonne (t) (only available for i-DT61PW model)
 End

Note:

- Due to national laws, the indicator may not include some of the units listed.
- If the Security Switch is turned on, the Units are locked at their current setting.
- Available units vary by model and local regulations.

4.6 GLP/GMP Menu

Enter this menu to set the Good Laboratory Practice (GLP) or Good Manufacturing Practice (GMP) data.

Reset [**rE5E1**]

If Reset is selected and confirmed, all the submenu value will be set to default.

Data Format [**d.FF7E**]

Set the date format.

MDY [**FFdY**] = Month.Day.Year

DMY [**dFFY**] = Day.Month.Year

YMD [**YFFd**] = Year.Month.Day

Date [**dFE**]

Set the date according to the previous Date Format you set.

For example, you set YMD (Year. Month. Day) for the Date Format, and the data you are going to input is 2020/4/17.

Then set the date as: 20.04.17 (Year. Month. Day)

Time Format [**E.FF7E**]

Set the time format.

24 hr = 24 hour format.

12 hr = 12 hour format.

Time [**E.FF7E**]

Set the time.

24 hour format

00 to 23 = hour position

00 to 59 = minute position

12 hour format:

00 to 12 = hour position

00 to 59 = minute position

For how to input the number of the time, please refer to the following project ID section for details.

Note: for i-DT61XWE model, you cannot use the numeric keyboard to input the time.

Project ID [P. id]

Set the Project identification number.

To set the number, short press the **No** button several times until the desired number appears. Short press the **Yes** button to accept the number and move to the next digit. Repeat the process until all the digits are correct. Press the **Yes** button to accept the value.

For i-DT61XWE model, you can input the Project ID through the numeric keyboard.

Scale ID [5. id]

Set the scale identification.

Please refer to the **Project ID** section about how to set the number.

For i-DT61XWE model, you can input the Scale ID through the numeric keyboard.

End [End]

Advance to the next menu or return to the top of the current menu.

4.7 Communication

Enter this menu to define external communication methods and to set printing parameters.

Data may be output to either a printer or PC.

Factory default settings are shown in bold.

4.7.1 RS232 Menu

Enter this menu to define communication parameters.

Note: 2nd RS232 is only available for i-DT61XWE model.

| Menu | Sub-Menu | Sub-Menu (in segment) | Options | Options (in segment) |
|--|---------------|-----------------------|--|---|
| RS232 (r.5.2.3.2) / 2nd SERIAL PORT (2.5.E.r. 1A) | Baud Rate | bAUd | 300, 600, 1200, 2400, 4800, 9600 , 19200, 38400, 57600 | / |
| | Parity | PAR itY | 7 Even, 7 Odd, 7 None, 8 None | 7 E <u>VEN</u> , 7 O <u>DD</u> , 7 <u>NONE</u> , 8 NONE |
| | Stop Bit | StOP | 1 bit , 2 bit | / |
| | Handshake | H.SHAKE | None , Xon/Xoff | NONE , <u>ONOFF</u> |
| | Alt Print CMD | ALt.P | 'A' ~ 'Z', P | / |
| | Alt Tare CMD | ALt.t | 'A' ~ 'Z', T | / |
| | Alt Zero CMD | ALt.z | 'A' ~ 'Z', Z | / |
| | Reset | rESEt | \ | / |
| End | End | \ | / | |

Reset [rESEt]

Reset the RS232 menu to factory defaults.

n0 = do not reset.

YEs = reset

Baud Rate [bAUd]

Set the baud rate (bits per second).

300 = 300 bps

600 = 600 bps

1200 = 1200 bps

2400 = 2400 bps

4800 = 4800 bps

9600 = 9600 bps

19200 = 19200 bps

38400 = 38400 bps

57600 = 57600 bps

Parity [PARITY]

Set the data bits and parity.

- 7 **EVEN** = 7 data bits, even parity
- 7 **ODD** = 7 data bits, odd parity
- 7 **NONE** = 7 data bits, no parity
- 8 **NONE** = 8 data bits, no parity

Stop bit [STOP]

Set the number of stop bits.

- 1 = 1 stop bits
- 2 = 2 stop bits

Handshake [HANDSHAKE]

Set the flow control method. Hardware handshaking is only available for COM1 menu.

- NONE** = no handshaking
- XON/XOFF** = XON/XOFF software handshaking

Alternate Print command [ALT.P]

Set the alternate command character for Print.

Settings of A (a) to Z (z) are available. The default setting is **P**.

Alternate Tare command [ALT.T]

Set the alternate command character for Tare.

Settings of A(a) to Z(z) are available. The default setting is **T**.

Alternate Zero command [ALT.Z]

Set the alternate command character for Zero.

Settings of A (a) to Z (z) are available. The default setting is **Z**.

End [End]

Advance to the next menu or return to the top of the current menu.

4.7.2 Print Menu

Enter this menu to set printing parameters. Default settings are **bold**.

| Menu | Sub-Menu | Sub-Menu (in segment) | Options | Options (in segment) |
|---|-----------------------------|-----------------------|---|---|
| Print (P.r. 1.0.1.1)/ 2nd Print (P.r. 1.0.1.2) | Assignment | ASSIGN | Demand , Auto On Stable, Auto On Accept, Interval(seconds), MT-Continuous, OH-Continuous, SICS | DEMAND , ON.STAB, ON.ACCEP, INTER, MT-CONT, OH-CONT, SICS |
| | Stable Weight Only [Demand] | STABLE | Off , On(LFT Force On) | OFF , ON |
| | Mode [Auto On Stable] | MODE | Load , Load and Zero | LOAD , LOAD:Zr |
| | Time [Interval (seconds)] | TIME | 1~50000 | / |
| | Checksum [MT-Continuous] | CHECK | On, Off | ON, OFF |
| | Template | TEMP | Simple , Custom 1, Custom 2, Custom 3, Custom 4, Custom 5 | SIMP , CUST 1 , CUST 2 , CUST 3 , CUST 4 , CUST 5 |
| | Reset | RESET | \ | / |
| | End | End | \ | / |

Reset [ᠷᠡᠰᠡᠲ]

Reset the Print menu to factory defaults.

᠒᠐ = do not reset.

ᠶᠡᠰ = reset

Assignment [ᠠᠰᠰ ᠶᠡᠨ]**Demand [ᠳᠡᠮᠠᠨᠠ]**

If **Demand** is selected, the sub-menu **Stable Only** will display.

Set the printing criteria.

᠒᠒᠑ = values are printed immediately, regardless of stability.

᠒᠒ = values are printed only when the stability criteria is met.

Auto On Stable [᠒᠒.ᠰᠡᠯᠠᠪ]

If **Auto On Stable** is selected, the sub-menu **Mode** will display.

Set the printing mode.

ᠯᠠᠷᠳ = prints when the displayed load is stable.

ᠯᠠᠷᠳ.ᠵᠢᠷ = prints when the displayed load and zero reading are stable.

Auto On Accept [᠒᠒.ᠠᠴᠡᠭᠦᠫ]

If **Auto On Accept** is selected and the weighing mode is **Check**, values will be printed when the weight is accepted.

᠒᠒.ᠠᠴᠡᠭᠦᠫ = printing occurs each time the display is within the acceptable range and stability criteria is met.

Interval [ᠶᠡᠨᠲᠡᠷ]

If **Interval** is selected, the sub-menu **Time** will display.

ᠶᠡᠨᠲᠡᠷ = printing occurs at the defined time interval.

The time interval can be set through the numeric keypad (i-DT61XWE) .

Settings of 1 to 50000 seconds are available. Default is 1.

Printing occurs at the defined time interval.

MT-Continuous [ᠮᠲ.ᠴᠢᠨᠠᠮᠤᠳ]

If **MT-Continuous** is selected, the print output will be in the **MT-Continuous** format.

ᠮᠲ.ᠴᠢᠨᠠᠮᠤᠳ = printing occurs continuously.

Note: Refer to Appendix A for **MT-Continuous** format.

ᠴ.ᠰᠤᠮᠠᠨ

Off = disabled

On = enabled

OH-Continuous [᠒ᠬ.ᠴᠢᠨᠠᠮᠤᠳ]

If **OH-Continuous** is selected, the print output will be in the **OH-Continuous** format.

Note: Refer to Appendix A for **OH-Continuous** format.

᠒ᠬ.ᠴᠢᠨᠠᠮᠤᠳ = printing occurs continuously.

SICS [ᠰ ᠶᠡᠴᠰ]

᠒᠒᠑ = disable MT-SICS command

᠒᠒ = enable MT-SICS command

Note: Refer to Appendix B for **SICS** commands.

End Print [ᠡᠨᠳ]

Advance to the next menu or return to the top of the current menu.

Template [打印模板]

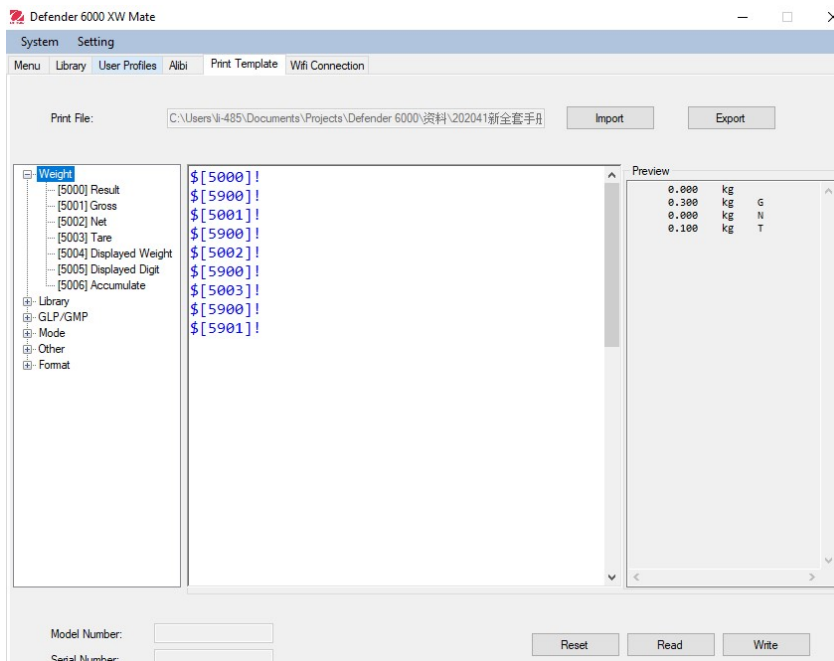
This sub-menu is used to define the format of the data output to a printer or computer.

- S 打印** = only prints result and unit
- [自定义 1]** = customized printout format.
- [自定义 2]** = customized printout format.
- [自定义 3]** = customized printout format.
- [自定义 4]** = customized printout format.
- [自定义 5]** = customized printout format.

Print template example :

- 0.000 kg
- 0.300 kg G
- 0.000 kg N
- 0.100 kg T

To customize print template, you need to go to the ScaleMate software, Select **Print Template** on the top bar, and then double click items in the left column to select which ones you want to put in your print template.



Alternatively, you can also input the items in the middle column directly to customize, using **\${XXXX}!** format. XXXX refers to the index number of each print item, please check the following table for each item's index number.

| Index Number | Print Items |
|--------------|-----------------|
| 5000 | Result |
| 5001 | Gross |
| 5002 | Net |
| 5003 | Tare |
| 5004 | Displayed Wt |
| 5005 | Displayed Digit |
| 5006 | Accumulate |
| | |
| 5100 | ID |
| 5101 | PN |
| 5102 | Lib Name |
| | |
| 5200 | Date |
| 5201 | Time |
| 5202 | Project ID |

| | |
|------|----------------|
| 5203 | Scale ID |
| 5204 | User ID |
| 5205 | User Name |
| 5206 | Transaction ID |
| | |
| 5300 | Mode |
| 5301 | Information |
| 5302 | Target |
| | |
| 5400 | Alibi ID |
| 5401 | Input Status |
| 5402 | Output Status |
| 5403 | SN |
| | |
| 5900 | NewLine |
| 5901 | End |

Note: For ScaleMate's other functions, please contact an authorized dealer to obtain the software's instruction.

4.7.3 RS485 Configuration

Please refer to RS485 Configuration in the *Defender® 6000 RS232/RS485/USB Interface Instruction Manual*.

4.7.4 Ethernet Configuration

Please refer to Configuration in the *Defender® 6000 Ethernet Interface Instruction Manual*.

4.7.5 Analog Configuration

Please refer to Analog Configuration in the *Defender® 6000 Analog Kit Instruction Manual*.

4.8 Memory

The Memory menu is different for i-DT61PW and i-DT61XWE. Please check the following sections for details.

4.8.1 Memory menu (for i-DT61PW model)

Status [StAtUS]

To enable or disable the memory function.

OFF = to disable memory function.

ON = to enable memory function. Press the **Print** button to save weighing data.

Export [EXPort]

To export weighing data.

NO = to export weighing data function is disabled.

YES = to export weighing data function is enabled.

Delete [dELETE]

To delete weighing data.

NO = to not delete weighing data

YES = to delete weighing data

4.8.2 USB memory (for i-DT61XWE model)

USB memory is used to store the weight readings for future reference. By connecting a USB flash drive to the scale the weight readings can now be stored directly on the USB flash drive.

Note: this menu is only visible after a USB flash drive is detected.

The data will be stored in the flash drive in the following location:

SYSTEM\DATA

A new file will be created monthly (one txt file stores a whole month's output data...). The name of the txt file will be year plus month.TXT. For example, the name of the txt file for 2020.6 will be **202006.TXT**.

To enable USB memory:

1. After you insert a USB flash drive, long press the **Menu** button until you see **С.А.Л.**
2. Short press the **No** button several times to navigate until you see **ᠮᠢ.ᠡ.ᠮᠢ.᠒.** Press the **Yes** button.
3. Short press the **No** button to navigate until you see **USb.** Press the **Yes** button.
4. The display flashes with **᠒ᠠ.** Press the **Yes** button to enable.
5. Sub-menu Link to (**᠘ ᠶᠢᠨ**) appears. Press the **Yes** button to enable.
6. Then the sub-menu appears with selections of RS232 (**ᠷ5232**), 2nd Serial (**2.᠑ᠡᠷ ᠶᠢ**) and Ethernet (**ᠡᠡᠬᠠᠨᠡᠡᠡ**). Choose the one you want and press the **Yes** button.
7. The display shows **ᠡᠶᠢᠳ.** Press the **Yes** button. The display shows the next menu. Press the **Exit** button to exit.

4.8.3 Alibi Memory (for i-DT61XWE model)

Note: This menu is only visible if the Alibi memory hardware option has been installed. See below for installation instructions.

Alibi memory is used to store the weight history for reference. Each Alibi record contains the following:

- ID
- Gross /Net weight, tare weight and weight unit
- Date and time

To check Alibi records, you need to install the ScaleMate software. Please contact an authorized dealer to obtain the software

The maximum number of record is 262112.

When the memory is full and another record is stored, the first record will automatically be deleted. At this time a warning message will appear, asking for the user's confirmation.

4.8.3.1 Enable Alibi

To enable:

1. After you install the hardware, long press the **Menu** button until you see **С.А.Л.**
2. Short press the **No** button several times to navigate until you see **ᠮᠢ.ᠡ.ᠮᠢ.᠒.** Press the **Yes** button.
3. Short press the **No** button to navigate until you see **ᠠᠯ ᠶᠢ ᠶ.** Press the **Yes** button.
4. The display flashes with **᠒ᠠ.** Press the **Yes** button to enable Alibi.
5. The display shows **ᠡᠶᠢᠳ.** Press the **Yes** button. The display shows the next menu **᠘. ᠶᠢᠨ.** Press the **Exit** button to exit.

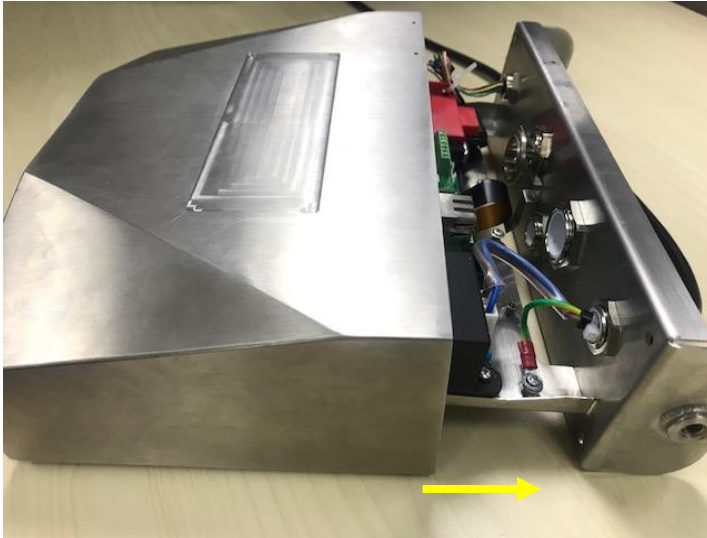
4.8.3.2 Install Alibi

To install:

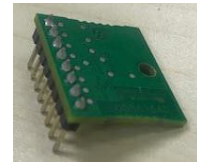
1. Power off and unplug the terminal. Disconnect the terminal with a weighing pan if it is connected to one.
2. Place the terminal down, and unscrew the screws marked in the following graphic.



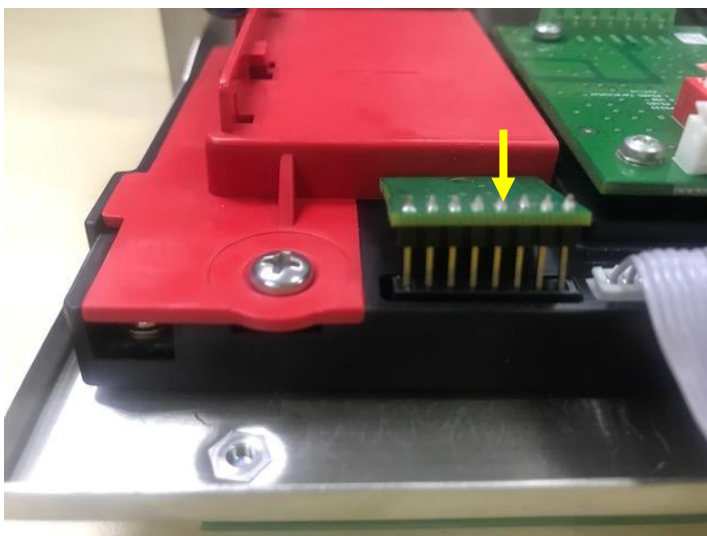
3. Pull out the bottom of the terminal.



4. Take out the Alibi memory board and prepare to install it in the circled place.



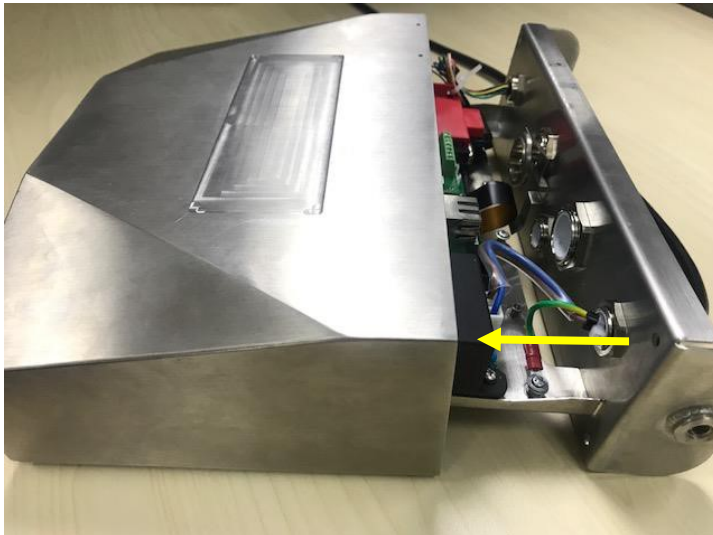
5. Insert the Alibi memory board into the slot as shown below. Please make sure the pins are properly inserted.



- Use a screwdriver to tighten the screw and make sure the Alibi memory board is installed properly.

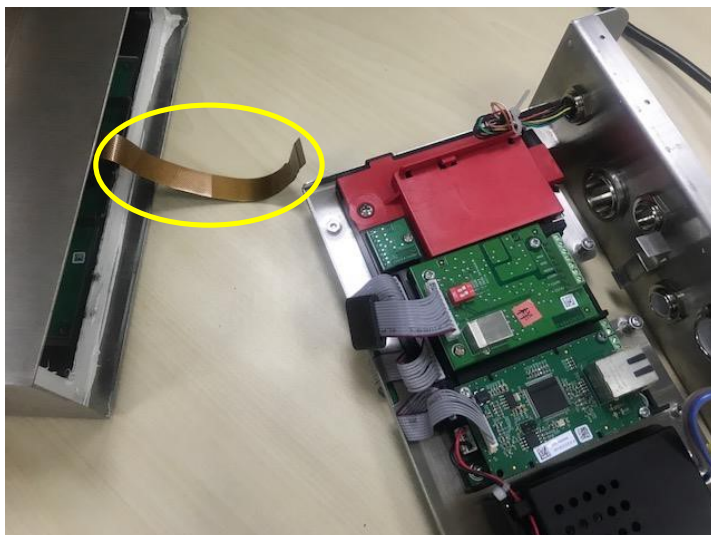


- Pull the bottom of the terminal in, and make sure all the screws marked in step 2 are tightened.



Note:

There is possibility that the button cable is detached from the bottom of the terminal when you pull it out. In that case, please follow the following steps to re-attach the button cable:



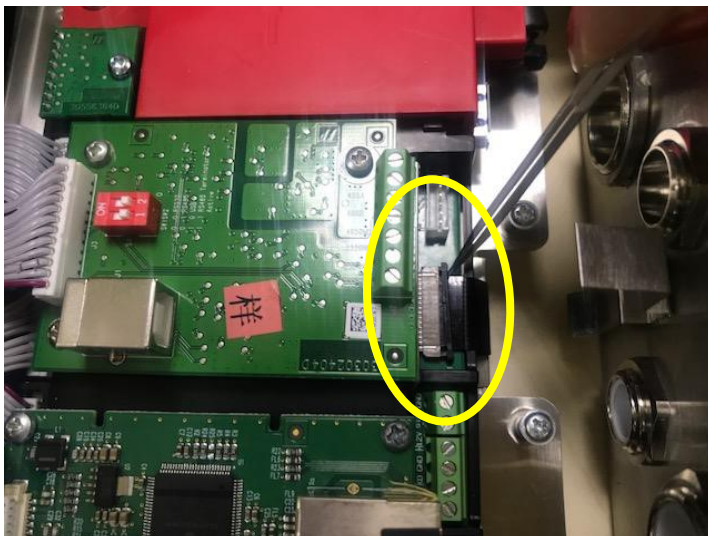
1. When you finish to install the Albi memory board, pass the button cable through the bottom of the meter.



2. And pull it under the FPC socket. Push the button cable further under the FPC socket so that the cable is firmly attached.



3. Use a tweezers or other tools to pull the right and left side of the FPC socket in.



4. Make sure the whole FPC socket are pushed in and the button cable is attached to it firmly.



5. Repeat the previous step 7 to push in the bottom of the terminal and tighten all the screws.

4.9 Discrete I/O (for i-DT61XWE model)

Discrete I/O menu allows the configuration of 3 inputs and 4 outputs. The Discrete Input0 is located at J16 on the mainboard (please refer to the **Mainboard** section for where it is located), while other Discrete Inputs & Outputs are located at the Discrete I/O optional board.

| Menu | Sub-Menu | Sub-Menu (in segment) | Options | Options (in segment) |
|--------------|------------------|-----------------------|--|---|
| I.O. I.O. | Reset | rESEt | no, yes | NO, YES |
| | TYPE | TYPE | OPEN, CLOSED | OPEN, CLOSED |
| | Discrete Input0 | INPUT0 | Off, Zero, Tare, Clear Tare, Print, Unit, Accumulate, Start, Reset, Start/Stop, Pause/Resume | OFF, ZER0, TARE, CLR.TAR, PRINT, UNIT, ACCUM, START, rESEt, STAR-SP, PA-rE |
| | Discrete Input1 | INPUT 1 | Off, Zero, Tare, Clear Tare, Print, Unit, Accumulate, Start, Reset, Start/Stop, Pause/Resume | OFF, ZER0, TARE, CLR.TAR, PRINT, UNIT, ACCUM, STARt rESEt, STAR-SP, PA-rE |
| | Discrete Input2 | INPUT2 | Off, Zero, Tare, Clear Tare, Print, Unit, Accumulate, Start, Reset, Start/Stop, Pause/Resume | OFF, ZER0, TARE, CLR.TAR, PRINT, UNIT, ACCUM, STARt rESEt, STAR-SP, PA-rE |
| | Discrete Output1 | OUT 1 | Off, Overload, Underload, Over, Under, Accept, Under/Over, SP1, SP2, SP3, SP4, Alarm | OFF, OULOAD, UNLOAD, oUER, UNdEr, ACCEPt, UN-OU, F.SP 1, F.SP2, F.SP3, F.SP4, ALARm |
| | Discrete Output2 | OUT2 | Off, Overload, Underload, Over, Under, Accept, Under/Over, SP1, SP2, SP3, SP4, Alarm | OFF, OULOAD, UNLOAD, oUER, UNdEr, ACCEPt, UN-OU, F.SP 1, F.SP2, F.SP3, F.SP5, ALARm |
| | Discrete Output3 | OUT3 | Off, Overload, Underload, Over, Under, Accept, Under/Over, SP1, SP2, SP3, SP4, Alarm | OFF, OULOAD, UNLOAD, oUER, UNdEr, ACCEPt, UN-OU, F.SP 1, F.SP2, F.SP3, F.SP5, ALARm |
| | Discrete Output4 | OUT4 | Off, Overload, Underload, Over, Under, Accept, Under/Over, SP1, SP2, SP3, SP4, Alarm | OFF, OULOAD, UNLOAD, oUER, UNdEr, ACCEPt, UN-OU, F.SP 1, F.SP2, F.SP3, F.SP5, ALARm |
| | End | End | \ | / |

4.9.1 I/O Type

Set the status of the relay output.

OPEN = the initial state of the relay output is normally open.

CLOSEd = the initial state of the relay output is normally closed.

4.9.2 Input

The input I/O's function is defined below.

| | |
|---------|---|
| OFF | The input connection is disabled. |
| ZEr0 | The external input initiates a Zero function |
| tArE | The external input initiates a Tare function |
| CLr.tAr | The external input initiates a Clear Tare function |
| Pr INt | The external input initiates a Print function |
| UN tE | The external input initiates a Unit function |
| ACCUM7 | The external input initiates an Accumulate function |
| StArE | The external input initiates a Start function |
| rESEt | The external input initiates a Reset function |
| StAr-SP | The external input initiates a Start function, the second external input initiates a Stop function. |
| PR-rE | The external input initiates a pause function, the second external input initiates a resume function. |

4.9.3 Output

| | |
|---------|--|
| OFF | The output connection is disabled. |
| OU.LORd | If the weight is overloaded, the instrument will perform a relay output. |
| UN.LORd | If the weight is underloaded, the instrument will perform a relay output. |
| oUEr | If the weight is above the over value you set, the instrument will perform a relay output. |
| UNdEr | If the weight is below the under value you set, the instrument will perform a relay output. |
| ACCePt | If the weight is within the acceptable range you set, the instrument will perform a relay output. |
| UN-OU | The weight value is below the under value or above the over value you set, the instrument will perform a relay output. |
| F.SP 1, | The weight value is >=SP1, the instrument will perform a relay output. |
| F.SP2 | The weight value is >=SP2, the instrument will perform a relay output. |
| F.SP3 | The weight value is >=SP3, the instrument will perform a relay output. |
| F.SP4 | The weight value is >=SP4, the instrument will perform a relay output. |

4.10 Lock Key Configuration

This menu **L.O.C.F** is used to lock access to certain keys. When you select ON for one selection, the associated key press will be ignored.

If you select Lock All Keys, you will lose function of all keys. To unlock, long press the **Menu** key for 30 seconds to enter the settings to unlock it.

| Item | Available Settings (bold is the default settings) |
|-------------------------------------|--|
| Lock All Keys [L.ALL] | OFF, ON |
| Lock Off Key [L.OFF] | OFF, ON |
| Lock Zero Key [L.ZEr0] | OFF, ON |
| Lock Print Key [L.Pr INt] | OFF, ON |
| Lock Unit Key [L.UN tE] | OFF, ON |
| Lock Mode Key [L.tArE] | OFF, ON |
| Lock Menu Key [L.rESEt] | OFF, ON |
| Lock Tare key [L.tArGE] | OFF, ON |
| Lock Target key [L.ACCUM7] | OFF, ON |
| Lock Numeric Key [L.StArE] | OFF, ON |
| Reset | NO , YES |

Note: If the **Menu** key has been locked, long press the **Menu** key for 30 seconds to enter the settings to unlock it.

4.11 Library (for i-DT61XWE model)

The library supports up to 400 records. The application modes share one library.

The Library can be cloned through below methods:

1. Copy all files to a USB device.
2. Use ScaleMate software (version 2.3.0 or higher) to read all files in the Library. Please contact an authorized dealer to obtain the software.

Directory

| | |
|---------|-------------|
| Library | I-DT61XWLIB |
|---------|-------------|

Library Items

The libraries have several items PN, Name, Tare, Under, Over, Reference weight, APW, F.SP1, F.SP2, F.SP3 and F.SP4

PN (**PN**): The part number of the material (unique).

Name (**NAME**): The name of the material.

Under (**Under**): The under limit of the check.

Over (**Over**): The over limit of the check.

Tare (**TARE**): The tare weight of the material.

Reference weight (**REF.WGT**): the reference weight for Percent weighing.

APW(**APW**): the average piece weight of for Counting.

F.SP1 (**F.SP 1**): the first target weight for Filling.

F.SP2 (**F.SP2**): the second target weight for Filling.

F.SP3 (**F.SP3**): the third target weight for Filling.

F.SP4 (**F.SP4**): the forth target weight for Filling.

Each weighing mode supports different items. See the table below:

| Item Mode | PN | Name | Under | Over | Tare | Reference weight | APW | F.SP1 | F.SP2 | F.SP3 | F.SP4 |
|--------------|----|------|-------|------|------|---------------------|-----|-------|-------|-------|-------|
| Weighing | X | X | X | X | X | | | | | | |
| Percent | X | X | X | X | X | X | | | | | |
| Dynamic | X | X | X | X | X | | | | | | |
| Fill | X | X | | | X | | | X | X | X | X |
| Counting | X | X | X | X | X | | X | | | | |

Create a new library item

To create a new library item:

1. Long press the **Menu** button until you see **C.A.L.**. Short press the **No** button several times to navigate until you see **L. I.b.**. Press the **Yes** button.
2. Press the **Yes** button when you see **NEW**.
3. The display shows **TYPE**. Press the **Yes** button to select. Short press the **No** button to select from Weighing (**WEIGH**), Percent (**PERCENT**), Dynamic (**DYNAMIC**) and Filling (**FILL**). When you see the type you want, press the **Yes** button to select.
4. The display shows **PN**. Press the **Yes** button to input the PN number. Input by using the numeric keyboard. Press the **Yes** button when you finish.
5. The display shows **NAME**. Press the **Yes** button to input the name. Input by using the numeric keyboard. Press the **Yes** button when you finish.
6. Then the display shows other values as listed in the previous table for each mode. Press the **Yes** button to input each value. Input by using the numeric keyboard. Press the **Yes** button when you finish.
7. The display shows **END** when you finish all the settings. Press the **Yes** button to confirm.

8. The display shows **SAVE**. Press the **Yes** button to save.
9. The display shows the next menu **Edit**. Press the **Exit** button to exit.

Note: If you do not need to input values for some items from step 5 to 7, you can press the **No** button to skip to the next item.

Edit a library item

To edit a library item:

1. Long press the **Menu** button until you see **C.A.L.**. Short press the **No** button several times to navigate until you see **L. i.b.**. Press the **Yes** button.
2. Press the **No** button to select until you see **Edit**. Press the **Yes** button.
3. The display shows **SEARCH**. Press the **Yes** button.
4. Input the PN number for the library item you need to edit. Use the numeric keyboard to input and press the **Yes** button when you finish.

Search also supports inputting abbreviated PN. If you need to search the PN number, input at least one number of the PN of that item through the numeric keyboard and then press the **Yes** button. The first PN includes the number you input will be displayed. Short press the **No** button to navigate between different product numbers. When you see the one you want, press the **Yes** button to confirm.

If you input more than one number of the PN, make sure they are consequent.

For example, if you want to search a library item with PN 76543, to input only one number, you can input 7, 6, 5, 4 or 3. To input more than one number, you can input 76, 765, 54, 543 etc. Please avoid inputting inconsequent numbers, such as 74, 753 etc. The result will not appear.

5. The display shows the PN number of the library item to edit. Press the **Yes** button to confirm.
6. The display shows **TYPE**.
 - Press the **Yes** button if you need to edit it. Then short press the **No** button to select from Weighing (**WEIGH**), Percent (**PERCENT**), Dynamic (**динам**) and Filling (**FILL**). When you see the type you want, press the **Yes** button.
 - Press the **No** button if you do not need to edit it and move on to the next item.
7. Repeat step 6 to edit all the items you need to.
8. When you finish, continue to press the **No** button until you see **End**. Press the **Yes** button to confirm.
9. The display shows **SAVE**. Press the **Yes** button to save.
10. The display shows **End**. Press the **Exit** button to exit.

Recall a library item

To recall and use a library item when in Weighing, Counting, Percent, Dynamic and Fill mode:

Through input:


- Input the PN for the library item through the numeric keyboard in those weighing modes. Then long press the **Lib** button until you see the product number on the display. Press the **Yes** button to confirm.
- Search also supports inputting abbreviated PN. To do this, you can input at least one number of the PN through the numeric keyboard and then long press the **Lib** button. The first product number includes the number you input will be displayed. Short press the **No** button to navigate between different product numbers. When you see the one you want, press the **Yes** button to confirm.

If you input more than one number of the PN, make sure they are consequent.

For example, if you want to search a library item with PN 76543, you can input 76, 765, 54, 543 etc. Please avoid inputting inconsequent numbers, such as 74, 753 etc. The result will not appear.

Through RFID or Barcoder

When the product number input through an RFID or a Barcoder matches a product number in the library, the terminal will recall the library record.

When a library record is in use, an arrow on the screen will point to the library icon .

Disuse a library item

To disuse a library item when in Weighing, Counting, Percent, Dynamic or Fill mode:

1. When weighing in the modes above, long press the **Lib** button. The display shows the product number of the library item in use.

- Press the **CLR** button when you see the product number displayed. The display shows **CLR id**. Press the **Yes** button to clear. Press the **No** button to return to the active application mode.

4.12 User (for i-DT61XWE model)

Enter this menu **U.S.E.r** to add or edit users. The maximum user number is 100. The record contains ID and name. The length of ID and name is about 32 characters.

Add a user

To add a new user:

- Long press the **Menu** button until you see **C.R.L**. Short press the **No** button several times until you see **U.S.E.r**. Press the **Yes** button.
- The display shows **NEW**. Press the **Yes** button.
- The display shows **id**. Press the **Yes** button, and then input the new id through the numeric keyboard. Press the **Yes** button when you finish.
- The display shows **NAME**. Press the **Yes** button, and then input the new name through the numeric keyboard. Press the **Yes** button when you finish.
- The display shows **END**. Press the **Yes** button.
- The display shows **SAVE**. Press the **Yes** button to save, and the display moves to the next menu **Ed it**.

Edit a user

To edit a user:

- Long press the **Menu** button until you see **C.R.L**. Short press the **No** button several times until you see **U.S.E.r**. Press the **Yes** button.
- The display shows **NEW**. Short press the **No** button to select **Ed it**. Press the **Yes** button.
- The display shows **SEARCH**. Press the **Yes** button.
- Input the user id through the numeric keyboard. Press the **Yes** button. The display shows the id of the user. Press the **Yes** button.

Alternatively, search also supports inputting abbreviated ID. You can input at least one number of the id through the numeric keyboard and then press the **Yes** button. The first user id includes the number you input will be displayed. Short press the **No** button to navigate between different ids. When you see the one you want, press the **Yes** button to confirm.

If you input more than one number of the id, make sure they are consequent.

For example, if you want to search an id 76543, to input only one number, you can input 7, 6, 5, 4 or 3. To input more than one number, you can input 76, 765, 54, 543 etc. Please avoid inputting inconsequent numbers, such as 74, 753 etc. The result will not appear.

- The display shows **id**. Press the **Yes** button, and then input the new id through the numeric keyboard. Press the **Yes** button when you finish.
- The display shows **NAME**. Press the **Yes** button, and then input the new name through the numeric keyboard. Press the **Yes** button when you finish.
- The display shows **END**. Press the **Yes** button.
- The display shows **SAVE**. Press the **Yes** button to save.
- The display shows **END**. Press the **Yes** button and the display shows **END**. Press the **Yes** button to exit.

Recall a user

To recall a user when in Weighing, Counting, Percent, Dynamic or Fill mode:


Through input:

- Input the user ID through the numeric keyboard in those weighing modes. Then long press the **User** button until you see the ID on the display. Press the **Yes** button to confirm.
- Search also supports inputting abbreviated ID. To do this, you can input at least one number of the ID through the numeric keyboard and then long press the **User** button. The first product number includes the number you input will be displayed. Short press the **No** button to navigate between different IDs. When you see the one you want, press the **Yes** button to confirm.

If you input more than one number of the ID, make sure they are consequent.
For example, if you want to search a user ID 76543, you can input 76, 765, 54, 543 etc. Please avoid inputting inconsequent numbers, such as 74, 753 etc. The result will not appear.

Through RFID or Barcoder

When the user id input through an RFID or a Barcoder matches a user id in the library, the terminal will recall the user.

When a user is in use, an arrow on the screen will point to the user icon . Later when you select user in the printing template, the user's ID will be printed.

Disuse a user

To disuse a user when in Weighing, Percent, Dynamic or Fill mode:

1. When weighing in the modes above, long press the **User** button. The display shows the currently used user ID.
2. Press the **CLR** button when you see the ID displayed. The display shows **CLR ID**. Press the **Yes** button to clear. Press the **No** button to return to the active application mode.

4.13 USB (for i-DT61XWE model)

This menu will display when plug in a USB Flash Drive, RFID, Barcode Scanner, Keyboard or a Wi-Fi/Bluetooth Dongle (optional).

| Menu | Sub-Menu | Sub-Menu(in segment) | Options | Options (in segment) |
|--------------|--------------------------|----------------------|--|-----------------------------|
| USB U.S.b | Reset | rESEt | No, Yes | NO, YES |
| | TYPE | tYPE | Flash Drive /RFID /Barcode Scanner /Keyboard | d ISt, rF Id, bRrC0d, tEYbd |
| | export menu[Flash Drive] | E.MENU | \ | |
| | import menu[Flash Drive] | I.MENU | \ | |
| | export lib[Flash Drive] | E.L Ib | \ | |
| | import lib[Flash Drive] | I.L Ib | \ | |
| | export user[Flash Drive] | E.USER | \ | |
| | import user[Flash Drive] | I.USER | \ | |
| | Length[Barcode] | LENGTH | XXXXXXXX | |
| | Start digit[Barcode] | S.d IG It | XX | |
| | End | End | \ | / |

4.13.1 USB Flash Drive

The function of the USB Flash Drive menu is defined below:

| | |
|--------|---|
| E.MENU | Export Menu Settings to a USB flash drive |
| I.MENU | Import Menu Settings from a USB flash drive |
| E.L Ib | Export Libraries to a USB flash drive |
| I.L Ib | Import Libraries from a USB flash drive |
| E.USER | Export User Profiles to a USB flash drive |
| I.USER | Import User Profiles from a USB flash drive |

Note: The Menu Settings /User /Library can be exported to a flash drive. This flash drive can be inserted into another terminal, and the Menu Settings can be imported to the terminal. After the import is finished, the terminal will restart. After that the menu configurations of the two terminals are the same.

4.13.2 RFID

Use an RFID reader to search PN (product number) / user ID to recall and use the related library item or user during weighing.

Use an RFID reader to input numbers when in the input mode.

Since there are many brands of RFID device in the market, OHAUS tested and confirmed that below one from RFIDeas (www.RFIDeas.com) is compatible:

RDR-6081AKU-C06.

4.13.3 Barcode

Use a barcode scanner to search PN (product number) / user ID to recall and use the related library item or user during weighing.

Use a barcode scanner to input numbers when in the input mode.

| | |
|-----------|--|
| LENGTH | Specify the length of the string read from the barcode scanner. |
| S.d IG It | Specify the start digit of the string read from the barcode scanner. The barcode scanner will only response when the start digit matches your setting. |

Since there are many brands of barcode scanners in the market, OHAUS tested and confirmed that below Barcode scanners from Datalogic® is compatible:
QuickScan series

4.13.4 Keyboard

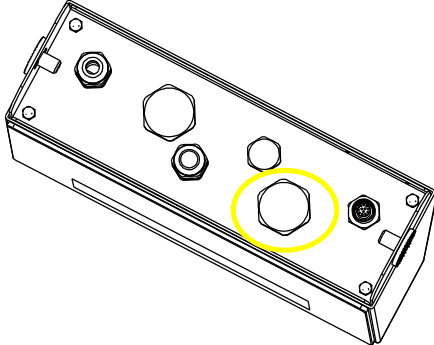
Use a keyboard to input numbers when in the input mode.

4.13.5 Wi-Fi/Bluetooth Dongle (Optional)

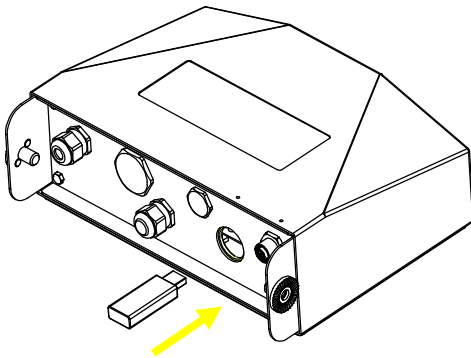
A Wi-Fi/Bluetooth USB Dongle can help the terminal to receive data transmitted through Wi-Fi or Bluetooth. It is an option and you can contact an authorized OHAUS dealer to get it.

4.13.5.1 Install a Wi-Fi/Bluetooth USB Dongle

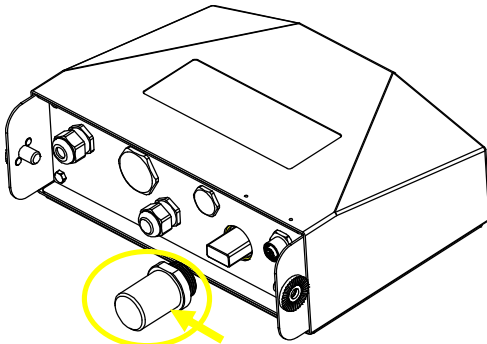
- 1 Remove the M25 cover located at the bottom of the indicator.



- 2 Plug the Wi-Fi/Bluetooth USB Dongle through M25 hole.



- 3 Close the USB Dongle Cover.



Wi-Fi/Bluetooth USB Dongle Cover

Note: This cover is also an option, please contact an authorized OHAUS dealer to get it.

4.13.5.2 Configuration

After inserting the dongle, the indicator will recognize it and add relevant items to the menu. The indicator will display the IP address, and you need to set other parameters through the OHAUS ScaleMate software. To get the software, please contact an OHAUS authorized dealer.

Note: for how to set parameters in the ScaleMate software, please check the software's instruction video via an authorized OHAUS dealer.

Wireless setup

| Menu | Sub-Menu | Sub-Menu (in segment) | Options | Options (in segment) |
|---------------------------|------------------|------------------------|-----------------------------------|-----------------------|
| Wireless ከጋ. ፋ. - ጋ. ጽ | Reset | ገደደደ | No, Yes | በፊ, ሃደደ |
| | Type | ጽሃዎ | wifi, bluetooth | ከጋ ፋ ፋ, ጋ ጋ ጋ ጋ ጋ ጋ |
| | IP Address[Wifi] | IP Address | XXXXXX-XXXX (169.254.1.1-6060) | / |
| | Device name[bt] | ጋ. በጋጋጋጋ | XXXXXX | / |
| | Pincode[bt] | ፆ ጋጋ | XXXXXX | / |
| | Alt Print CMD | ጋ ጋ ጋ ጋ ፆ | A~Z, P | / |
| | Alt Tare CMD | ጋ ጋ ጋ ጋ ጽ | A~Z, T | / |
| | Alt Zero CMD | ጋ ጋ ጋ ጋ ጋ | A~Z, Z | / |
| End | ጽገጋ | \ | / | |

MAC Address

The Medium Access Control (MAC) Address of the Wi-Fi/Bluetooth is not editable.

Port

The default value of IP port is 6060.

DHCP

If DHCP is set to be **ON**, the IP share or router will automatically assign IP Address. If the DHCP is set to be **OFF**, users need to setup the IP Address, Subnet Mask, Gateway, Primary DNS and Secondary DNS. If there is no DHCP server in the network, the DHCP server of the Ethernet option board will become it.

Note: After the setup of IP Address, Subnet Mask, Gateway, Primary DNS and Secondary DNS, please reboot the indicator to enable the setting.

IP Address

IP is 192.168.1.2 by default.

Subnet Mask

Subnet mask is 255.255.255.0 by default.

Gateway

Gateway is 192.168.1.1 by default.

Primary DNS & Secondary DNS

DNS value is not needed when the system connects to a LAN, and it is assigned by the ISP when connected to the internet.

Alternative Command

The alternative command of Print, Tare, Zero can be set to 'a' ~ 'z' or 'A' ~ 'Z'.

Note: The submenu will display after the installation of the dongle.

Print Setup

For Wi-Fi and Bluetooth printing setup, please refer to the **Print Menu** section in the **Communication** part for details about printing settings.

Bluetooth setup

To pair your device with the terminal through Bluetooth, take Windows 10 as an example:

1. Click **Settings** in the **Start** menu.
2. Select **Devices (Bluetooth, printers, mouse)** in the pop out **Settings** window or type Bluetooth in the search bar of the window to launch **Bluetooth & other devices** program.
3. Click **Add Bluetooth or other device**.
4. Select **Bluetooth** in the pop up **Add a device** window.
5. Select the Bluetooth name of your terminal to pair, and then check the pin code appeared with it.
6. Input the pin code through the numeric keyboard on your terminal.
7. If **Your device is ready to go** appears on your computer, it implies the connection is successful.

8. If you need to check which COM (serial) ports your computer's Bluetooth is using, please follow the following steps:
 - a) On the **Bluetooth & other devices** page, instead of clicking **Add Bluetooth or other device**, turn down the page and find **More Bluetooth options** under **Related settings**.
 - b) Click **More Bluetooth options**.
 - c) Select **COM Ports** on the top bar, and you will see the using COM (serial) ports displayed.

Note: if you use other device to pair with the terminal, please follow the specific device's Bluetooth pairing method.

5. LEGAL FOR TRADE

When the indicator is used in trade or a legally controlled application, it must be set up, verified and sealed in accordance with local weights and measures regulations. It is the responsibility of the purchaser to ensure that all pertinent legal requirements are met.

5.1 Settings

Before verification and sealing, perform the following steps:

1. Verify that the menu settings meet the local weights and measures regulations.
2. Perform a calibration as explained in **Calibration Menu** section.
3. Turn the indicator off.

To turn on the security switch:

1. Disconnect power from the indicator and open the housing as explained in **Opening the Housing** section in the **Installation** chapter. (Remove the batteries for i-DT61PW model).
2. Set the position of the security switch SW1 to ON. (Check **Mainboard** section for where SW1 is located on the mainboard).
3. Close the housing.
4. Reconnect power and turn the indicator on. (Re-install the batteries for i-DT61PW model).

5.2 Verification

The local weights and measures official or authorized service agent must perform the verification procedure.

5.3 Sealing

After the scale has been verified, it must be sealed to prevent undetected access to the legally controlled settings. Refer to the illustrations below for sealing methods.

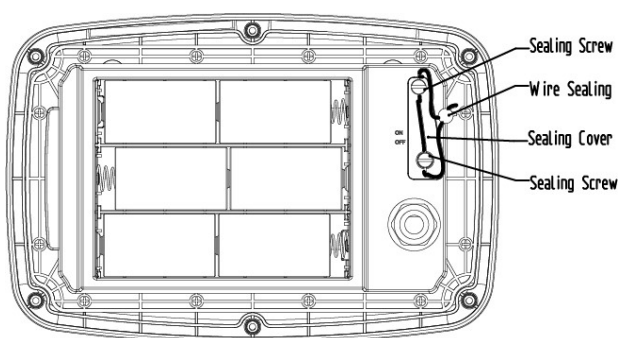


Figure 5-1. i-DT61PW Wire Sealing

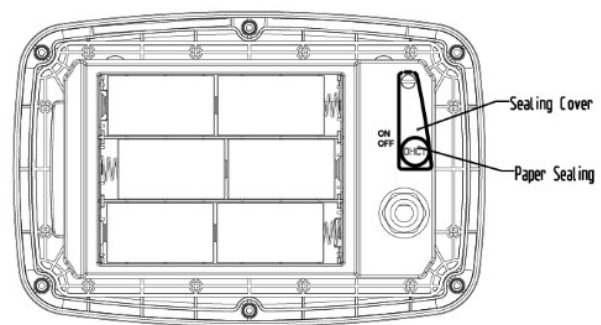


Figure 5-2. i-DT61PW paper Sealing

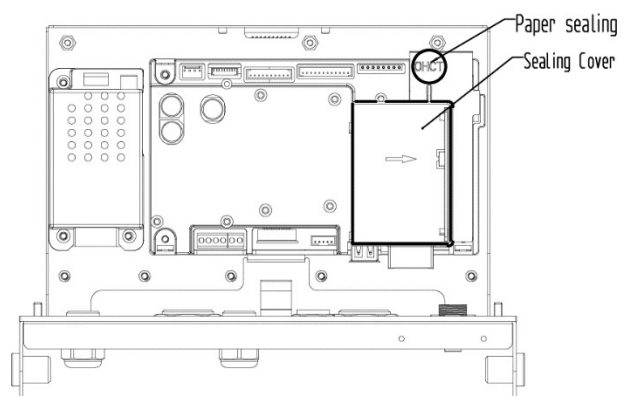
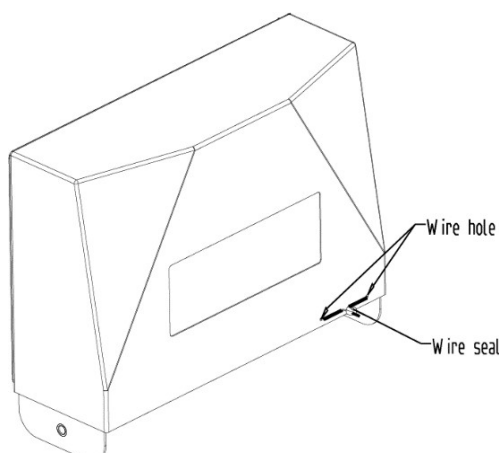


Figure 5-3. i-DT61PW Wire Sealing

Figure 5-4. i-DT61XWE Paper Sealing

When the i-DT61PW or i-DT61XWE indicator is connected to an OHAUS Defender 6000 series base boasting EasyConnect™ function. It has a memory module on the load cell cable, and the connection cable is sealed by software pairing, so no hardware sealing of the cable is needed. Once the indicator or the base is replaced by a new one, an error message (**Error 8.9**) will pop up in the indicator's displayed window.

When the i-DT61PW or i-DT61XWE indicator is connected to an outside base that does not include a memory module, the connection between the indicator and load receptor shall be sealed by using a connector cover (P/N: 30538022), sealing sticker or wire seal.

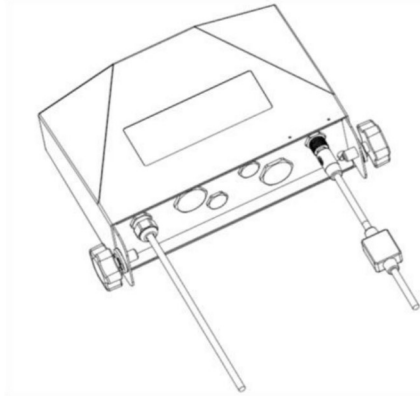


Figure 5-5. Connecting cable with connector and memory module

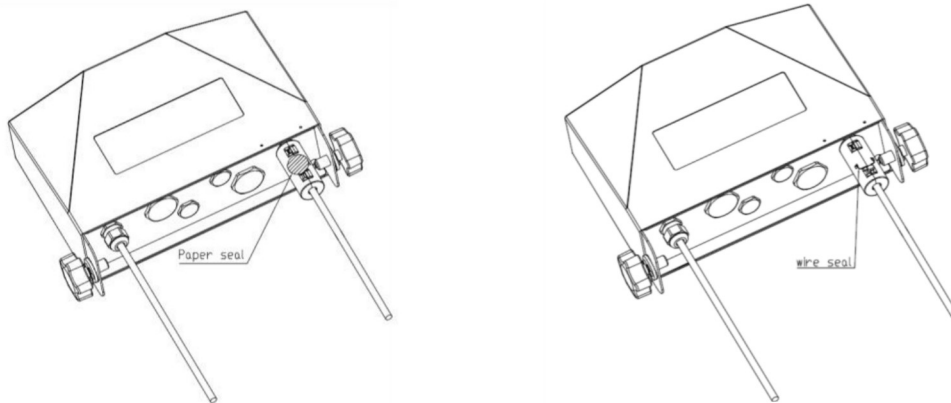


Figure 5-6. Connecting cable with connector and without memory module

6. MAINTENANCE

CAUTION: DISCONNECT THE UNIT FROM THE POWER SUPPLY BEFORE CLEANING.

6.1 Cleaning



WARNING: Electric Shock Hazard. Disconnect the equipment from the power supply before cleaning.

Make sure that no liquid enters the interior of the instrument.



Attention: Do not use solvents, harsh chemicals, ammonia or abrasive cleaning agents.

The housing may be cleaned with a cloth dampened with a mild detergent if necessary.

6.1.1 Cleaning for i-DT61PW Model

- The housing may be cleaned with a cloth dampened with a mild detergent if necessary.
- Do not use solvents, chemicals, alcohol, ammonia or abrasives to clean the housing or the control panel.

6.1.2 Cleaning for i-DT61XWE Model

- Use approved cleaning solutions for the stainless-steel Indicator housing and rinse with water. Dry thoroughly.
- Do not use solvents, chemicals, alcohol, ammonia or abrasives to clean the control panel.

6.2 Troubleshooting

TABLE 6-1 Troubleshooting

| SYMPTOM | PROBABLE CAUSE (s) | REMEDY |
|---|---|---|
| EEP Error | EEPROM Checksum Error | Corrupted EEPROM data |
| Unit will not turn on. | <ol style="list-style-type: none"> 1. Power cord not plugged in or properly connected. 2. Power outlet not supplying electricity. 3. Battery discharged (i-DT61PW). 4. Other failure. | <ol style="list-style-type: none"> 1. Check power cord connections. Make sure power cord is plugged in properly into the power outlet. 2. Check power source. 3. Replace batteries (i-DT61PW). 4. Service required. |
| Cannot zero the Scale, or will not zero when turned on. | <ol style="list-style-type: none"> 1. Load on Scale exceeds allowable limits. 2. Load on Scale is not stable. 3. Load Cell damage. | <ol style="list-style-type: none"> 1. Remove load on Scale. 2. Wait for load to become stable. 3. Service required. |
| Unable to calibrate. | <ol style="list-style-type: none"> 1. Lock Calibration Menu set to On. 2. LFT menu set to On. 3. Incorrect value for calibration mass. | <ol style="list-style-type: none"> 1. Set Lock Calibration Menu to Off. 2. Refer to Section 3.12 Menu Lock. 3. Set LFT menu to Off. 4. Use correct calibration mass. |
| Cannot display weight in desired weighing unit. | Unit not set to On. | Enable unit in the Units Menu. Refer to Unit Menu section for help. |
| Cannot change menu settings. | Menu has been locked. | <ol style="list-style-type: none"> 1. Set selected menu to Off in the Lock Menu. 2. Lockout Switch on the circuit board may need to be set to the Off position. |
| <i>Error 8.1</i> | Weight reading exceeds Power On Zero limit. | <ol style="list-style-type: none"> 1. Remove load from scale. 2. Recalibrate scale. |
| <i>Error 8.2</i> | Weight reading below Power On Zero limit. | <ol style="list-style-type: none"> 1. Add load to scale. 2. Recalibrate scale. |
| <i>Error 8.3</i> | Weight reading exceeds Overload limit. | Reduce load on scale. |
| <i>Error 8.4</i> | Weight reading below Underload limit. | <ol style="list-style-type: none"> 1. Add load to scale. 2. Recalibrate scale. |
| <i>Error 8.6</i> | Weight exceeds six digits. Display overflow. | Reduce load on scale. |
| <i>Error 8.8</i> | Factory calibration data in memory module at the end of the load cell cable is not valid under LFT OFF status. | Calibrate scale. |
| <i>Error 8.9</i> | Fail to read serial number from memory module or serial number does not match the indicator's under LFT ON status. | Break the seal or replace the original base/indicator. |
| <i>Error 9.5</i> | Calibration data not present. | Calibrate scale. |
| Battery symbol flashing | Batteries are discharged. | Replace batteries (i-DT61PW). |
| <i>ERR E</i> | Calibration value outside allowable limits | Use correct calibration weight. |
| <i>NO.5LW</i> | Attempting to exit the menu with the LFT setting ON and the security switch OFF. | Refer to LEGAL FOR TRADE chapter for details about how to set the security switch to the ON position. |
| <i>REF Wgt Err</i> | Reference Weight too small. The weight on the platform is too small to define a valid reference weight. | Use a heavier weight for sample. |

6.3 Service Information

If the troubleshooting section does not resolve your problem, contact an authorized OHAUS Service Agent. For Service assistance in the United States, call toll-free 1-800-526-0659 between 8:00 AM and 5:00 PM Eastern Standard Time. An OHAUS Product Service Specialist will be available to assist you. Outside the USA, please visit our website www.ohaus.com to locate the OHAUS office nearest you.

7. TECHNICAL DATA

7.1 Specifications

Materials

I-DT61XWE Housing: stainless-steel 316

I-DT61PW Housing: polycarbonate (PC)

Display window: polycarbonate (PC)

Keypad: polycarbonate (PC)

Equipment Ratings:

Indoor use only

Altitude: 2,000m

Operating temperature: -10°C to 40°C

Humidity: maximum relative humidity 80% for temperatures up to 31 °C decreasing linearly to 50% relative humidity at 40°C.

Electrical supply: 100 - 240V~, 0.5A, 50/60Hz (i-DT61XWE); 6 x D alkaline battery (i-DT61PW).

Voltage fluctuations: Mains supply voltage fluctuations up to ±10% of the nominal voltage.

Overvoltage category II

(Installation category):

Pollution degree: 2

| Model | i-DT61PW |
|-----------------------------------|--|
| Construction | Polycarbonate plastic housing, 304 stainless steel bracket |
| Protection | IP68/IP69k |
| Maximum displayed resolution | 1:75,000 |
| Maximum approved resolution | 1:10,000 (EC, OIML & NTEP) Class III |
| Weighing Units | Kilogram, Gram, Pound, Ounce, Pound: Ounce, Tonne (Metric Tonne) |
| Modes | Basic weighing, Percent weighing, Piece Counting with Optimized APW, Check weighing/counting, Dynamic weighing |
| Display | 6-digit, 7-segment LCD display with white backlight, 45 mm high digits |
| Check Indicator | 3 color (red, green, yellow) bar LED |
| Keyboard | 6 function mechanical keys |
| Auto-zero Tracking | Off, 0.5 d, 1 d or 3 d |
| Load cell excitation voltage | 3.3VDC |
| Load cell drive | Up to 4 x 350 ohm load cells |
| Load cell input sensitivity | Up to 3 mV/V |
| Power | 6 x D alkaline battery |
| Battery Life | 1,500 hours continuous use with backlight off |
| Interface | Infrared USB communication port |
| Shipping Dimensions | 300 x 265 x 135 mm 11.8 x 10.4 x 5.3 in |
| Product Dimensions (with bracket) | 10.4 x 8.9 x 3.3 in / 265 x 225 x 85 mm |
| Approx. Net Weight | 2.7 kg / 6.0 lb |
| Approx. Shipping Weight | 3.8 kg / 8.4 lb |
| Operating Temperature Range | 14°F to 104°F / -10°C to 40°C |

| Model | i-DT61XWE |
|-----------------------------------|---|
| Construction | 316 Stainless steel housing, 316 stainless steel bracket |
| Protection | IP68/IP69k |
| Maximum displayed resolution | 1:75,000 |
| Maximum approved resolution | 1:10,000 (EC, OIML & NTEP) Class III |
| Weighing Units | Kilogram, Gram, Pound, Ounce, Pound: Ounce |
| Modes | Basic weighing, Percent weighing, Check weighing/percent, Dynamic weighing, Filling weighing, Counting |
| Display | 6-digit, 7-segment white LED, 20 mm high digits |
| Check Indicator | 3 color (red, green, orange) 8x16 dot matrix LED |
| Keyboard | 6 function keys + 12 alpha numeric capacitive keypad |
| Auto-zero Tracking | Off, 0.5 d, 1 d or 3 d |
| Load cell excitation voltage | 5VDC |
| Load cell drive | Up to 4 x 350 ohm load cells |
| Load cell input sensitivity | Up to 3 mV/V |
| Stabilization time | Within 2 seconds |
| Power | 100-240 VAC / 50/60 Hz Universal Power Supply, hardwired |
| Interface | Standard: RS232, USB Host Optional: Ethernet, Wi-Fi/Bluetooth, 2nd RS232/RS485/USB, Analog output, 2 In/4 Out Discrete I/O |
| Shipping Dimensions | 300 x 265 x 135 mm 11.8 x 10.4 x 5.3 in |
| Product Dimensions (with bracket) | 11.4 x 9.3 x 3.1 in / 290 x 235 x 80 mm |
| Approx. Net Weight | 3.2 kg / 7.0 lb |
| Approx. Shipping Weight | 3.5 kg / 7.7 lb |
| Operating Temperature Range | 14°F to 104°F / -10°C to 40°C |





7.2 Table of Geo Values

TABLE 7-1 GEO CODES

| | | Elevation in meters | | | | | | | | | | | |
|----------|--------|---------------------|------|------|------|------|------|------|------|------|-------|-------|------|
| | | 0 | 325 | 650 | 975 | 1300 | 1625 | 1950 | 2275 | 2600 | 2925 | 3250 | 3575 |
| | | 325 | 650 | 975 | 1300 | 1625 | 1950 | 2275 | 2600 | 2925 | 3250 | 3575 | |
| | | Elevation in feet | | | | | | | | | | | |
| | | 0 | 1060 | 2130 | 3200 | 4260 | 5330 | 6400 | 7460 | 8530 | 9600 | 10660 | |
| | | 1060 | 2130 | 3200 | 4260 | 5330 | 6400 | 7460 | 8530 | 9600 | 10660 | 11730 | |
| Latitude | | GEO value | | | | | | | | | | | |
| 0°00' | 5°46' | 5 | 4 | 4 | 3 | 3 | 2 | 2 | 1 | 1 | 0 | 0 | |
| 5°46' | 9°52' | 5 | 5 | 4 | 4 | 3 | 3 | 2 | 2 | 1 | 1 | 0 | |
| 9°52' | 12°44' | 6 | 5 | 5 | 4 | 4 | 3 | 3 | 2 | 2 | 1 | 1 | |
| 12°44' | 15°06' | 6 | 6 | 5 | 5 | 4 | 4 | 3 | 3 | 2 | 2 | 1 | |
| 15°06' | 17°10' | 7 | 6 | 6 | 5 | 5 | 4 | 4 | 3 | 3 | 2 | 2 | |
| 17°10' | 19°02' | 7 | 7 | 6 | 6 | 5 | 5 | 4 | 4 | 3 | 3 | 2 | |
| 19°02' | 20°45' | 8 | 7 | 7 | 6 | 6 | 5 | 5 | 4 | 4 | 3 | 3 | |
| 20°45' | 22°22' | 8 | 8 | 7 | 7 | 6 | 6 | 5 | 5 | 4 | 4 | 3 | |
| 22°22' | 23°54' | 9 | 8 | 8 | 7 | 7 | 6 | 6 | 5 | 5 | 4 | 4 | |
| 23°54' | 25°21' | 9 | 9 | 8 | 8 | 7 | 7 | 6 | 6 | 5 | 5 | 4 | |
| 25°21' | 26°45' | 10 | 9 | 9 | 8 | 8 | 7 | 7 | 6 | 6 | 5 | 5 | |
| 26°45' | 28°06' | 10 | 10 | 9 | 9 | 8 | 8 | 7 | 7 | 6 | 6 | 5 | |
| 28°06' | 29°25' | 11 | 10 | 10 | 9 | 9 | 8 | 8 | 7 | 7 | 6 | 6 | |
| 29°25' | 30°41' | 11 | 11 | 10 | 10 | 9 | 9 | 8 | 8 | 7 | 7 | 6 | |
| 30°41' | 31°56' | 12 | 11 | 11 | 10 | 10 | 9 | 9 | 8 | 8 | 7 | 7 | |
| 31°56' | 33°09' | 12 | 12 | 11 | 11 | 10 | 10 | 9 | 9 | 8 | 8 | 7 | |
| 33°09' | 34°21' | 13 | 12 | 12 | 11 | 11 | 10 | 10 | 9 | 9 | 8 | 8 | |
| 34°21' | 35°31' | 13 | 13 | 12 | 12 | 11 | 11 | 10 | 10 | 9 | 9 | 8 | |
| 35°31' | 36°41' | 14 | 13 | 13 | 12 | 12 | 11 | 11 | 10 | 10 | 9 | 9 | |
| 36°41' | 37°50' | 14 | 14 | 13 | 13 | 12 | 12 | 11 | 11 | 10 | 10 | 9 | |
| 37°50' | 38°58' | 15 | 14 | 14 | 13 | 13 | 12 | 12 | 11 | 11 | 10 | 10 | |
| 38°58' | 40°05' | 15 | 15 | 14 | 14 | 13 | 13 | 12 | 12 | 11 | 11 | 10 | |
| 40°05' | 41°12' | 16 | 15 | 15 | 14 | 14 | 13 | 13 | 12 | 12 | 11 | 11 | |
| 41°12' | 42°19' | 16 | 16 | 15 | 15 | 14 | 14 | 13 | 13 | 12 | 12 | 11 | |
| 42°19' | 43°26' | 17 | 16 | 16 | 15 | 15 | 14 | 14 | 13 | 13 | 12 | 12 | |
| 43°26' | 44°32' | 17 | 17 | 16 | 16 | 15 | 15 | 14 | 14 | 13 | 13 | 12 | |
| 44°32' | 45°38' | 18 | 17 | 17 | 16 | 16 | 15 | 15 | 14 | 14 | 13 | 13 | |
| 45°38' | 46°45' | 18 | 18 | 17 | 17 | 16 | 16 | 15 | 15 | 14 | 14 | 13 | |
| 46°45' | 47°51' | 19 | 18 | 18 | 17 | 17 | 16 | 16 | 15 | 15 | 14 | 14 | |
| 47°51' | 48°58' | 19 | 19 | 18 | 18 | 17 | 17 | 16 | 16 | 15 | 15 | 14 | |
| 48°58' | 50°06' | 20 | 19 | 19 | 18 | 18 | 17 | 17 | 16 | 16 | 15 | 15 | |
| 50°06' | 51°13' | 20 | 20 | 19 | 19 | 18 | 18 | 17 | 17 | 16 | 16 | 15 | |
| 51°13' | 52°22' | 21 | 20 | 20 | 19 | 19 | 18 | 18 | 17 | 17 | 16 | 16 | |
| 52°22' | 53°31' | 21 | 21 | 20 | 20 | 19 | 19 | 18 | 18 | 17 | 17 | 16 | |
| 53°31' | 54°41' | 22 | 21 | 21 | 20 | 20 | 19 | 19 | 18 | 18 | 17 | 17 | |
| 54°41' | 55°52' | 22 | 22 | 21 | 21 | 20 | 20 | 19 | 19 | 18 | 18 | 17 | |
| 55°52' | 57°04' | 23 | 22 | 22 | 21 | 21 | 20 | 20 | 19 | 19 | 18 | 18 | |
| 57°04' | 58°17' | 23 | 23 | 22 | 22 | 21 | 21 | 20 | 20 | 19 | 19 | 18 | |
| 58°17' | 59°32' | 24 | 23 | 23 | 22 | 22 | 21 | 21 | 20 | 20 | 19 | 19 | |
| 59°32' | 60°49' | 24 | 24 | 23 | 23 | 22 | 22 | 21 | 21 | 20 | 20 | 19 | |
| 60°49' | 62°90' | 25 | 24 | 24 | 23 | 23 | 22 | 22 | 21 | 21 | 20 | 20 | |
| 62°90' | 63°30' | 25 | 25 | 24 | 24 | 23 | 23 | 22 | 22 | 21 | 21 | 20 | |
| 63°30' | 64°55' | 26 | 25 | 25 | 24 | 24 | 23 | 23 | 22 | 22 | 21 | 21 | |
| 64°55' | 66°24' | 26 | 26 | 25 | 25 | 24 | 24 | 23 | 23 | 22 | 22 | 21 | |
| 66°24' | 67°57' | 27 | 26 | 26 | 25 | 25 | 24 | 24 | 23 | 23 | 22 | 22 | |
| 67°57' | 69°35' | 27 | 27 | 26 | 26 | 25 | 25 | 24 | 24 | 23 | 23 | 22 | |
| 69°35' | 71°21' | 28 | 27 | 27 | 26 | 26 | 25 | 25 | 24 | 24 | 23 | 23 | |
| 71°21' | 73°16' | 28 | 28 | 27 | 27 | 26 | 26 | 25 | 25 | 24 | 24 | 23 | |
| 73°16' | 75°24' | 29 | 28 | 28 | 27 | 27 | 26 | 26 | 25 | 25 | 24 | 24 | |
| 75°24' | 77°52' | 29 | 29 | 28 | 28 | 27 | 27 | 26 | 26 | 25 | 25 | 24 | |
| 77°52' | 80°56' | 30 | 29 | 29 | 28 | 28 | 27 | 27 | 26 | 26 | 25 | 25 | |
| 80°56' | 85°45' | 30 | 30 | 29 | 29 | 28 | 28 | 27 | 27 | 26 | 26 | 25 | |
| 85°45' | 90°00' | 31 | 30 | 30 | 29 | 29 | 28 | 28 | 27 | 27 | 26 | 26 | |

8. COMPLIANCE

Compliance to the following standards is indicated by the corresponding mark on the product.

| Mark | Standard |
|---|--|
|  | This product complies with the applicable harmonized standards of EU Directives 2011/65/EU (RoHS), 2014/30/EU (EMC), 2014/35/EU (LVD) and 2014/31/EU (NAWI). The EU Declaration of Conformity is available online at www.ohaus.com/ce . |
|  | This product complies with the EU Directive 2012/19/EU (WEEE) and 2006/66/EC (Batteries). Please dispose of this product in accordance with local regulations at the collecting point specified for electrical and electronic equipment. For disposal instructions in Europe, refer to www.ohaus.com/weee . |
|  | EN 61326-1 |
|  | UL Std. No. 61010-1 CAN/CSA-C22.2 No. 61010-1 |

ISED Canada Compliance Statement:

This Class A digital apparatus complies with Canadian ICES-003.

ISO 9001 Registration

The management system governing the production of this product is ISO 9001 certified.

FCC Supplier Declaration of Conformity

Unintentional Radiator per 47CFR Part B
Trade Name: OHAUS CORPORATION
Model or Family identification: Defender6000

Issuing Party that Assembled the Product:

Ohaus Instruments (Changzhou) Co., Ltd.
2F, 22 Block, 538 West Hehai Road, Xinbei District, Changzhou
Jiangsu 213022
China
Phone: +86 519 85287270

Responsible Party – U.S. Contact Information:

Ohaus Corporation
7 Campus Drive, Suite 310
Parsippany, NJ 07054
United States
Phone: +1 973 377 9000
Web: www.ohaus.com

FCC Compliance Statement:

Note: This equipment has been tested and found to comply with the limits for a Class A digital device, pursuant to part 15 of the FCC Rules. These limits are designed to provide reasonable protection against harmful interference when the equipment is operated in a commercial environment. This equipment generates, uses, and can radiate radio frequency energy and, if not installed and used in accordance with the instruction manual, may cause harmful interference to radio communications. Operation of this equipment in a residential area is likely to cause harmful interference in which case the user will be required to correct the interference at his own expense. Changes or modifications not expressly approved by the party responsible for compliance could void the user's authority to operate the equipment.

9. APPENDICES

9.1 Appendix A

MT Standard Continuous Output

A checksum character can be enabled or disabled with continuous output. The data consists of 17 or 18 bytes as shown in the standard continuous output.

Table 9-1.

Non-significant weight data and tare data digits are transmitted as spaces. The continuous output mode provides compatibility with OHAUS products that require real-time weight data. the standard continuous output. Table 9-1 shows the format for the standard continuous output.

Table 9-1: Standard Continuous Output Format

| | Status ² | | | Indicated Weight ³ | | | | | | Tare Weight ⁴ | | | | | | | | |
|-----------|---------------------|------|------|-------------------------------|-----|---|---|---|---|--------------------------|-----|----|----|----|----|-----|-----------------|------------------|
| Character | 1 | 2 | 3 | 4 | 5 | 6 | 7 | 8 | 9 | 10 | 11 | 12 | 13 | 14 | 15 | 16 | 17 | 18 |
| Data | STX ¹ | SB-A | SB-B | SB-C | MSD | - | - | - | - | LSD | MSD | - | - | - | - | LSD | CR ⁵ | CHK ⁶ |

Continuous Output Format Notes:

1. ASCII Start of Text character (02 hex), always transmitted.
2. Status bytes A, B and C. Refer to Table 5-2, Table 5-3, and Table 5-4 for details of the structure.
3. Displayed weight. Either gross or net weight. Six digits, no decimal point or sign. Insignificant leading zeroes are replaced with spaces.
4. Tare weight. Six digits of tare weight data. No decimal point in field.
5. ASCII Carriage Return <CR> character (0D hex).
6. Checksum, transmitted only if enabled in setup. Checksum is used to detect errors in the transmission of data. Checksum is defined as the 2's complement of the seven low order bits of the binary sum of all characters preceding the checksum character, including the <STX> and <CR> characters.

Table 9-2, Table 9-3, and Table 9-4 detail the status bytes for standard continuous output.

Table 9-2: Status Byte A Bit Definitions

| Bits 2, 1, and 0 | | | |
|------------------|---|------------|------------------------|
| 2 | 1 | 0 | Decimal Point Location |
| 0 | 0 | 0 | XXXXXX00 |
| 0 | 0 | 1 | XXXXXX0 |
| 0 | 1 | 0 | XXXXXX |
| 0 | 1 | 1 | XXXXX.X |
| 1 | 0 | 0 | XXXX.XX |
| 1 | 0 | 1 | XXX.XXX |
| 1 | 1 | 0 | XX.XXXX |
| 1 | 1 | 1 | X.XXXXX |
| Bits 4 and 3 | | | |
| 4 | 3 | Build Code | |
| 0 | 1 | X1 | |
| 1 | 0 | X2 | |
| 1 | 1 | X5 | |
| Bit 5 | | | Always = 1 |
| Bit 6 | | | Always = 0 |

Table 9-3: Status Byte B Bit Definitions

| Status Bits | Function |
|-------------|---|
| Bit 0 | Gross = 0, Net = 1 |
| Bit 1 | Sign, Positive = 0, Negative = 1 |
| Bit 2 | Out of Range = 1 (Over capacity or Under Zero) |
| Bit 3 | Motion = 1, Stable = 0 |
| Bit 4 | lb = 0, kg = 1 (see also Status Byte C, bits 0, 1, 2) |
| Bit 5 | Always = 1 |
| Bit 6 | Zero Not Captured after power-up = 1 |

Table 9-4: Status Byte C Bit Definitions

| Bits 2, 1, and 0 | | | Weight Description |
|------------------|---|---|--|
| 2 | 1 | 0 | |
| 0 | 0 | 0 | lb or kg, selected by Status Byte B, bit 4 |
| 0 | 0 | 1 | grams (g) |
| 0 | 1 | 0 | metric tons (t) |
| 0 | 1 | 1 | ounces (oz) |
| 1 | 0 | 0 | not used |
| 1 | 0 | 1 | not used |
| 1 | 1 | 1 | tons (ton) |
| 1 | 1 | 1 | no units |
| Bit 3 | | | Print Request = 1 |
| Bit 4 | | | Expand Data x 10 = 1, Normal = 0 |
| Bit 5 | | | Always = 1 |
| Bit 6 | | | Always = 0 |

9.2 Appendix B

MT-SICS Commands

| | Command | Function |
|---------|---------|---|
| LEVEL 0 | @ | Reset the scale |
| | I0 | Inquiry of all available SICS commands |
| | I1 | Inquiry of SICS level and SICS versions |
| | I2 | Inquiry of scale data |
| | I3 | Inquiry of scale software version |
| | I4 | Inquiry of serial number |
| | S | Send stable weight value |
| | SI | Send weight value immediately |
| | SIR | Send weight value repeatedly |
| | Z | Zero the scale |
| | ZI | Zero immediately |
| LEVEL 1 | D | Write text into display |
| | DW | Weight display |
| | SR | Send and repeat stable weight value |
| | T | Tare |
| | TA | Tare value |
| | TAC | Clear tare |
| | TI | Tare immediately |

| | Command | Function |
|---------|---------|---|
| LEVEL 2 | C2 | Calibrate with the external calibration weight |
| | C3 | Calibrate with the internal calibration weight |
| | I10 | Inquire or set scale ID |
| | I11 | Inquire of scale type |
| | P100 | Print out on the printer |
| | P101 | Print out stable weight value |
| | P102 | Print out current weight value immediately |
| | SIRU | Send weight value in the current unit immediately and repeat |
| | SIU | Send weight value in the current unit immediately |
| | SNR | Send stable weight value and repeat after every weight change |
| | SNRU | Send stable weight value in the current unit and repeat after every weight change |
| | SRU | Send weight value in the current unit and repeat |
| | ST | After pressing the Transfer key, send the stable weight value |
| | SU | Send stable weight value in the current unit |
| LEVEL 3 | M01 | Weighing mode |
| | M02 | Stability setting |
| | M03 | Autozero function |
| | M19 | Send calibration weight |
| | M21 | Inquire/set weight unit |
| | PRN | Print out at every printer interface |
| | RST | Restart |
| | SFIR | Send weight value immediately and repeat quickly |
| | SIH | Send weight value immediately in high resolution |
| | SWU | Switch weight unit |
| | SX | Send stable data record |
| | SXI | Send data record immediately |
| | SXIR | Send data record immediately and repeat |
| | U | Switch weight unit |

Tabla de contenidos

| | | |
|-----------|--|-----------|
| 1. | INTRODUCCIÓN | 3 |
| 1.1. | PRECAUCIONES DE SEGURIDAD..... | 3 |
| 1.2. | USO PREVISTO | 3 |
| 1.3. | VISTA GENERAL DE PIEZAS Y CONTROLES | 4 |
| 1.4. | PLACA BASE | 5 |
| 1.5. | FUNCIONES DE CONTROL | 6 |
| 2. | INSTALACIÓN | 9 |
| 2.1 | DESEMBALAJE | 9 |
| 2.2 | CONEXIONES EXTERNAS..... | 9 |
| 2.2.1 | Base de báscula con conector EasyConnect™..... | 9 |
| 2.2.2 | Entrada de corriente en i-DT61PW..... | 9 |
| 2.2.3 | Corriente AC al i-DT61XWE | 9 |
| 2.3 | CONEXIONES INTERNAS | 9 |
| 2.3.1 | Apertura de la carcasa | 9 |
| 2.3.2 | Base de báscula sin conector EasyConnect™..... | 10 |
| 2.3.3 | Cable de interfaz de comunicación con i-DT61PW..... | 14 |
| 2.3.4 | Cable de interfaz RS232 a i-DT61XWE..... | 15 |
| 2.4 | SOPORTE DE MONTAJE | 15 |
| 3. | FUNCIONAMIENTO | 16 |
| 3.1 | APAGADO Y ENCENDIDO DE LA BALANZA | 16 |
| 3.2 | MODO DE PESAJE | 16 |
| 3.2.1 | Introducción del modo y comenzar a pesar | 16 |
| 3.2.2 | Acumulación y estadísticas | 16 |
| 3.2.3 | Verificar..... | 17 |
| 3.2.4 | Configuraciones de la aplicación..... | 18 |
| 3.3 | MODO DE CONTEO | 19 |
| 3.3.1 | Introducción del modo | 19 |
| 3.3.2 | Establecer un APW..... | 19 |
| 3.3.3 | Iniciar el conteo..... | 19 |
| 3.3.4 | Configuraciones de la aplicación..... | 19 |
| 3.4 | MODO PORCENTAJE | 20 |
| 3.4.1 | Introducción del modo | 20 |
| 3.4.2 | Establecer un peso de referencia | 20 |
| 3.4.3 | Iniciar el pesaje por porcentaje | 20 |
| 3.4.4 | Configuraciones de la aplicación..... | 20 |
| 3.5 | MODO DINÁMICO..... | 21 |
| 3.5.1 | Introducción del modo | 21 |
| 3.5.2 | Iniciar el pesaje dinámico..... | 21 |
| 3.5.3 | Configuraciones de la aplicación..... | 21 |
| 3.6 | MODO DE LLENADO..... | 22 |
| 3.6.1 | Introducción del modo | 22 |
| 3.6.2 | Iniciar el llenado..... | 22 |
| 3.6.3 | Reinicio y pausa del llenado | 22 |
| 3.6.4 | Visualización de la Pantalla de la Matriz de Puntos..... | 22 |
| 3.6.5 | Configuraciones de la aplicación..... | 23 |
| 4. | CONFIGURACIONES DEL MENÚ | 24 |
| 4.1 | NAVEGACIÓN POR EL MENÚ | 24 |
| 4.1.1 | Menú de usuario | 24 |
| 4.1.2 | Botones de navegación | 25 |
| 4.2 | MENÚ DE CALIBRACIÓN..... | 26 |
| 4.2.1 | Calibración inicial | 26 |
| 4.2.2 | Calibración cero [ZEF]..... | 26 |
| 4.2.3 | Calibración de rango [SPR]..... | 26 |
| 4.2.4 | Calibración de la linealidad [L #]..... | 27 |
| 4.2.5 | Ajuste GEO [GEO]..... | 27 |
| 4.2.6 | Prueba de calibración [L.ESE]..... | 28 |

| | | |
|-----------|---|-----------|
| 4.2.7 | <i>Fin de Cal. [End]</i> | 28 |
| 4.3 | MENÚ DE CONFIGURACIÓN | 29 |
| 4.4 | MENÚ DE LECTURA..... | 33 |
| 4.5 | MENÚ DE UNIDADES..... | 35 |
| 4.6 | MENÚ GLP/GMP | 35 |
| 4.7 | COMUNICACIÓN | 36 |
| 4.7.1 | <i>Menú RS232</i> | 36 |
| 4.7.2 | <i>Menú imprimir</i> | 38 |
| 4.7.3 | <i>Configuración de RS485</i> | 41 |
| 4.7.4 | <i>Configuración de Ethernet</i> | 41 |
| 4.7.5 | <i>Configuración analógica</i> | 41 |
| 4.8 | MEMORIA | 41 |
| 4.8.1 | <i>Memoria del menú (para el modelo i-DT61PW)</i> | 41 |
| 4.8.2 | <i>Memoria USB (para el modelo i-DT61XWE)</i> | 41 |
| 4.8.3 | <i>Memoria Alibi (para el modelo i-DT61XWE)</i> | 42 |
| 4.9 | I.O DISCRETA (PARA EL MODELO I-DT61XWE) | 46 |
| 4.9.1 | <i>Tipo de I/O</i> | 46 |
| 4.9.2 | <i>Entrada</i> | 47 |
| 4.9.3 | <i>Salida</i> | 47 |
| 4.10 | CONFIGURACIÓN DE LA TECLA DE BLOQUEO | 47 |
| 4.11 | BIBLIOTECA (PARA EL MODELO I-DT61XWE) | 48 |
| 4.12 | USUARIO (PARA EL MODELO I-DT61XWE) | 50 |
| 4.13 | USB (PARA EL MODELO I-DT61XWE) | 52 |
| 4.13.1 | <i>Unidad de memoria USB</i> | 52 |
| 4.13.2 | <i>RFID</i> | 52 |
| 4.13.3 | <i>Código de Barras</i> | 53 |
| 4.13.4 | <i>Teclado</i> | 53 |
| 4.13.5 | <i>Dongle Wi-Fi/Bluetooth (Opcional)</i> | 53 |
| 5. | LEGAL FOR TRADE | 56 |
| 5.1 | CONFIGURACIONES..... | 56 |
| 5.2 | VERIFICACIÓN..... | 56 |
| 5.3 | SELLADO | 56 |
| 6. | MANTENIMIENTO | 58 |
| 6.1 | LIMPIEZA..... | 58 |
| 6.1.1 | <i>Limpieza del modelo i-DT61PW</i> | 58 |
| 6.1.2 | <i>Limpieza del modelo i-DT61XWE</i> | 58 |
| 6.2 | RESOLUCIÓN DE PROBLEMAS | 59 |
| 6.3 | INFORMACIÓN DE SERVICIO | 60 |
| 7. | DATOS TÉCNICOS | 60 |
| 7.1 | ESPECIFICACIONES..... | 60 |
| 7.2 | TABLA DE GEOVALORES | 63 |
| 8. | CUMPLIMIENTO DE NORMATIVAS | 64 |
| 9. | APÉNDICES | 65 |
| 9.1 | APÉNDICE A..... | 65 |
| 9.2 | APÉNDICE V | 67 |

1. INTRODUCCIÓN

Este manual contiene las instrucciones de instalación, funcionamiento y mantenimiento los indicadores i-DT61PW e i-DT61XWE. Lea este manual íntegramente antes de la instalación y el funcionamiento.

1.1. Precauciones de seguridad

Definición de los símbolos y señales de aviso

Las notas de seguridad aparecen indicadas con palabras indicativas y símbolos de aviso. Muestran avisos y temas relacionados con la seguridad. Ignorar las notas de seguridad puede conllevar lesiones personales, daños al aparato, un mal funcionamiento o resultados falsos.

AVISO: Para una situación peligrosa con un riesgo medio; si no se evita, puede conllevar lesiones graves o la muerte.

PRECAUCIÓN: Para una situación peligrosa con un riesgo bajo; si no se evita puede conllevar daños al aparato o a otros bienes, pérdidas de datos, o lesiones leves o medias.

ATENCIÓN: Para información importante acerca del producto. Si no se evita puede conllevar daños en el equipo.

NOTA Para información útil acerca del producto.

Símbolos de aviso



Peligro general



Peligro de explosión



Peligro de descarga eléctrica

Precauciones de seguridad



PRECAUCIÓN Lea todas las recomendaciones de seguridad antes de realizar la instalación, las conexiones, o de llevar a cabo cualquier mantenimiento en este equipo. Si no se cumplen estos avisos, puede conllevar lesiones personales y/o daños en otros bienes. Conserve todas las instrucciones para futuras consultas.

- Antes de conectarlo a la corriente, compruebe que el rango de tensión de entrada del adaptador de CA y el tipo de enchufe son compatibles con la fuente de alimentación local de CA.
- No coloque el equipo de tal forma que sea complicado alcanzar la conexión a la corriente.
- Conecte el cable de corriente únicamente a un enchufe con toma a tierra.
- Asegúrese de que el cable de corriente no suponga un obstáculo en potencia o un peligro para tropezarse.
- Utilice el equipo solo bajo las condiciones ambientales que se especifican en estas instrucciones.
- Este equipo es solo para uso en interiores.
- No utilice el equipo en entornos peligrosos o inestables.
- No coloque el equipo boca abajo sobre la plataforma.
- Utilice solo accesorios y periféricos aprobados.
- Desconecte el equipo de la fuente de alimentación cuando lo limpie.
- El mantenimiento debe ser llevado a cabo solo por personal autorizado.



ATENCIÓN: No trabaje nunca en un entorno que esté sujeto a peligro de explosión. La carcasa del equipo no es hermética al gas. (Peligro de explosión debido a la generación de chispas, corrosión provocada por la entrada de gases).



ATENCIÓN: Dentro de la carcasa existe el peligro de descargas eléctricas. La carcasa solo debe ser abierta por personal autorizado y cualificado. Antes de abrirla, desconecte todas las tomas de alimentación.

1.2. Uso previsto

Este instrumento está previsto para ser utilizado en la industria ligera. Solo debe ser utilizado para medir los parámetros descritos en las presentes instrucciones de funcionamiento. Cualquier otro tipo de uso o de funcionamiento que exceda los límites de las especificaciones técnicas, y que no cuente con el consentimiento por escrito de OHAUS, será considerado como no previsto. Este dispositivo cumple con los estándares industriales vigentes y con las normativas de seguridad aprobadas; sin embargo, su uso puede conllevar ciertos peligros, Si el dispositivo no se utiliza de acuerdo con estas instrucciones de funcionamiento, las medidas de seguridad con las que va equipado se verán afectadas.

1.3. Vista general de piezas y controles

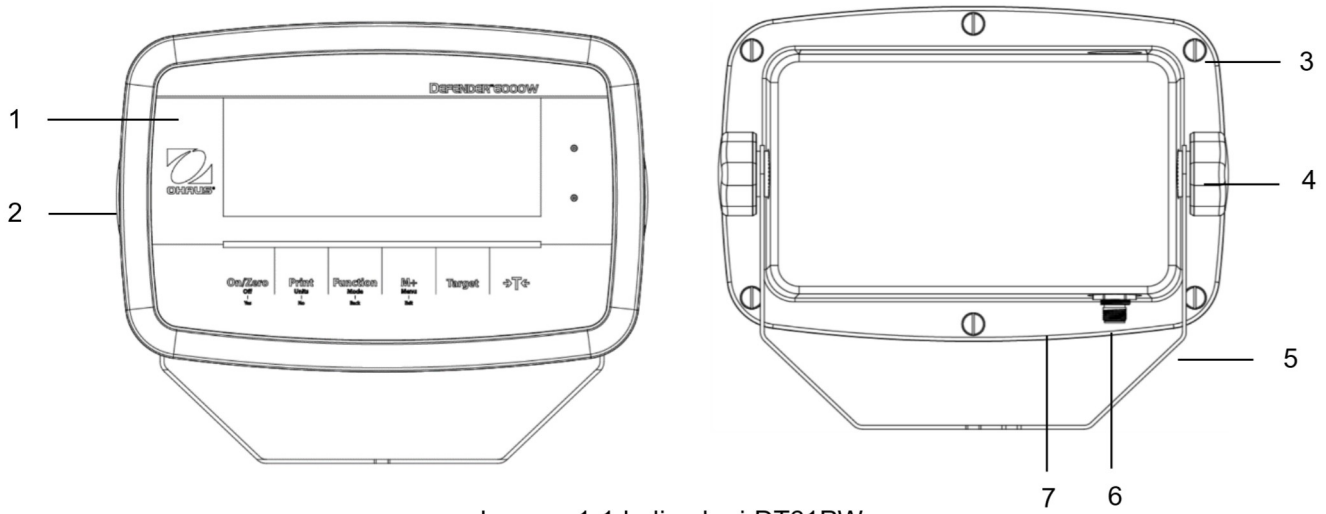


Imagen 1-1 Indicador i-DT61PW

| Elemento | Descripción |
|----------|------------------------------|
| 1 | Panel de control |
| 2 | Carcasa frontal |
| 3 | Tornillos (6) |
| 4 | Perillas de ajuste (2) |
| 5 | Soporte de montaje |
| 6 | Conector de células de carga |
| 7 | Carcasa trasera |

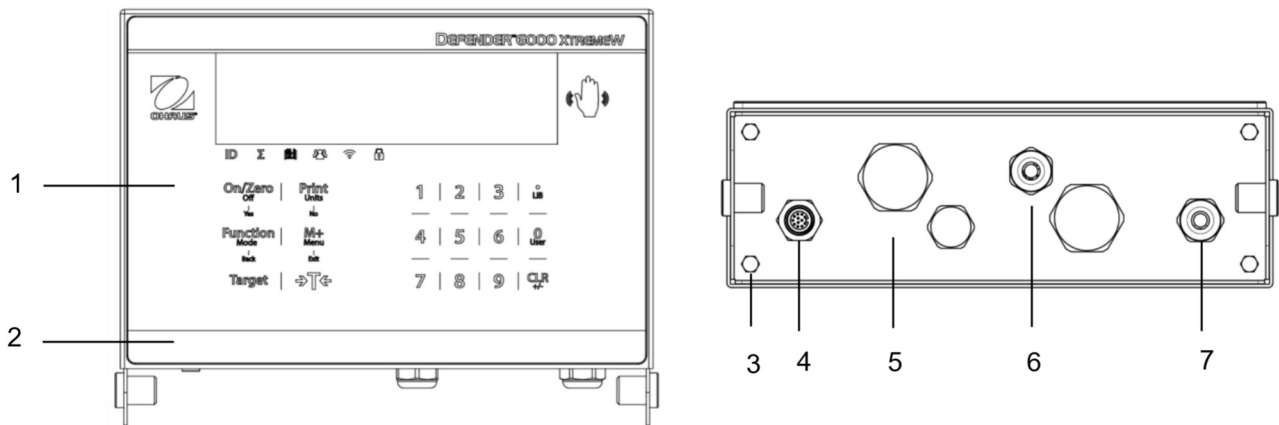
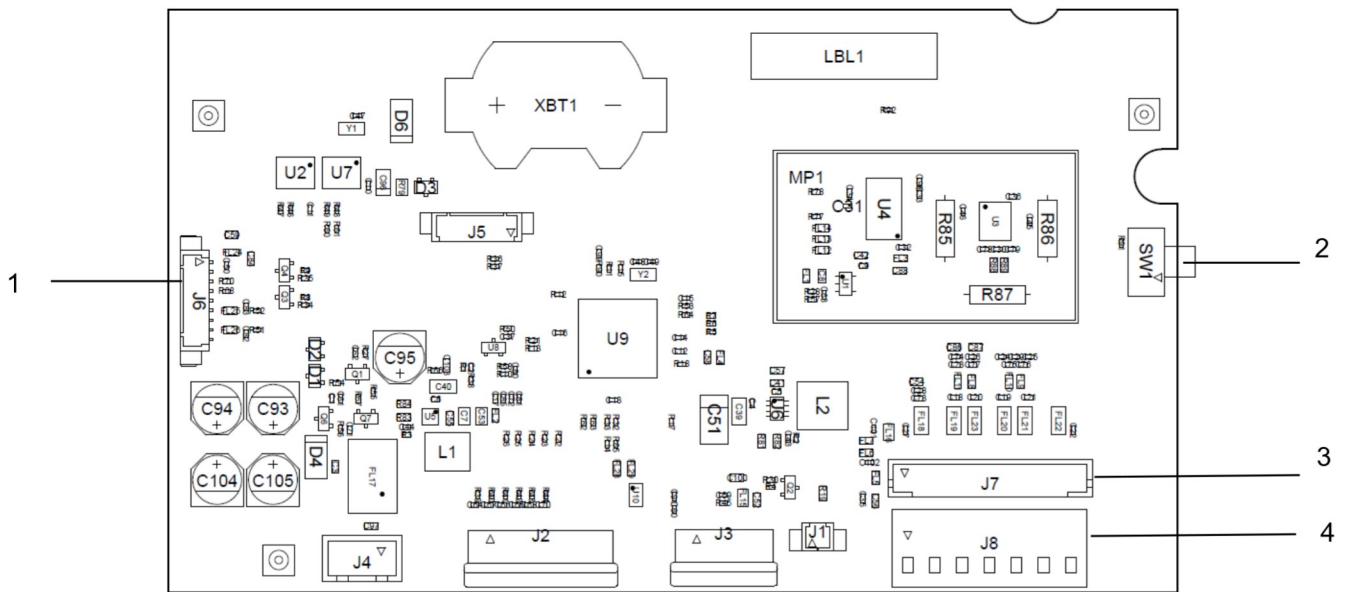


Imagen 1-2 Indicador i-DT61XWE

| Elemento | Descripción |
|----------|------------------------------|
| 1 | Panel de control |
| 2 | Carcasa frontal |
| 3 | Tornillos (4) |
| 4 | Conector de células de carga |
| 5 | Carcasa inferior |
| 6 | Prensacables opcional |
| 7 | Cable de corriente |

1.4. Placa base



.Imagen 1-3 Placa base i-DT61PW

| Elemento | Descripción |
|----------|--|
| 1 | Conector de comunicación IR (J6) |
| 2 | Interrupor de seguridad (SW1) |
| 3 | Conector de células de carga (J7) |
| 4 | Bloque del terminal de células de carga (J8) |

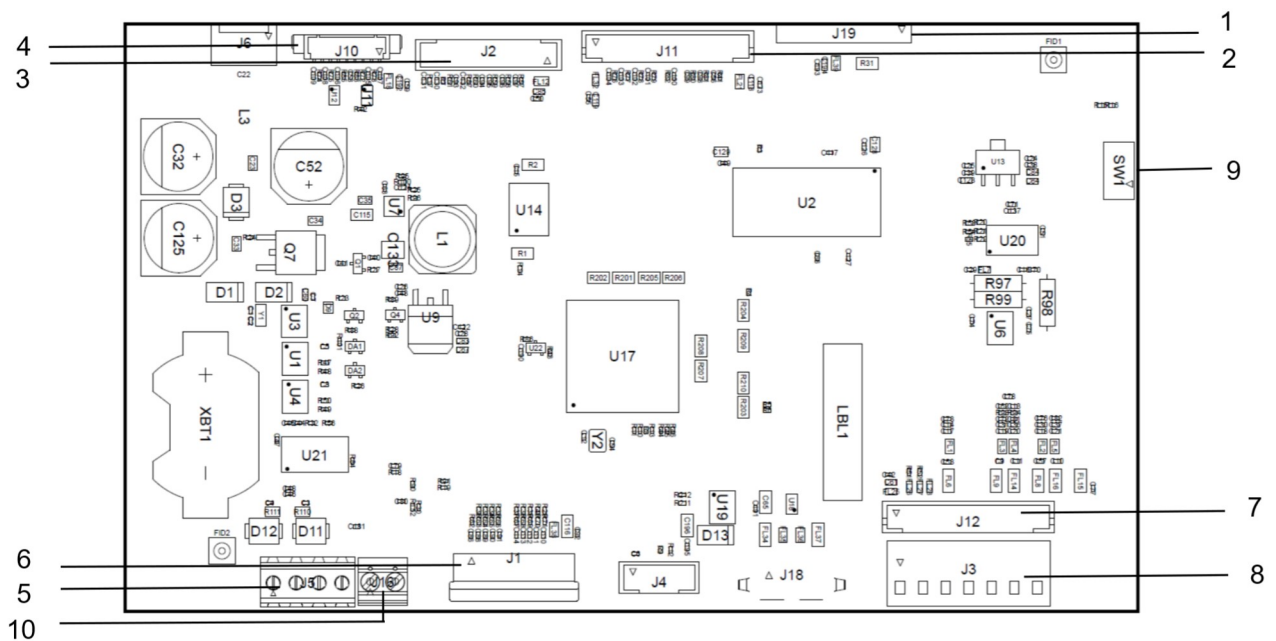


Imagen 1-4 Placa base i-DT61XWE

| Elemento | Descripción | Elemento | Descripción |
|----------|---|----------|--|
| 1 | Conector de placa de memoria Alibi (J19) | 6 | Conector del teclado (J1) |
| 2 | Conector del dispositivo Discreto I/O/Analógico/RS232-RS485-USB (J11) | 7 | Conector de células de carga (J12) |
| 3 | Conector de la placa de la pantalla (J2) | 8 | Bloque del terminal de células de carga (J3) |
| 4 | Conector Ethernet (J10) | 9 | Conector del interruptor de seguridad (SW1) |
| 5 | Conector RS232 (J5) | 10 | Entrada0 discreta (J16) |

1.5. Funciones de control



Panel de control i-DT61PW



Panel de control i-DT61XWE

| Botón | On/Zero Off Yes | Print Units No | Function Mode Back | M+ Menu Exit | Target | →T← |
|--------------------------------------|--|---|---|--|--|--|
| Función primaria (Pulsación corta) | On/Zero Si la terminal está apagada, pulse para encenderla. Si la terminal está encendida, pulse para establecer el punto cero. | Print Envía el valor actual a los puertos COM seleccionados si está activada la opción IMPRESIÓN AUTOMÁTICA. | Function Inicia un modo de aplicación. | M+ Acumula el peso o muestra la información acumulada sin carga en el plato. | Target Establece un valor límite inferior/superior para la Comprobación. | Tare Introduce/borra un valor de tara; Cuando aparezcan los datos de acumulación, pulse para borrarlos. |
| Función secundaria (Pulsación larga) | Off Si la terminal está encendida, pulse para apagarla. | Units Cambia la unidad de pesaje. | Mode Permite cambiar el modo de aplicación. | Menu Accede al Menú de usuario. | Target Muestra un valor límite inferior/superior para la Comprobación. | Tare Muestra el peso de tara. |
| Función del menú. (Pulsación corta) | Yes Acepta la configuración actual en la pantalla. | No Avanza al siguiente menú o elemento del menú. Rechaza la configuración actual en la pantalla y avanza al siguiente modo disponible. | Back Vuelve al elemento de menú anterior. | Exit Sale del Menú de usuario. Cancela la calibración en curso. | | |

Notas:

- Pulsación corta: pulsar menos de 1 segundo.
- Pulsación larga: mantener pulsado más de 2 segundos.

Teclado numérico (i-DT61XWE)

| | | | | |
|--------------------------------------|---|--|--|--|
| | | | | |
| Función primaria (Pulsación corta) | 1-9 Introduce valores numéricos | . Introduce un punto decimal (.) | 0 Introduce valores numéricos 0. | CLR Borra el valor introducido. Borra una APW existente. Cuando aparezcan los datos de acumulación, pulse para borrarlos. |
| Función secundaria (Pulsación larga) | | LIB Busca elementos de la biblioteca con teclas numéricas. | Usuario Busca usuarios con teclas numéricas. | +/- Cambia entre el valor positivo y negativo. |

Nota: para el modelo i-DT61XWE, si pulsa a la vez durante tres segundos los botones y puede bloquear todos los botones. Al realizar de nuevo el mismo procedimiento puede desbloquear todos los botones.

Cuando todos los botones estén bloqueados, se encenderá el icono .

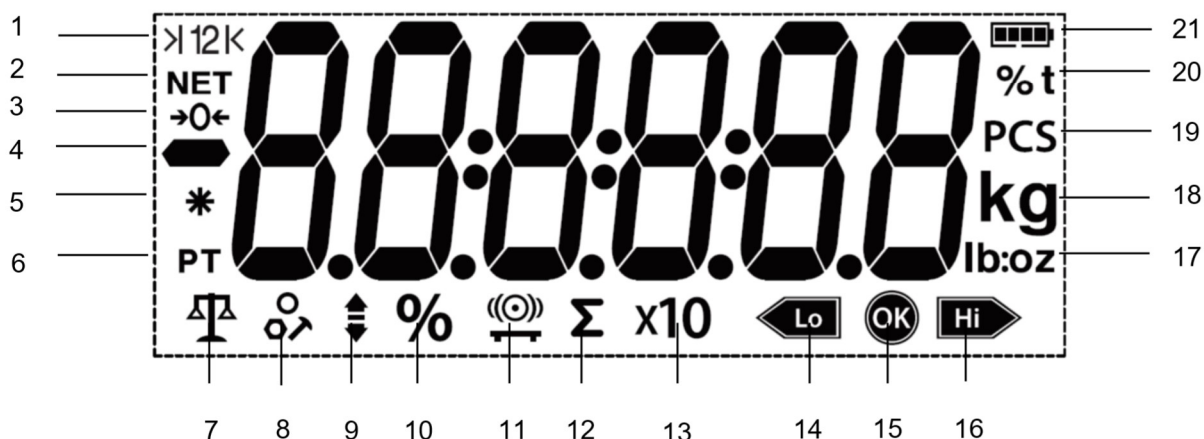


Imagen 1-5 Pantalla i-DT61PW

| Elemento | Descripción | Elemento | Descripción |
|----------|--|----------|--|
| 1 | Símbolo del rango (no se usa) | 12 | Símbolo de acumulación |
| 2 | Símbolo NETO | 13 | Símbolo de extensión de la resolución (no se usa) |
| 3 | Símbolo del centro de cero | 14 | Símbolo inferior de comprobación del pesaje |
| 4 | Símbolo negativo | 15 | Símbolo aceptable |
| 5 | Símbolo de peso estable | 16 | Símbolo superior de comprobación del pesaje |
| 6 | Símbolos de tara, tara predefinida | 17 | Símbolos de libra, onza, libra:onza |
| 7 | Símbolo de modo de pesaje | 18 | Símbolos de kilogramo, gramo |
| 8 | Símbolo de modo de conteo | 19 | Símbolo de unidades |
| 9 | Símbolo de modo de comprobación del pesaje | 20 | Símbolo de porcentaje, símbolo de tonelada (no se usa) |
| 10 | Símbolo de modo de pesaje de porcentaje | 21 | Símbolo de la batería |
| 11 | Símbolo de modo de pesaje dinámico | | |



Imagen 1-6 Pantalla i-DT61XWE

| Elemento | Descripción | Elemento | Descripción |
|----------|------------------------------------|----------|---|
| 1 | Símbolo NETO | 11 | Símbolo Wi-Fi |
| 2 | Símbolo del centro de cero | 12 | Símbolo de bloqueo |
| 3 | Símbolo negativo | 13 | Símbolo dinámico (tilde) |
| 4 | Símbolo de peso estable | 14 | Símbolo de la batería (no se usa) |
| 5 | Símbolos de tara, tara predefinida | 15 | Símbolos de libra, onza, libra:onza |
| 6 | Símbolos de indicación | 16 | Símbolo de porcentaje |
| 7 | Símbolo de ID | 17 | Símbolos de kilogramo, gramo |
| 8 | Símbolo de acumulación | 18 | Símbolo de unidades, símbolo de tonelada (no se usan) |
| 9 | Símbolo de biblioteca | 19 | Símbolo de balanza (no se usa) |
| 10 | Símbolo de usuario | | |

2. INSTALACIÓN

2.1 Desembalaje

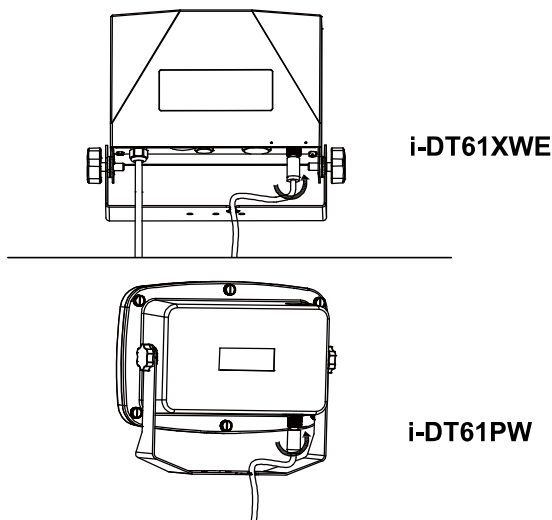
Desembale los siguientes elementos

- Indicador i-DT61PW o i-DT61XWE
- 6 células de baterías secas tamaño D (solo i-DT61PW)
- Soporte de montaje
- Perillas (2)
- Guía de instalación rápida
- Manual de instrucciones

2.2 Conexiones externas

2.2.1 Base de báscula con conector EasyConnect™

Para conectar la base de la balanza OHAUS con el conector EasyConnect™ a la terminal, enchufe el conector de la base al conector de la célula de carga externa situado en la parte inferior del terminal. A continuación, gire el anillo de bloqueo del conector de la base en el sentido de las agujas del reloj. Compruebe los detalles en la siguiente imagen.



2.2.2 Entrada de corriente en i-DT61PW

Utilice baterías secas de 6 celdas tamaño D. Durante el funcionamiento con batería, el símbolo de la batería indica el estado de la batería.



2.2.3 Corriente AC al i-DT61XWE

Conecte la toma AC a un enchufe.

2.3 Conexiones internas

Para algunas conexiones es necesario abrir la carcasa.

2.3.1 Apertura de la carcasa



PRECAUCIÓN: PELIGRO DE DESCARGA ELÉCTRICA. RETIRE TODAS LAS TOMAS DE ALIMENTACIÓN DEL INDICADOR ANTES DE REALIZAR EL MANTENIMIENTO O LAS CONEXIONES INTERNAS. LA CARCASA SOLO DEBE SER ABIERTA POR PERSONAL AUTORIZADO Y CUALIFICADO, COMO POR EJEMPLO UN TÉCNICO ELECTRICISTA.

i-DT61PW

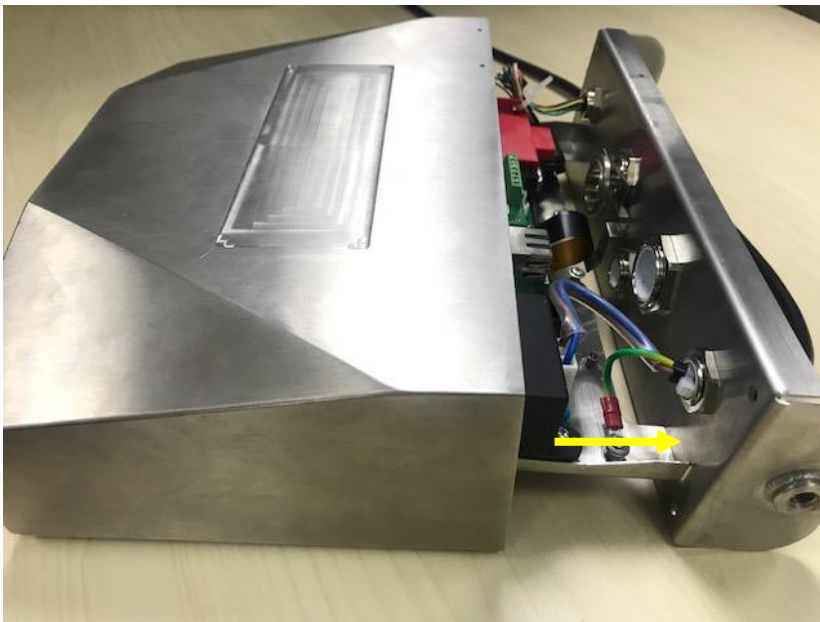
1. Retire los seis tornillos de cabeza Phillips de la carcasa trasera.
2. Retire la carcasa frontal. Tenga cuidado de no modificar las conexiones internas.
3. Una vez que estén realizadas todas las conexiones, vuelva a colocar la carcasa frontal.

i-DT61XWE

1. Retire los cuatro tornillos de cabeza hexagonal de la carcasa inferior.



2. Abra la carcasa empujando hacia atrás con cuidado la cubierta inferior.



3. Una vez que estén realizadas todas las conexiones, vuelva a colocar la cubierta inferior.

Nota: Los tornillos deben apretarse con un par de apriete de 2,5 N-m (20-25 in-lb) para asegurar un cierre hermético.

2.3.2 Base de báscula sin conector EasyConnect™

Para conectar las bases (que no disponen del conector EasyConnect™) a los modelos i-DT61PW o i-DT61XWE, hay disponible como accesorio un kit de prensacables para células de carga (P/N 30379716).

Retirada del conector preinstalado de la célula de carga y del juego de cables

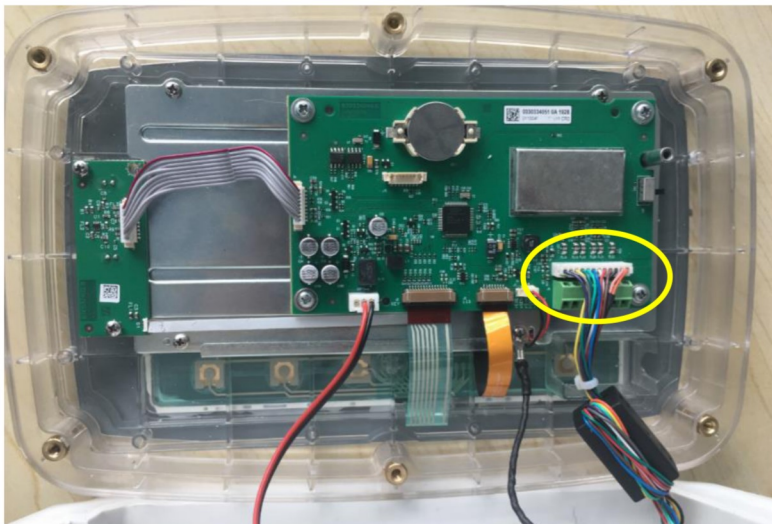
Antes de llevar a cabo las conexiones, retire el conector de células de carga preinstalado y el juego de cables siguiendo los siguientes pasos.

i-DT61PW

1. Retire los 6 tornillos de cabeza Phillips, y abra la carcasa trasera empujando hacia adelante con cuidado la carcasa frontal.
2. Desenchufe los conectores blancos de células de carga de la carcasa principal (dos círculos).



3. Abra la cubierta frontal soltando los 12 tornillos de cabeza Phillips.
4. Desenchufe los conectores blancos de células de carga de la placa principal PCBA.

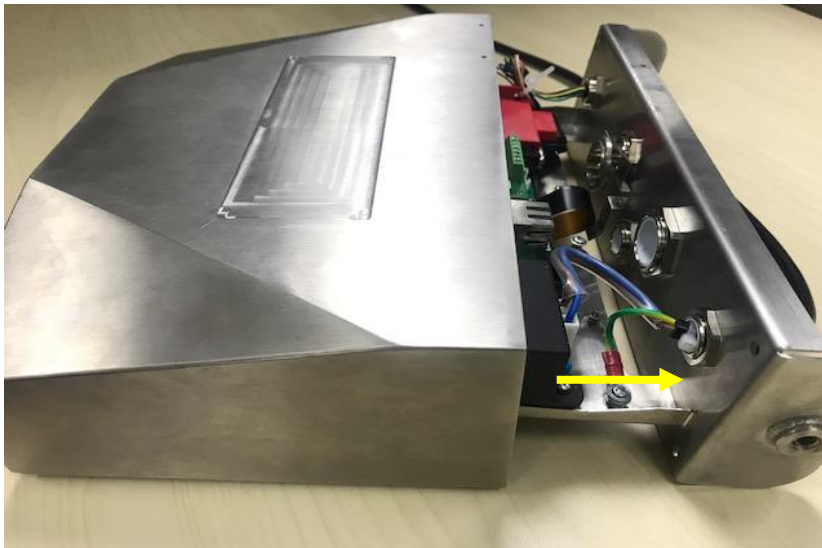


i-DT61XWE

1. Coloque el terminal boca abajo, y desenrosque los tornillos marcados en el siguiente gráfico.



2. Extraiga la parte inferior del terminal.



3. Use un destornillador para desatornillar la tapa de sellado.



4. Tire de la parte que sobresale de la tapa de sellado un poco hacia adelante para liberarla.



5. Extraiga la tapa de sellado y desconecte los conectores blancos de células de carga.



Instalación del cable y los conectores de la célula de carga

Para cumplir con ciertos límites de emisión de ruido eléctrico y para proteger los modelos i-DT61PW y el i-DT61XWE de las influencias externas, es necesario instalar un núcleo de ferrita en el cable de la célula de carga que va conectada al terminal. El núcleo de ferrita va incluido con el terminal.

Para instalar la ferrita, basta con pasar el cable a través del centro del núcleo y a continuación darle una vuelta alrededor de la parte exterior del núcleo y volver a pasar el cable a través del centro. Se puede envolver el cable completo o los cables individuales a través de la ferrita. Esto debe hacerse lo más cerca posible de la zona eléctrica cerrada. Ver imagen 2-1.



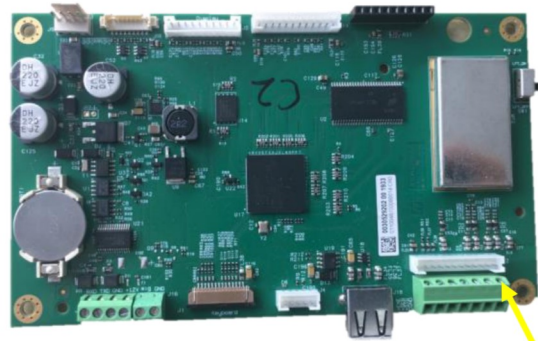
Imagen 2-1

Conexión de cableado de la placa principal

Una vez abierta la zona eléctrica cerrada de los modelos i-DT61PW e i-DT61XWE se pueden realizar las conexiones a los bloques del terminal en la placa principal, tal y como se muestra en la imagen 2-2.



i-DT61PW



i-DT61XWE

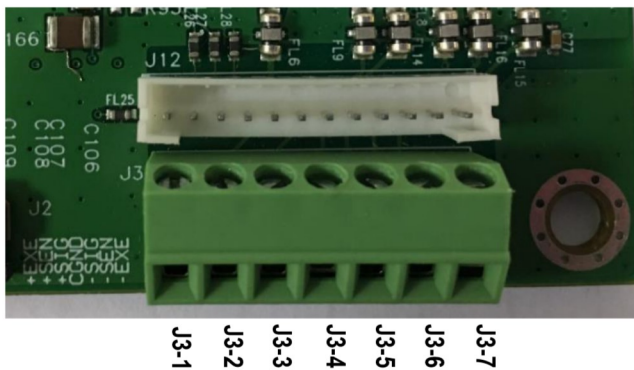
Bloques del terminal de células de carga

Imagen 2-2

Conexiones puente

Los indicadores i-DT61PW e i-DT61XWE están diseñados para soportar células de carga de 2mV/V y 3mV/V del mismo circuito. No es necesario un puente de selección de ratio de salida de célula de carga.

La imagen 2-3 muestran las definiciones del terminal para los bloques del terminal de células de carga analógicas. Tenga en cuenta que al usar células de carga de cuatro cables, los puentes deben colocarse entre los terminales +Excitación y el +Sentido y entre los terminales -Excitación y -Sentido.



| Clavija | Conexión |
|---------|----------|
| J3-1 | +EXC |
| J3-2 | +SEN |
| J3-3 | +SIN |
| J3-4 | GND |
| J3-5 | -SIN |
| J3-6 | -SEN |
| J3-7 | -EXC |

Imagen 2-3 Conexiones puente

Una vez finalizado el cableado, sustituya los tornillos de la carcasa del indicador. Asegúrese de que el prensacables estanco está correctamente apretado.

2.3.3 Cable de interfaz de comunicación con i-DT61PW

Conecte el cable de Comunicación IR (N/P: 30572910) al panel frontal del indicador, asegúrese de que los dos agujeros del módulo del cable de la interfaz coinciden con los dos pernos que se encuentran en el panel frontal.

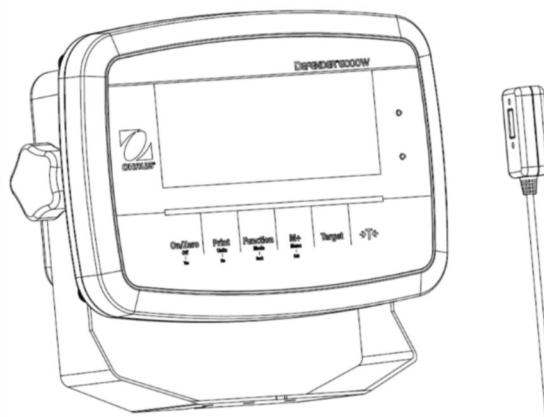


Imagen 2-4

2.3.4 Cable de interfaz RS232 a i-DT61XWE

Pase el cable RS232 opcional a través del prensacable y conéctelo al conector RS232 de la placa principal. Apriete el prensacable para mantener el sello hermético. Por favor, consulte en la Imagen 2-7 la posición del conector del puerto en serie RXD TXD y GND.

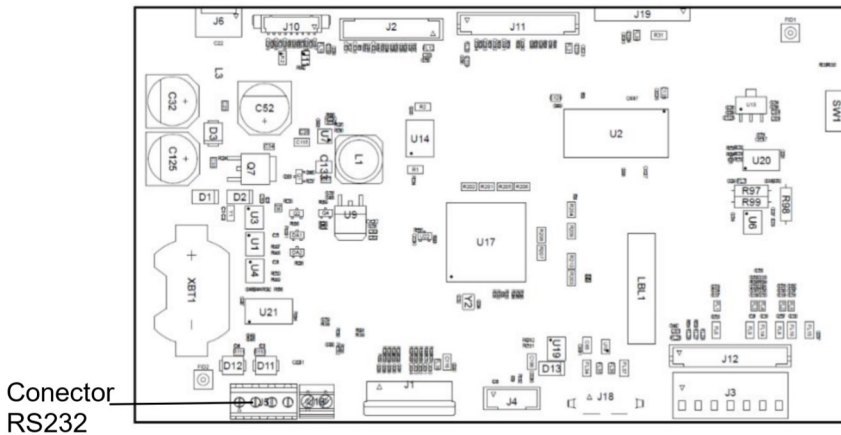
Nota:

- Consulte la sección Apertura de la carcasa para conocer cómo abrir la cubierta del terminal
- Para conocer más detalles acerca de la función Entrada0 discreta, consulte la sección I/O Discreta (para i-DT61XWE).



Imagen 2-5
Prensacables opcional

Entrada0 discreta



Conector RS232

Imagen 2-6 Conector RS232 conector a la placa principal



Imagen 2-7 Conector RS232

2.4 Soporte de montaje

Fije el soporte a una pared o a una mesa utilizando unas fijaciones (no suministradas) que sean apropiadas para el tipo de superficie de montaje. El soporte permite colocar tornillos de hasta 6 mm de diámetro (1/4"). Localice los orificios de montaje como se muestra en la Figura 2-8 y 2-9.

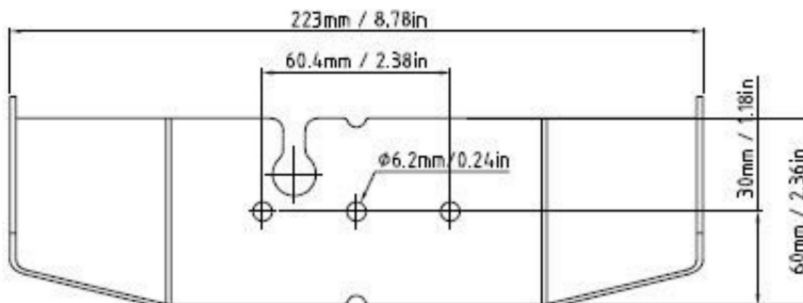


Imagen 2-8 Dimensiones del soporte de montaje para i-DT61PW

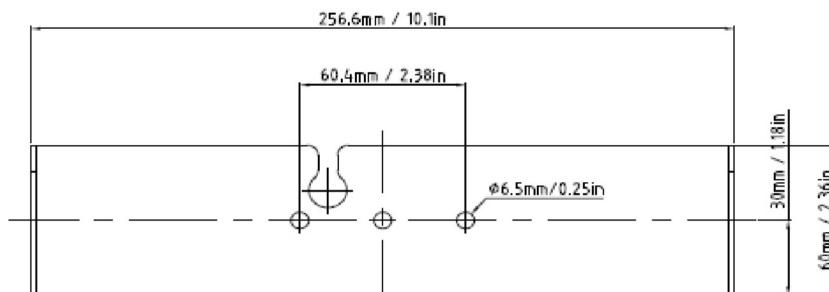


Imagen 2-9 Dimensiones del soporte de montaje para i-DT61XWE

3. FUNCIONAMIENTO

3.1 Apagado y encendido de la balanza

Para encender la balanza, mantenga pulsado el botón **On/Zero Off** durante 1 segundo. La balanza realiza una prueba de pantalla, momentáneamente aparece la versión del software, y a continuación pasa al modo de pesaje activo.


To apagar la balanza, mantenga pulsado el botón **On/Zero Off** hasta que aparezca **OFF**.

3.2 Modo de pesaje

Utilice esta aplicación para determinar el peso de los elementos en la unidad de medida seleccionada. Este modo es el ajuste de fábrica por defecto.

3.2.1 Introducción del modo y comenzar a pesar

Para introducir el modo de pesaje desde cualquier modo de la aplicación:

1. Mantenga pulsado el botón **Mode** hasta que aparezca **WEIGH**.
2. Si es necesario, coloque un contenedor vacío sobre la bandeja y pulse el botón  para realizar la tara.
3. Añada la muestra a la bandeja o al contenedor. La pantalla muestra el peso de la muestra.

Nota: Consulte la sección **Verificaciones** para consultar cómo usar las Verificaciones en el modo de pesaje.

3.2.2 Acumulación y estadísticas

La función de Acumulación permite la totalización manual o automática de los valores mostrados. Los datos estadísticos (peso total acumulado, pesos mínimos/máximos, unidades, porcentaje y número total de muestras) se almacenan en la memoria para su posterior revisión e impresión. La acumulación funciona conjuntamente con cada modo de aplicación, excepto con la función de Llenado, pero los datos de acumulación se borrarán cuando se cambie a otro modo.

3.2.2.1 Configuraciones

Hay cuatro opciones de acumulación:

- Apagado (**OFF**): desactiva la función de acumulación:
- Manual (**MANUAL**): presione el botón **M+** para realizar la acumulación de forma manual.
- Auto (**AUTO**): la balanza realizará la acumulación de forma manual.
- Aceptar (**ACCEPT**): La balanza realizará la acumulación de forma automática en el modo **Verificar** cuando el peso sobre la bandeja sea aceptable, y se encuentre entre los valores superior e inferior que haya establecido.

Para configurar las opciones de acumulación:

1. Mantenga presionado el botón **Menu** hasta que vea **C.R.L.**
2. Pulse una vez el botón **No**. Cuando vea **S.E.L.U.P**, pulse el botón **Yes**.
3. Pulse el botón **No** varias veces para navegar hasta que vea **ACCUM**. Pulse el botón **Yes**.
4. Pulse el botón **No** varias veces para seleccionar la opción de acumulación que desee. Anteriormente se han presentado las cuatro opciones. A continuación pulse el botón **Yes** para confirmar.
5. Pulse el botón **Exit** para salir.

3.2.2.2 Acumulación

Manual

Coloque el artículo sobre la balanza y pulse el botón **M+** para añadir el peso a la acumulación. El indicador Σ seguirá parpadeando hasta que peso sea retirado y la balanza esté estable.

Auto

Coloque el artículo sobre la balanza. El valor que se muestra se acumula automáticamente. El indicador Σ seguirá parpadeando hasta que peso sea retirado y la plataforma esté estable.


Aceptar

Coloque el artículo sobre la balanza en el modo Verificar. El valor que se muestra se acumula automáticamente. Cuando el peso es aceptable y se sitúa entre el valor inferior y superior que haya establecido.

3.2.2.3 Visualización y borrado de datos estadísticos.

Cuando la bandeja esté libre, pulse el botón **M+** para visualizar la acumulación y el resultado estadístico.



Para borrar los datos de la acumulación, pulse el botón **CLR** del terminal i-DT61XWE o el  botón del terminal i-DT61PW mientras se muestra la información estadística. Cuando aparezca en la pantalla **CLR.ACC**, pulse el botón **Yes** para borrar los datos almacenados y volver al modo actual.

Notas:

- Se debe retirar el artículo de la bandeja antes de poder acumular el siguiente artículo.
- Solo se almacenan los pesos estables.
- Si se cambia de modo se borrarán los datos de acumulación almacenados.
- Cuando la opción Legal for Trade está ENCENDIDA: para NTEP, el peso bruto y neto no se pueden añadir al mismo total. Si el primer peso se registra en bruto, los siguientes deberían registrarse del mismo modo. Ocurre lo mismo con el peso neto.

3.2.3 Verificar

Utilice esta aplicación para determinar el peso de artículos con un rango de peso objetivo. Este modo está disponible para Pesaje, Conteo, Porcentaje, y Dinámico.

3.2.3.1 Establecer los límites de verificación.

i-DT61PW

1. Pulse el botón **Target** desde el modo Pesaje, Conteo, Porcentaje y Dinámico para establecer los límites de verificación.
2. En la pantalla aparecerá **UNdEr**.
3. Pulse el botón **Yes** para editar el valor inferior.
4. Si hay un valor inferior almacenado de la ocasión anterior, aparecerá en la pantalla. Por ejemplo: 1,0 kg.
 - Pulse el botón **Yes** si desea utilizar este valor. En la pantalla aparecerá **QwEr**.
 - Pulse el botón **No** si no desea utilizar este valor, y salte al paso 6.
5. Si no hay un valor almacenado, aparece **000000** en la pantalla.
6. Para configurar un nuevo valor inferior, pulse **No** varias veces hasta que aparezca el número que desee. Pulse el botón **Yes** para aceptar el número y pasar al siguiente dígito. Repita el proceso hasta que todas las unidades sean correctas. Pulse el botón **Yes** para aceptar el valor. En la pantalla aparecerá **QwEr**.
7. Repita los pasos de 2 a 6 para establecer el valor superior.
8. Si los valores que configura no son válidos, aparecerá **--NO--** en la pantalla y volverá al reinicio.
9. Si los valores que configura son válidos, la pantalla irá a la pantalla de pesaje de verificación.

i-DT61XWE

1. Pulse el botón **Target** desde el modo Pesaje, Conteo, Porcentaje y Dinámico para establecer los límites de verificación.
2. En la pantalla aparecerá **UNdEr**.
3. Pulse el botón **Yes** para editar el valor inferior.
4. Si hay un valor inferior almacenado de la ocasión anterior, aparecerá en la pantalla.
 - Pulse el botón **Yes** si desea utilizar este valor.
 - Pulse el botón **No** si no desea utilizar este valor o no tiene un valor almacenado. Introduzca el valor que necesita con el teclado numérico. Pulse el botón **Yes** para aceptar el valor inferior.
2. En la pantalla aparecerá **QwEr**.
3. Repita los pasos de 2 a 3 para establecer el valor superior.
4. Si los valores que configura no son válidos, aparecerá **--NO--** en la pantalla y volverá al reinicio.
5. Si los valores que configura son válidos, la pantalla irá a la pantalla de pesaje de verificación.

3.2.3.2 Verificación positiva

La verificación positiva se utiliza para determinar si el material añadido a la báscula está dentro del rango objetivo. En este caso los valores inferior y superior deben ser valores positivos. (El valor superior debe ser mayor que el valor inferior.


Añada material a la plataforma de la báscula hasta que esté dentro del rango aceptable (en verde).

3.2.3.3 Verificación negativa

La verificación negativa se utiliza para determinar si el material retirado de la báscula está dentro del rango objetivo. En este caso los valores inferior y superior deben ser ambos valores negativos.


El valor inferior debe ser mayor que el superior. (Por ejemplo: si el valor inferior es -10; el valor superior debe ser -15).



Coloque el artículo a pesar sobre la balanza y pulse el botón . Retire una porción del artículo hasta que esté dentro del rango aceptable.

3.2.3.4 Verificación del cero


La verificación del cero se utiliza al comparar muestras posteriores con una muestra de referencia inicial. En este caso, el valor inferior debe ser un valor negativo y el valor superior debe ser un valor positivo.

Coloque el artículo de referencia sobre la balanza y pulse el botón .

Retire el material de la plataforma de la báscula hasta que la pantalla indique está dentro del rango aceptable (verde).

3.2.3.5 Borrar los límites de verificación

Mantenga pulsado el botón **Target**, hasta que la pantalla muestre el valor inferior y el superior.

Pulse el botón **CLR** del indicador i-DT61XWE o el botón  del indicador i-DT61PW, la pantalla mostrará **CLR.CHL**. Pulse el botón **Yes** para borrar el valor inferior y el superior.

3.2.4 Configuraciones de la aplicación

La aplicación se puede personalizar según las preferencias del usuario.

Para acceder a las configuraciones de la aplicación:

1. Mantenga presionado el botón **Menu** hasta que vea **C.A.L.**. Pulse el botón **No** varias veces para navegar hasta que vea **M.O.d.E.** Pulse el botón **Yes** para acceder a las configuraciones del modo de la aplicación.
2. Pulse el botón **No** varias veces para navegar hasta que vea la selección que desea.
3. Pulse el botón **Exit** para seleccionar.
4. Repita los pasos 2 y 3 varias veces hasta que termine con todas las configuraciones.
5. Pulse el botón **Exit** para salir.

A continuación se definen las configuraciones de pesaje (en negrita las predeterminadas).

| Elemento | Configuraciones disponibles | Comentarios |
|---------------------------|-----------------------------|-------------------------|
| Pesaje (LWE IGH) | Encendido , apagado | Para permitir el pesaje |

Nota: no puede desactivar el pesaje si está en el modo actual.

3.3 Modo de conteo

Utilice esta aplicación para contar muestras de peso uniforme.

3.3.1 Introducción del modo

Para introducir el modo:


- Mantenga pulsado el botón **Mode** hasta que aparezca **COUNT**.
- Cuando se suelta el botón **Mode** en la pantalla aparece **CLR.PWJ**.
- Si necesita borrar el APW almacenado de la última ocasión, pulse el botón **Yes**. A continuación vaya a la sección **Establecer un APW**.
Nota: si el peso sobre la bandeja es superior a 1d, aparecerá **CLR.PAN** en la pantalla hasta que el peso se retire de la bandeja.
- Si necesita recuperar el APW almacenado de la última ocasión y seguir usándolo, pulse el botón **No** para empezar el conteo.
Nota: si no se ha configurado un APW anteriormente, se omitirán los pasos 3 y 4.

3.3.2 Establecer un APW

Para establecer un APW:

- Siga el paso 4 anteriormente indicado:
 - i-DT61PW:**
En la pantalla aparece el tamaño de la muestra **PUE. 10**. Para cambiarlo, pulse el botón **No** varias veces para navegar hasta que vea el valor que desea.
Nota: las selecciones de tamaño de muestra disponibles son 5, 10, 20, 50 y 100 (la predefinida es 10).
 - i-DT61XWE**
La pantalla parpadea con el tamaño de la muestra actual, por ejemplo 10 uds. Para cambiarlo, introduzca el nuevo tamaño de la muestra con el teclado numérico. No pulse el botón **Yes** hasta que no termine con el siguiente paso.
- Coloque la cantidad de muestras especificada sobre la bandeja y pulse el botón **Yes** para capturar el peso estable actual.

Nota:

- Durante el proceso de captura, aparece en la pantalla - - - - . (i-DT61PW)
- Puede pulsar el botón  para realizar la tara. Los iconos de centro ce cero, PT o NETO se iluminarán según corresponda.
- Si el APW está entre 0,1 y 1d, aparecerá en la pantalla **LD.rEF** durante 1,5 segundos. A continuación comenzará el conteo.
- Si el APW es inferior a 0,1d, aparecerá en la pantalla **rEF.Err** durante 1,5 segundos y a continuación volverá a mostrar lo que aparece en el paso 1. Sustituya las muestras sobre la bandeja y pulse el botón **Yes** para reestablecer el valor APW.

3.3.3 Iniciar el conteo

- Coloque piezas sobre la bandeja y lea el número. Aparecen el número de piezas y el icono Uds.
- Pulse el botón **Function** para mostrar de forma temporal el APW. **APWJ** aparece durante 0,5 segundos. A continuación, se muestra el valor APW durante 1,5 segundos usando la unidad de medida actual.

Nota: Consulte la sección **Verificaciones** en la sección **Modo de pesaje** para saber cómo usar las Verificaciones en el Modo de conteo.

3.3.4 Configuraciones de la aplicación

La aplicación se puede personalizar según las preferencias del usuario. Consulte la sección **Configuraciones de la aplicación** en el **Modo de pesaje** para conocer más detalles acerca de cómo introducir las configuraciones de la aplicación.

A continuación se definen las Configuraciones de conteo (en negrita las predeterminadas).

| Elemento | Configuraciones disponibles | Comentarios |
|-----------------------------|-----------------------------|--|
| Conteo (COUNT) | Encendido , apagado | Para activar el conteo |
| Auto Opt. (AUTOPT) | Encendido , apagado | Apagado: La función Auto Opt. está apagada. Encendido: El APW se optimizará automáticamente durante el pesaje de conteo. |

Nota: no puede desactivar el Conteo si está en el modo actual.

3.4 Modo porcentaje

Utilice esta aplicación para medir el peso de una muestra indicado como un porcentaje de un peso de referencia preestablecido.

3.4.1 Introducción del modo

Para introducir el modo de porcentaje desde cualquier modo de la aplicación:


1. Mantenga pulsado el botón **Mode** hasta que aparezca **PERCENT**.
2. Cuando se suelta el botón **Mode**, en la pantalla aparece **CLR.rEF** y el icono del %.
3. Si necesita borrar el peso de referencia almacenado de la última ocasión, pulse el botón **Yes**. A continuación vaya al paso 5.
Nota: Si el peso capturado es superior o igual a 1d o es inferior o igual a -1d, aparecerá en la pantalla **CLR.PAN** hasta que se retire la muestra de la bandeja.
4. Si necesita recuperar el peso de referencia almacenado de la última ocasión y seguir usándolo, pulse el botón **No** para empezar el pesaje de porcentaje.
Nota: Si no se ha configurado un peso de referencia anteriormente, se omitirán los pasos 3 y 4.
5. La pantalla muestra **PUL.rEF** y el icono del %.

3.4.2 Establecer un peso de referencia

Para establecer un peso de referencia

Siga el paso 5 anteriormente indicado: Cuando vea **PUL.rEF** en la pantalla, coloque la cantidad de muestras especificada sobre la bandeja y pulse el botón **Yes** para capturar el peso estable actual.

Nota:

- Puede pulsar el botón  para realizar la tara. Los iconos de centro ce cero, PT o NETO se iluminarán según corresponda.
- Para el modelo i-DT61PW, durante el proceso de captura, aparece - - - - - en la pantalla.
- Si el peso de referencia es inferior a 100d durante el proceso de captura, la pantalla mostrará **rEF.Err** durante 1,5 segundos, y a continuación volverá a mostrar **PUL.rEF**. Sustituya las muestras sobre la bandeja y pulse el botón **Yes** para reestablecer un peso de referencia.

3.4.3 Iniciar el pesaje por porcentaje

1. Coloque una muestra sobre la bandeja y lea el porcentaje. Aparecen el valor del porcentaje actual y el icono del %.
2. Pulse el botón **Function** para mostrar de forma temporal el peso de referencia. Aparece **rEF.Wgt** durante 0,5 segundos. A continuación, se muestra el peso de referencia durante 1,5 segundos usando la unidad de medida actual.

Nota: Consulte la sección **Verificaciones** en la sección **Modo de pesaje** para saber cómo usar las Verificaciones en el modo de pesaje por porcentaje.

3.4.4 Configuraciones de la aplicación

La aplicación se puede personalizar según las preferencias del usuario. Consulte la sección **Configuraciones de la aplicación** en el **Modo de pesaje** para conocer más detalles acerca de cómo introducir las configuraciones de la aplicación.

A continuación se definen las configuraciones del pesaje por porcentaje (en negrita las predeterminadas).

| Elemento | Configuraciones disponibles | Comentarios |
|-------------------------------|-----------------------------|---------------------------------------|
| Porcentaje (PERCENT) | Encendido , apagado | Para activar el pesaje por porcentaje |

Nota: no puede desactivar el Porcentaje si está en el modo actual.

3.5 Modo Dinámico

Utilice esta aplicación para pesar una carga inestable, como un animal en movimiento.

3.5.1 Introducción del modo

Para introducir el modo de pesaje dinámico desde cualquier modo de la aplicación:

1. Mantenga pulsado el botón **Mode** hasta que aparezca **ΔΥΝΑΜΙΚ**.
2. En la pantalla aparecerá **READY**.

3.5.2 Iniciar el pesaje dinámico

1. Para empezar:
 - Si el tipo de operación es manual. Coloque la carga (superior o igual a 5d) sobre la bandeja y pulse el botón **Function** para iniciar el proceso de promediación.
 - Si el tipo de operación es semiautomático/automático. Coloque la carga (superior o igual al peso inicial) sobre la bandeja, y el terminal comenzará de forma automática el proceso de promediación.
Nota: La pantalla debe estar a cero valor bruto o neto antes de colocar la carga en la bandeja.
2. Durante el período de promediación, el temporizador de cuenta atrás disminuye en intervalos de un segundo (por ejemplo, el tiempo promedio establecido es de 5 seg.).
Nota: Si el tiempo promedio establecido es de 0 seg, no aparece el temporizador de cuenta atrás.
3. Las lecturas se promedian y permanecen en la pantalla cuando la cuenta atrás ha terminado tanto en el modo de cuenta atrás como en el modo continuo.
Además, para el modelo DT61XWE
 - El símbolo de la tilde parpadeará indicando que el peso actual se mantiene en el modo cuenta atrás.
 - El símbolo de la tilde parpadeará indicando que el peso actual se está promediando en tiempo real en el modo continuo.
Nota: Si el tiempo medio establecido es 0 seg, el primer peso superior a 5 de se mostrará y se mantendrá.
4. Para restablecer el temporizador de la cuenta atrás:
 - Cuando el tipo de operación es manual/semiautomático, pulse el botón **Function** para resetear el temporizador de cuenta atrás si la cuenta atrás está en marcha. En la pantalla aparecerá **READY**, y comenzará a contar de nuevo.
 - Cuando el tipo de operación es automático, retire la carga de la bandeja, y el peso medio se seguirá mostrando hasta que termine el tiempo de duración. A continuación, en la pantalla aparecerá **READY**, y comenzará a contar de nuevo.
Nota:
 - La pantalla **READY** debe estar a valor bruto o neto cero para resetear el temporizador de la cuenta atrás.
 - Consulte la sección **Verificaciones** en la sección **Modo de pesaje** para saber cómo usar las Verificaciones en el modo de pesaje dinámico.

3.5.3 Configuraciones de la aplicación

La aplicación se puede personalizar según las preferencias del usuario. Consulte la sección **Configuraciones de la aplicación** en el **Modo de pesaje** para conocer más detalles acerca de cómo introducir las configuraciones de la aplicación.

A continuación se definen las configuraciones del pesaje dinámico (en negrita las predeterminadas).

| Elemento | Configuraciones disponibles | Comentarios |
|--|--|---|
| Modo dinámico(ΔΥΝΑΜΙΚ) | Cuenta atrás (Σ.ΔΟΛΩΝ) / Continuo (CONT)/ Apagado (OFF) | Cuenta atrás: Hay un tiempo de cuenta atrás. Continuo: La promediación continuará después del tiempo de cuenta atrás. |
| Tipo de operación dinámica (Δ.ΕΥΡΕ) | Manual (ΓΡΑΝ) / Semiautomático (ΣΕΡΓ)/ Auto (ΑΥΤΟ) | Manual: El proceso de promediación se inicia y se restablece de forma manual Semiautomático: El proceso de promediación se inicia automáticamente y se restablece de forma manual Auto: El proceso de promediación se inicia y se restablece de |

| | | |
|---|-----------------------|---|
| | | forma automática. |
| Peso de inicio (Տ.ԼՄԾԷ) | 0 ~ Peso de capacidad | El pesaje dinámico comenzará cuando la carga sea superior al peso de inicio (para los modos semiautomático y automático). |
| Tiempo de duración (ժ.Է ԻՐՊԷ) | 1 ~ 10 seg. | Es el tiempo que debe permanecer en la pantalla el resultado del pesaje dinámico después de retirar la carga. |
| Tiempo promedio (Ք.Է ԻՐՊԷ) | 0 ~ 30 seg. | Tiempo en segundos. Si el tiempo promedio es 0, el primer peso estable (superior o igual a 5 d) será el resultado. |

Nota: no puede desactivar dinámico si está en el modo actual.

3.6 Modo de llenado

Utilice esta aplicación para llenar un contenedor hasta un peso objetivo predeterminado.

Nota: el modo llenado solo está disponible para el modelo i-DT61XWE.

3.6.1 Introducción del modo

Para introducir el modo de llenado desde cualquier modo de la aplicación:

1. Mantenga pulsado el botón **Mode** hasta que aparezca **F ILL**.
2. El peso actual aparece en la pantalla.

3.6.2 Iniciar el llenado

1. Cuando la báscula esté en el estado de parada o pausa, pulse el botón **Function** para iniciar el proceso de llenado. Se activará el puerto de salida.
2. Añada peso sobre la bandeja. Cuando se alcance un punto de referencia (SP1/SP2/SP3/SP4), se desactivará el puerto de salida relacionado.
3. Cuando la báscula esté en el estado de inicio o pausa, pulse el botón **Function** para detener el proceso de llenado. Se desactivará el puerto de salida.

3.6.3 Reinicio y pausa del llenado

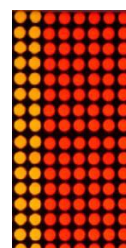
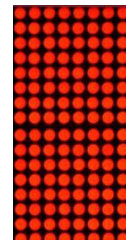
1. Cuando la báscula esté en el estado pausa, pulse el botón **Target** para reiniciar el proceso de llenado. El puerto de salida se activará o se desactivará de acuerdo con el valor de la carga actual.
2. Cuando la báscula esté en el estado de inicio, pulse el botón **Target** para pausar el proceso de llenado. El puerto de salida se desactivará completamente, y se congelará la pantalla.

3.6.4 Visualización de la Pantalla de la Matriz de Puntos

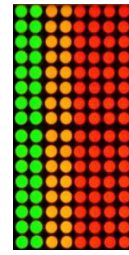
La Pantalla de la Matriz de Puntos se dividirá en una o cuatro columnas en función de cuántos puntos de referencia (SP) sean válidos. El máximo son cuatro columnas. Por ejemplo, si establece cuatro SP, la pantalla se dividirá en cuatro columnas. Además, en la pantalla aparecerán diferentes colores en función del volumen de carga.

Por ejemplo:

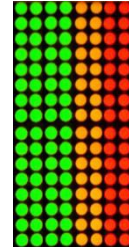
1. Ha establecido cuatro valores válidos SP y SP1 es inferior a SP2, SP2 es inferior a SP3, SP3 es inferior a SP4. A continuación, la pantalla de cuadrícula se dividirá en cuatro columnas.
2. Para comenzar el llenado, si la primera carga es inferior a SP1, la primera columna aparece en naranja, y el resto en rojo.



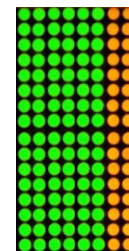
3. Si continúa llenando la segunda vez, y la carga total es ahora superior o igual a SP1 aunque inferior a SP2, la primera columna aparece en verde, la segunda en naranja, y el resto en rojo.



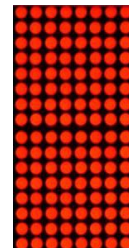
4. Después, para llenar por tercera vez, si la carga total es ahora superior o igual a SP2 aunque inferior a SP3, las primeras dos columnas aparecen en verde, la tercera en naranja, y el resto en rojo.



5. Para cargar por cuarta vez, si la carga total es ahora superior o igual a SP3 aunque inferior a SP4, las primeras tres columnas aparecen en verde, y la cuarta en naranja.



6. Sin embargo, si la carga total es superior a SP4, las cuatro columnas aparecen en rojo y el instrumento entrará en estado de parada.



3.6.5 Configuraciones de la aplicación

La aplicación se puede personalizar según las preferencias del usuario. Consulte la sección **Configuraciones de la aplicación** en el **Modo de pesaje** para conocer más detalles acerca de cómo introducir las configuraciones de la aplicación.

A continuación se definen las configuraciones de llenado (en negrita las predeterminadas)

| Elemento | Configuraciones disponibles | Comentarios |
|--------------------------------|-----------------------------|------------------------------------|
| Llenado (F LL) | Encendido , apagado | Para activar el pesaje por llenado |

Nota: no puede desactivar el llenado si está en el modo actual.

4. CONFIGURACIONES DEL MENÚ

El menú de usuario permite personalizar las configuraciones de la balanza.

Nota: Puede haber submenús adicionales si están instaladas las Opciones de Interfaz. Consulte el manual de usuario de la interfaz para información adicional acerca de la configuración.

4.1 Navegación por el menú

4.1.1 Menú de usuario

Para el modelo i-DT61PW

| C.A.L | S.E.t.U.P | r.E.A.d | MO.d.E | U.n. t | G.M.P | A.S.2.3.2 | P.r. I.N.t | L.o.c.t | E.n.d |
|---------|-----------|----------|----------|--------|--------|-----------|------------|----------|-------|
| ZE-rD | rESEt | rESEt | rESEt | rESEt | rESEt | rESEt | rESEt | rESEt | |
| SPAN | C.UN t | StAbLE | WJE IGH | kg | d.FMTE | bAUD | ASS IGH | L.ALL | |
| L INE | CAP | ZE-rD | COUNt | g | dAtE | PAR tEY | StAbLE | L.OFF | |
| GEO | GrAd | F ILtEr | A.OPt | lb | t.FMTE | StOP | MOdE | L.ZE-rD | |
| C.t.ESt | P.ZE-rD | A2t | PE-rCt | oz | t IMTE | H.SHAtE | t IMTE | L.Pr tnt | |
| End | P.UN t | b.L IGHt | dYNAM | lb;oz | P. Id | ALt.P | C.SUM | L.UN t | |
| | A.tArE | S.SAUEr | d.tYPE | End | S. Id | ALt.t | tEMTP | L.MOdE | |
| | ACCUM | A.OFF | d.t IMTE | | End | ALt.2 | End | L.MENU | |
| | t.Ct | P.SAUEr | A.t IMTE | | | End | | L.tArE | |
| | t.NEMt | End | End | | | | | L.tArGE | |
| | End | | | | | | | End | |

Para el modelo i-DT61XWE

| C.A.L | S.E.t.U.P | r.E.A.d | MO.d.E | U.n. t | G.M.P | A.S.2.3.2 | P.r. I.N.t | I.O. | L.o.c.t | L. Ib | U.S.E.r | U.S.b | E.n.d |
|---------|-----------|---------|----------|--------|--------|-----------|------------|---------|----------|-------|---------|-----------|-------|
| ZE-rD | rESEt | rESEt | rESEt | rESEt | rESEt | rESEt | rESEt | rESEt | rESEt | NEW | NEW | rESEt | |
| SPAN | C.UN t | StAbLE | WJE IGH | kg | d.FMTE | bAUD | ASS IGH | tYPE | L.ALL | Ed t | Ed t | tYPE | |
| L INE | rANGE | ZE-rD | PE-rCt | g | dAtE | PAR tEY | StAbLE | INPUT 1 | L.OFF | End | End | E.MENU | |
| GEO | CAP 1 | F ILtEr | dYNAM | lb | t.FMTE | StOP | MOdE | INPUT2 | L.ZE-rD | | | I.MENU | |
| C.t.ESt | GrAd 1 | A2t | d.tYPE | oz | t IMTE | H.SHAtE | t IMTE | OUT 1 | L.Pr tnt | | | E.L Ib | |
| End | CAP2 | L IGHt | S.tUt | lb;oz | P. Id | ALt.P | C.SUM | OUT2 | L.UN t | | | L.L Ib | |
| | GrAd2 | S.SAUEr | d.t IMTE | End | S. Id | ALt.t | tEMTP | OUT3 | L.FUNC | | | E.USER | |
| | P.ZE-rD | A.OFF | A.t IMTE | | End | ALt.2 | End | OUT4 | L.MOdE | | | I.USER | |
| | P.UN t | L.tEY | F ILL | | | End | | End | L.MENU | | | LENGtH | |
| | A.tArE | End | End | | | | | | L.tArE | | | S.d IGH t | |
| | ACCUM | | | | | | | | L.tArGE | | | | |
| | t.bEEP | | | | | | | | End | | | | |
| | t.CL IGHt | | | | | | | | | | | | |
| | bP.S IGH | | | | | | | | | | | | |
| | L.S IGH | | | | | | | | | | | | |
| | t.r.FUNC | | | | | | | | | | | | |
| | t.r.Add | | | | | | | | | | | | |
| | t.Ct | | | | | | | | | | | | |
| | t.NEMt | | | | | | | | | | | | |
| | P.tJd.EN | | | | | | | | | | | | |
| | P.tJd | | | | | | | | | | | | |
| | End | | | | | | | | | | | | |

Notas:

Algunos modos/unidades podrían no estar disponibles en todos los modelos.

Cuando está **ENCENDIDA** la opción **LEGAL FOR TRADE** (el interruptor de bloqueo está posición), los ajustes del menú se verán afectados de la siguiente manera:

- El menú calibración (**C.A.L**) no está disponible,

- El ajuste de rango cero está bloqueado al 2 %.
- El ajuste de rango estable está bloqueado a 1d.
- La configuración del rastreo de auto-cero está bloqueada en 0.5d.
- El filtro y las unidades están bloqueados en su configuración actual.
- Solo Estable está bloqueado para estar **Encendido**.
- La opción Impresión automática/Continua está deshabilitada.
- La opción Lb;oz está bloqueada.

4.1.2 Botones de navegación

El botón **Yes**: permite acceder al menú que aparece en pantalla..

Acepta la configuración que aparece y avanza al siguiente elemento.

El botón **No**: rechaza el acceso al menú que aparece en pantalla..

Rechaza el menú que se muestra avanza a la siguiente sección.

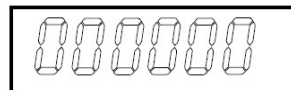
El botón **Back**: mueve hacia atrás a través de los menús de nivel superior y medio.

Retrocede de una lista de elementos seleccionables al anterior menú de nivel medio.

El botón **Exit**: sale del menú directamente al modo de pesaje activo.

Para elementos del menú con configuraciones numéricas como la Capacidad, la configuración actual se muestra con todos los dígitos parpadeando. Para revisar:

1. Pulse el botón **No** para comenzar a editar.



2. El primer dígito aparece parpadeando.



3. Pulse el botón **No** para incrementar el dígito, o pulse el botón **Yes** para aceptar el dígito y avanzar al siguiente.



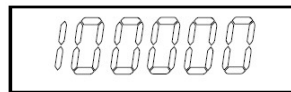
4. Repita este proceso para todos los dígitos.



5. Pulse el botón **Yes** cuando se haya configurado el último dígito.



6. La nueva configuración se muestra con todos los dígitos parpadeando. Pulse el botón **Yes** para aceptar la configuración, o pulse el botón **No** para seguir editando.



7. Para finalizar con la selección de menú actual, pulse el botón **Yes** para avanzar al siguiente menú, o pulse el botón **No** para volver a la parte superior del menú actual.

Nota: Para el modelo i-DT61XWE, se puede introducir el valor numérico directamente mediante el teclado numérico.

4.2 Menú de calibración

Acceda a este menú para llevar a cabo calibraciones.

4.2.1 Calibración inicial

Cuando se utiliza la báscula por primera vez, se recomienda realizar una calibración de cero y de rango para garantizar unos resultados de pesaje precisos.

Antes de llevar a cabo la calibración, asegúrese de que dispone de los pesos de calibración adecuados, tal y como se indica en la tabla 4-1. Asegúrese de que el bloqueo de calibración/interruptor LFT esté en la posición de desbloqueo.

O ajuste la configuración GEO según su ubicación.

TABLA 4-1

| Masa de calibración de rango requerida (se vende por separado) | | | |
|--|---------------|---------|----------------|
| Máx. | Masa* | Máx, | Masa* |
| 3000 g | 3 kg / 5 lb | 30000 g | 30 kg / 50 lb |
| 6000 g | 6 kg / 10 lb | 60000 g | 60 kg / 100 lb |
| 15000g | 15 kg / 25 lb | 150000g | 150kg / 250lb |

Nota:

- Si la unidad activa es g o kg, la unidad de calibración será el kg.
- Si la unidad activa es lb, oz o lb:oz, la unidad de calibración será la lb
- Para la calibración de linealidad, la masa de calibración es fija. El pinto medio es siempre la mitad de la capacidad completa.

4.2.2 Calibración cero [ZEr0]

La calibración cero utiliza un punto de calibración. El punto de calibración cero se establece sin peso sobre la báscula. Utilice este método de calibración para ajustar una carga estática diferente sin afectar al rango o a la calibración de linealidad.

Procedimientos de calibración:

1. Mantenga presionado el botón **Menu** hasta que vea **C.R.L.** Pulse el botón **Yes**.
2. En la pantalla aparecerá **ZEr0**. Pulse el botón **Yes**.
3. En la pantalla aparecerán parpadeando **0** kg y la unidad de calibración. Sin peso sobre la bandeja, pulse el botón **Yes** para establecer el punto cero.
4. Aparecerá **--C--** en la pantalla, y después **-DONE-** cuando haya finalizado la calibración cero.

Nota:

Si pasados 40 seg. la calibración cero no ha tenido éxito, aparecerá **CAL E** durante 3 segundos y se restauran los datos de calibración anteriores. La báscula sale al modo de pesaje activo y muestra el valor del peso actual en la unidad de pesaje en curso.

5. Después, en la pantalla aparecerá **SPAN**. Pulse el botón **Exit** para salir.

4.2.3 Calibración de rango [SPAN]

La calibración de rango utiliza un punto de calibración. El punto de calibración se establece con una masa de calibración colocada sobre la báscula.

Nota: La calibración de rango debe realizarse después de la calibración cero.

Procedimientos de calibración

1. Mantenga presionado el botón **Menu** hasta que vea **C.R.L.** Pulse el botón **Yes**.
2. Pulse el botón **No** para navegar hasta que vea **SPAN**. Pulse el botón **Yes**.
3. La pantalla parpadea con el punto de calibración y la unidad de calibración en base a la capacidad y a la unidad establecida en el menú de capacidades. (p.ej. **030.000** kg). Si no necesita cambiar el punto de calibración, salte al paso 5.
4. Para cambiar el punto de calibración:
 - i-DT61PW: pulse el botón **No** varias veces hasta que aparezca el dígito de la unidad que desee. Pulse el botón **Yes** para aceptar el dígito y pasar al siguiente. Repita el proceso hasta que todas las unidades sean correctas. Pulse el botón **Yes** para aceptar el punto de calibración. La pantalla parpadea con el punto de calibración que haya establecido.

- i-DT61XWE: introduzca el punto de calibración usando el teclado numérico. (No pulse el botón **Yes** hasta que no termine con el paso 5.)
5. Coloque una masa de calibración del peso específico sobre la bandeja y pulse el botón **Yes**.
 6. Aparecerá **--[]--** en la pantalla, y después **-DONE-** cuando haya finalizado la calibración.
 7. Después, en la pantalla aparecerá **L #**. Pulse el botón **Exit** para salir.

Nota:

- Si la calibración no es correcta, aparece **CAL E** durante 3 segundos y se restauran los datos de calibración anteriores. La báscula sale al modo de pesaje activo y muestra el valor del peso actual en la unidad de pesaje en curso.
- Si pasados 40 seg. la calibración no ha tenido éxito, aparecerá **CAL E** durante 3 segundos y se restauran los datos de calibración anteriores. La báscula sale al modo de pesaje activo y muestra el valor del peso actual en la unidad de pesaje en curso.

4.2.4 Calibración de la linealidad [L #]

La calibración de la linealidad utiliza 3 puntos de calibración. El punto de calibración completo se establece con un peso sobre la báscula. El punto de calibración medio se establece con un peso igual a la mitad del peso de calibración completo sobre la báscula. El punto de calibración cero se establece sin peso sobre la báscula. El usuario puede alterar los puntos de calibración medio y completo durante el procedimiento de calibración.

Procedimientos de calibración

1. Mantenga presionado el botón **Menu** hasta que vea **C.A.L.** Pulse el botón **Yes**.
2. Pulse el botón **No** varias veces para navegar hasta que vea **L #**. Pulse el botón **Yes**.
3. En la pantalla aparecerán parpadeando **0** kg y la unidad de calibración. Sin peso sobre la bandeja, pulse el botón **Yes** para establecer el punto cero.
4. La pantalla muestra **--[]--**, y a continuación pasa a parpadear con el primer punto de calibración y la unidad de calibración en base a la capacidad y a la unidad establecida en el menú de capacidades. (Por ejemplo, **0 15.000** kg). Si no necesita cambiar el punto de calibración, salte al paso 6.
5. Para cambiar el punto de calibración:
 - i-DT61PW: pulse el botón **No** varias veces hasta que aparezca el dígito de la unidad que desee. Pulse el botón **Yes** para aceptar el dígito y pasar al siguiente. Repita el proceso hasta que todas las unidades sean correctas. Pulse el botón **Yes** para aceptar el punto de calibración. La pantalla parpadea con el punto de calibración que haya establecido.
 - i-DT61XWE: introduzca el punto de calibración usando el teclado numérico. (No pulse el botón **Yes** hasta que no termine con el paso 6).
6. Coloque una masa de calibración del peso específico sobre la bandeja y pulse el botón **Yes**.
7. La pantalla muestra **--[]--**, y a continuación pasa a parpadear con el segundo punto de calibración y la unidad de calibración en base a la capacidad y a la unidad establecida en el menú de capacidades. (Por ejemplo, **030,000** kg).

Nota:

Si pasados 40 seg. la calibración no ha tenido éxito, aparecerá **CAL E** durante 3 segundos y se restauran los datos de calibración anteriores. La báscula sale al modo de pesaje activo y muestra el valor del peso actual en la unidad de pesaje seleccionada.

8. Repita los pasos 5 y 6.
9. Aparecerá **--[]--** en la pantalla, y después **-DONE-** cuando haya finalizado la calibración de linealidad.
10. Después, en la pantalla aparecerá **GEO**. Pulse el botón **Exit** para salir.

4.2.5 Ajuste GEO [GEO]

El Factor de Ajuste Geográfico (GEO) se usa para ajustar la calibración en base a la ubicación actual. Hay disponibles configuraciones de 0 a 31, siendo 12 la predeterminada.

Consulte la sección **Tabla de Geovalores** en el capítulo **Datos Técnicos** para determinar el factor GEO que corresponde con su ubicación.

Para establecer el factor GEO:

1. Mantenga presionado el botón **Menu** hasta que vea **C.A.L.** Pulse el botón **Yes**.
2. Pulse el botón **No** varias veces para navegar hasta que vea **GEO**. Pulse el botón **Yes**.
3. La pantalla parpadea con el punto GEO (Por ejemplo, **12**).

4. Pulse el botón **No** varias veces hasta que aparezca el número GEO que desee. Pulse el botón **Yes** para terminar las configuraciones.
5. Después, en la pantalla aparecerá **┌.└E5└**. Pulse el botón **Exit** para salir.

4.2.6 Prueba de calibración [┌.└E5└]

Procedimientos de la prueba de calibración:

1. Mantenga presionado el botón **Menu** hasta que vea **┌.A.L.**. Pulse el botón **Yes**.
2. Pulse el botón **No** varias veces para navegar hasta que vea **┌.└E5└**. Pulse el botón **Yes**.
3. La pantalla parpadea con **0** y la unidad de calibración en base a la capacidad y a la unidad establecida en el menú de capacidades. Sin peso sobre la bandeja, pulse el botón **Yes** para establecer el punto cero.
4. La pantalla muestra **--└--** mientras se graba el punto cero.
5. La pantalla parpadea con el peso de calibración y la unidad de la última ocasión. (Por ejemplo, **0 15.000** kg).
6. Para cambiar el peso de calibración de la prueba:
 - i-DT61PW: pulse el botón **No** varias veces hasta que aparezca el dígito de la unidad que desee. Pulse el botón **Yes** para aceptar el dígito y pasar al siguiente. Repita el proceso hasta que todas las unidades sean correctas. Pulse el botón **Yes** para aceptar el punto de calibración.
 - i-DT61XWE: pulse las teclas numéricas para editar el peso. (No pulse el botón **Yes** hasta que no termine con el paso 7).
7. Coloque el peso específico de la prueba sobre la bandeja y pulse el botón **Yes**.
8. La pantalla parpadea con la diferencia entre los datos de calibración y el peso de la prueba. (Por ejemplo, **0.0 10** kg). Si el terminal está conectado a una impresora o a otros dispositivos, se imprimirá el resultado de la prueba de calibración.
9. Después de 5 segundos, la prueba finaliza y la báscula vuelve al modo de pesaje activo con la pantalla para el peso actual.

4.2.7 Fin de Cal. [End]

Cuando aparezca **End**, pulse el botón **Yes** para salir de este menú y avance al siguiente submenú o pulse el botón **No** para avanzar al primer elemento del menú en el submenú.

4.3 Menú de configuración

Acceda a este menú **S.E.E.U.P** para establecer los parámetros de la balanza. En **negrita** aparecen las configuraciones predeterminadas.

Para el modelo i-DT61PW

| Menu | Submenú | Submenú(en segmento) | Opciones: | Opciones (en segmento) |
|--------------------------------|-------------------------|----------------------|--|----------------------------------|
| Configuración S.E.E.U.P | Reiniciar | rESEt | no, sí | NO, YES |
| | Unidad de capacidad | C.UNIt | kg, lb, t, g | / |
| | Capacidad | CRP | 1-999999 | / |
| | Graduación | GrAd | 0,0001~100 | / |
| | Encender cero | P.ZEr0 | Apagado, encendido | OFF, ON |
| | Encender unidad | P.UNIt | Auto , g, kg, lb, oz, lb:oz, t | AUTO |
| | Autotara | A.tArE | Apagado , encendido, aceptar | OFF, ON, ACCEPT |
| | Acumulación | ACCUM | Apagado , auto, manual, aceptar | OFF, MANUAL, AUTO, ACCEPT |
| | Contador de transacción | t.Cnt | Apagado, encendido | OFF, ON |
| | Siguiente transacción | t.NEXT | 1-999999 | / |
| | End | End | \ | / |

Para el modelo i-DT61XWE

| Menu | Submenú | Submenú(en segmento) | Opciones | Opciones (en segmento) |
|--------------------------------|---------------------------------------|----------------------|---|--|
| Configuración S.E.E.U.P | Reiniciar | rESEt | no, sí | NO, YES |
| | Unidad de capacidad | C.UNIt | kg, lb | / |
| | Rango | r.RANGe | Único , doble | SINGLE, DOUBLE |
| | > 1 < Capacidad | CRP1 | 1-999999 | / |
| | > 1 < Graduación | GrAd1 | 0,0001~100 | / |
| | > 2 < Capacidad [Rango=Doble] | CRP2 | 1-999999 | / |
| | > 2 < Graduación [Rango=Doble] | GrAd2 | 0,0001~100 | / |
| | Encender cero | P.ZEr0 | Apagado, encendido | OFF, ON |
| | Encender unidad | P.UNIt | Auto , g, kg, lb, oz, lb:oz | AUTO |
| | Autotara | A.tArE | Apagado , encendido, aceptar | OFF, ON, ACCEPT |
| | Acumulación | ACCUM | Apagado , auto, manual, aceptar | OFF, MANUAL, AUTO, ACCEPT |
| | Aviso sonoro de tecla | t.bEEP | Apagado, encendido | OFF, ON |
| | Tipo de clic de tecla | t.CLICt | único, doble | SINGLE, DOUBLE |
| | Señal de aviso sonoro de verificación | bP.SIG | apagado, inferior, superior, aceptar, inferior-superior | OFF, UNDER, OVER, ACCEPT, UN-OV |
| | Señal luminosa de verificación | L.SIGN | bloqueo , barra, segmento | BLOCK, BAR, SEGMENT |
| | Func. IR | Ir.FUNC | Disp , cero, tara, imprimir | DISP, ZEr0, tArE, PrINt |
| | Ajustar IR | Ir.AdJ | APAGADO, BAJO, ALTO | OFF, LOW, HI |
| | Contador de transacción | t.Cnt | Apagado, encendido | OFF, ON |
| | Siguiente transacción | t.NEXT | 1-999999 | / |
| | ActivarContraseña | P.Wd.EN | Apagado , encendido | OFF, ON |
| Fin | End | \ | / | |

Reiniciar [rESEt]

Reinicia el menú de configuración a los valores predeterminados de fábrica

no = no resetear

Yt5 = resetear

Unidad de capacidad [C.UN t]

Seleccione la unidad usada para la calibración.

t (Tonelada métrica)

g

kg

lb

Nota: t y g no están disponibles para el modelo i-DT61XWE

Rango [rRNGE]

Nota: Esta configuración solo está disponible para el modelo i-DT61XWE.

Establezca el número de los intervalos de pesaje.

Estos terminales se pueden configurar para usar intervalos simples o dobles. Se puede asignar a cada intervalo su propia graduación. Si se selecciona el intervalo doble, la graduación cambiará cuando el peso alcance el segundo intervalo.

Si se selecciona el intervalo **simple**, los parámetros adicionales son:

>|1|< Capacidad

>|1|< Graduación

Si se selecciona el intervalo **doble**, el terminal funciona con dos intervalos, cada uno con su propia capacidad y graduación. Además de los parámetros de capacidad y graduación del Intervalo 1, están disponibles los siguientes dos parámetros:

>|2|< Capacidad

>|2|< Graduación

Capacidad [CAP] / Capacidad1 [CAP 1]

Establezca la capacidad de la balanza o la capacidad de la primera balanza (para el modelo i-DT61XWE)
1... 999999

Grad [GrAd] / Grad1 [GrAd 1]

Establezca la legibilidad de la balanza o la legibilidad de la primera balanza para el modelo i-DT61XWE de 0,0001 a 100.

0,0001~100

Capacidad2 [CAP2]

Establezca la capacidad de la segunda báscula para el modelo i-DT61XWE.

Grad2 [GrAd2]

Establezca la legibilidad de la segunda báscula para el modelo i-DT61XWE.

Cero de encendido [P.ZEr0]

Establece la balanza a cero con el encendido.

0FF = desactivado

0n = activado

Unidad de encendido [P.UN t]

Establece la unidad que se mostrará con el encendido-

RUt0 = última unidad en uso al encender

kg = kilogramos

g = gramos

lb = libras

oz = onzas

lb:oz = onzas libras

t = tonelada métrica (solo disponible para el modelo i-DT61PW)

Autotara [A.tArE]

Establece la funcionalidad de la tara automática.

OFF = la tara automática está desactivada.

ON = se tara el primer peso bruto estable.

ACCEPT = se taran los pesos brutos estables dentro de los límites aceptable (en el modo verificación)

Acumulación [ACCUM]

Establece la funcionalidad de acumulación.

OFF = la acumulación está desactivada.

AUTO = se realiza la acumulación automáticamente.

MAN = se realiza la acumulación manualmente.

ACCEPT = se realiza la acumulación cuando los pesos están dentro de los límites aceptables (en el modo verificación).

Nota: Para más detalles acerca de la acumulación, consulte **Acumulación y estadísticas** en la sección **Modo de pesaje**.

Contador de transacciones [t.cnt]

El contador de transacciones es un contador de siete dígitos que realiza un seguimiento de las transacciones totales. Cuando el valor alcanza 9 999 999, la siguiente transacción provoca un reinicio a 0000001.

OFF = el contador de transacciones no aumentará.

ON = el contador de transacciones aumentará con el elemento de menú adicional Siguiente transacción disponible.

Nota: Si el contador de transacciones está configurado para estar ENCENDIDO, el número del conteo aumentará cuando se pulse el botón **Print**.

Contador de la siguiente transacción [t.nxt]

Establezca el valor de las pantallas de la siguiente transacción en el campo Siguiente transacción. 1~999999

Aviso sonoro de tecla [t.bEEP]

Establezca si activar o no el aviso sonoro cuando se pulsa un botón.

OFF = sin sonido

ON = sonido

Nota: Esta configuración solo está disponible para el modelo i-DT61XWE.

Tipo de clic de tecla [t.CL tC]

SINGLE = un solo clic sobre el botón ejecuta la operación.

DOUBLE = doble clic sobre el botón ejecuta la operación

Nota: Esta configuración solo está disponible para el modelo i-DT61XWE.

Señal del aviso sonoro [bP.S tG]

Configura la condición para el aviso sonoro en el modo de pesaje de verificación.

OFF = el aviso sonoro está desactivado.

UNDER = el aviso sonoro está activado cuando el peso está por debajo del valor inferior que haya establecido.

OVER = el aviso sonoro está activado cuando el peso está por encima del valor superior que haya establecido.

ACCEPT = el aviso sonoro está activado cuando el peso está dentro del rango aceptable que haya establecido.

UN-OV = el aviso sonoro está activado cuando el peso está por debajo del valor inferior o por encima del valor superior que haya establecido.

Nota: Esta configuración solo está disponible para el modelo i-DT61XWE.

Señal de luz de verificación [L.S.IGN]

Configura el aspecto de la pantalla en el modo verificación para los pesos superior, inferior y aceptable.

- BLCK** = la luz se muestra como un bloque.
- BAR** = la luz se muestra como una barra.
- SEGMENT** = la luz se muestra como un segmento.

Nota: Esta configuración solo está disponible para el modelo i-DT61XWE.

Función IR [Ir.FUNC]

Defina el funcionamiento del sensor de radiación por infrarrojos.

ZERO = la balanza realiza el funcionamiento a cero, igual a presionar el botón **Zero**.

TARE = la balanza realiza la operación de tara; igual a presionar el botón .

PRINT = la balanza realiza la operación imprimir, igual a presionar el botón **Print**.

DISPLAY = enciende la luz de fondo.

Agite su mano frente al icono  en el panel de control para realizar la operación que haya configurado.

Nota: Esta configuración solo está disponible para el modelo i-DT61XWE.

Ajuste IR [Ir.Adj]

Defina la distancia de respuesta del sensor de radiación por infrarrojos.

OFF = el sensor IR está desactivado.

50J = el sensor responderá dentro de 50 mm/2 pulgadas.

100J = el sensor responderá dentro de 100 mm/4 pulgadas.

Nota: Esta configuración solo está disponible para el modelo i-DT61XWE.

Activar contraseña [Pwd.En]

Defina si necesita una contraseña para acceder al menú. Si está encendida, tendrá que introducir la contraseña cada vez que acceda al menú.

OFF = para desactivar la función de Contraseña.

ON = para activar la función de Contraseña.

Contraseña [Pwd]

Este submenú solo aparecerá cuando se haya seleccionado que esté encendida la opción Activar contraseña.

La pantalla parpadea con **—**, introduzca la nueva contraseña a través del teclado numérico. Pulse el botón **CLR** para cambiar los datos que haya introducido. Pulse el botón **Yes** cuando haya terminado.

Finalizar configuración [End]

Avance al siguiente menú o vuelva a la parte superior del menú actual.

4.4 Menú de lectura

Acceda a este menú para establecer las preferencias del usuario. En **negrita** aparecen las configuraciones predeterminadas.

| Menú | Submenú | Submenú(en segmento) | Opciones | Opciones (en segmento) |
|-----------------------------|-----------------------------|----------------------|--|--|
| Lectura (r.E.R.d) | Reiniciar | rESEt | no, sí | NO , YES |
| | Estabilidad | StAbLE | 0,5 d, 1 d , 2 d, 5 d | 0.5d , 1d, 2d, 5d |
| | Rango cero | ZErO | 2 % 100 % | 2 , 100 |
| | Nivel de filtro | F ILtEr | Bajo, medio , alto | LOW Med , HIGH |
| | Seguir auto cero | AZt | Apagado, 0,5 d , 1 d, 3 d | OFF , 0.5d, 1d, 3d |
| | Nivel de brillo (i-DT61XWE) | L IGht | Bajo, medio , alto | Med , HIGH, LOW |
| | Luz de fondo (i-DT61PW) | b.L IGht | Apagada , encendida, Auto | OFF , ON, Auto |
| | Pantalla | S.SRUEr | Apagada, 1 min, 2 min, 5 min (i-DT61PW) Apagada, 5 min, 10 min, 30 min (i-DT61XW) | OFF , 1, 2, 5 (i-DT61PW) OFF , 5, 10, 30 (i-DT61XW) |
| | Auto apagado | A.OFF | Apagado , 5 min, 10 min, 30 min | OFF , 5, 10, 30 |
| | P.GUARDAR (i-DT61PW) | P.SRUEr | ENCENDIDO , APAGADO | ON , OFF |
| | L.TECLA (i-DT61XWE) | L.tEy | Apagado , 0,5 min, 1 min, 2 min, 5 min | OFF , 0.5, 1, 2, 5 |
| | Fin | End | \ | |

Reiniciar [rESEt]

Reinicia el menú de lectura a los valores predefinidos de fábrica.

- NO** = no restear.
YES = resetear

Estabilidad [StAbLE]

Establezca la cantidad en la que puede variar la lectura antes de que se encienda el símbolo de estabilidad.

- 0.5d** = 0,5 división de la balanza
1d = 1 división de la balanza
2d = 2 divisiones de la balanza
5d = 5 divisiones de la balanza

Cero [ZErO]

Establezca el porcentaje de la capacidad de la báscula que se puede configurar a cero.

- 2 %** = el rango cero es +/-2 %
100 % = el rango cero +/-100 %

Filtro [F ILtEr]

Establezca la cantidad de filtrado de la señal.

- LOW** = tiempo de estabilización más rápida con menos estabilidad.
Med = tiempo de estabilización normal con estabilidad normal.
HIGH = tiempo de estabilización más lento con más estabilidad.

AZT [AZt]

Establezca la funcionalidad de seguimiento automático de cero (AZT).

- OFF** = desactivado

- 0.5d** = la pantalla mantendrá el cero hasta que se haya superado un cambio de 0,5 divisiones por segundo.
- 1d** = la pantalla mantendrá el cero hasta que se haya superado un cambio de 1 división por segundo.
- 3d** = la pantalla mantendrá el cero hasta que se haya superado un cambio de 3 divisiones por segundo.

Nivel de brillo [L IGHE]

Establezca el nivel de brillo de la pantalla.

- L0L0** = el nivel de brillo es bajo
- 07E0** = el nivel de brillo es medio
- H 00H** = el nivel de brillo es alto

Nota: Esta configuración solo está disponible para el modelo i-DT61XWE.

Luz de fondo [b.L IGHE]

Establezca la funcionalidad de luz de fondo de la pantalla.

- OFF** = la luz de fondo está desactivada.
- 00** = la luz de fondo está activada.
- 0000** = la luz de fondo se desactiva después de 5 segundos de inactividad.

Nota: Esta configuración solo está disponible para el modelo i-DT61PW.

Pantalla [SC-EE0]

Establece si se activa el salvapantallas después de un periodo de tiempo seleccionado.

Para el modelo i-DT61PW:

- OFF** = salvapantallas desactivado.
- 1** = el salvapantallas se activa después de 1 minuto de inactividad.
- 2** = el salvapantallas se activa después de 2 minutos de inactividad.
- 5** = el salvapantallas se activa después de 5 minutos de inactividad.

Para el modelo i-DT61XWE:

- OFF** = la luz de fondo está desactivada
- 5** = el salvapantallas se activa después de 5 minutos de inactividad.
- 10** = el salvapantallas se activa después de 10 minutos de inactividad.
- 30** = el salvapantallas se activa después de 30 minutos de inactividad.

Tecla de bloqueo [L.FEY]

Bloquea todas las teclas después del periodo de tiempo seleccionado.

- OFF** = desactivado
- 0.5** = las teclas se bloquean después de 30 segundos de inactividad.
- 1** = las teclas se bloquean después de 1 segundo de inactividad.
- 2** = las teclas se bloquean después de 2 segundos de inactividad.
- 5** = las teclas se bloquean después de 5 segundos de inactividad.

Apagado automático [A.OFF]

Configura si la pantalla entra en modo descanso después del periodo de tiempo seleccionado.

- OFF** = desactivado
- 5** = la pantalla entra en modo descanso después de 5 minutos de inactividad.
- 10** = la pantalla entra en modo descanso después de 10 minutos de inactividad.
- 30** = la pantalla entra en modo descanso después de 30 minutos de inactividad.

AHORRO DE E. [P.SAVE]

Configura si se activa el modo de ahorro de energía después de que la báscula pase a modo de espera.

- 00** = ahorro de energía activado.
- OFF** = ahorro de energía desactivado.

Nota: esta configuración solo está disponible para el modelo i-DT61PW.

Fin de lectura [End]

Avance al siguiente menú o vuelva a la parte superior del menú actual.

4.5 Menú de unidades

Acceda al menú **U.N. 1.1** para activar las unidades que desee.

Reiniciar
Gramo (g)
Kilogramo (kg)
Libra (lb)
Onza (oz)
Libra:onza (lb:oz)
Tonelada (t) (solo disponible para el modelo i-DT61PW)
Fin

Nota:

- Debido a las leyes nacionales, el indicador podría no incluir alguna de las unidades indicadas anteriormente.
- Si está encendido el interruptor de seguridad, las unidades y su configuración actual estarán bloqueadas.
- Las unidades disponibles pueden variar en función del modelo y de las regulaciones locales.

4.6 Menú GLP/GMP

Acceda a este menú para configurar los datos de las Buenas Prácticas de Laboratorio (GLP) y de las Buenas Prácticas de Fabricación (GMP).

Reiniciar [rESEÉ]

Si está seleccionada y confirmada la opción Reiniciar, todos los valores del submenú pasarán a ser los predefinidos

Formato de fecha [d.F7É]

Configurar el formato de la fecha.

MDA [7dY] = Mes.Día.Año

DMA [d7Y] = Día.Mes.Año

AMD [Y7d] = Año.Mes.Día

Fecha [dAÉÉ]

Configure la fecha de acuerdo con el formato de fecha previo que haya establecido.

Por ejemplo, si ha establecido AMD (Año, mes, día) para el formato de fecha, y los datos que va a introducir son 2020/4/17:

Establezca la fecha como: 20.04.17 (Año, mes, día)

Formato de hora [É.F7É]

Configure el formato de hora.

24 hr = formato de 24 horas.

12 hr = formato de 12 horas.

Hora [É 7É]

Configure la hora.

Formato de 24 horas

00 a 23 = posición hora

00 a 59 = posición minuto

Formato de 12 horas:

00 a 12 = posición hora
00 a 59 = posición minuto

Para saber cómo introducir la cifra de la hora, consulte la siguiente sección de ID del proyecto para más detalles.

Nota: para el modelo i-DT61XWE, no puede utilizar el teclado numérico para introducir la hora.

ID del proyecto [P. id]

Configure el número de identificación del proyecto:

Para configurar el número, pulse **No** varias veces hasta que aparezca el número que desee. Pulse el botón **Yes** para aceptar el número y pasar al siguiente dígito. Repita el proceso hasta que todas las unidades sean correctas. Pulse el botón **Yes** para aceptar el valor.

Para el modelo i-DT61XWE, puede introducir en el ID del proyecto usando el teclado numérico.

ID de la balanza [5. id]

Configure el de identificación del proyecto.

Consulte la sección **ID del proyecto** para saber más acerca de cómo configurar el número.

Para el modelo i-DT61XWE, puede introducir el ID de la báscula usando el teclado numérico.

Fin [End]

Avance al siguiente menú o vuelva a la parte superior del menú actual.

4.7 Comunicación

Acceda a este menú para definir los métodos de comunicación externa y para configurar los parámetros de impresión.

Los datos se pueden exportar a una impresora o aun PC.

Las configuración de fábrica predeterminadas aparecen en negrita.

4.7.1 Menú RS232

Acceda a este menú para definir los parámetros de comunicación.

Nota: el 2º RS232 solo está disponible para el modelo i-DT61XWE.

| Menú | Submenú | Submenú(en segmento) | Opciones | Opciones (en segmento) |
|--|---------------------------|----------------------|---|--------------------------------------|
| RS232 (r.5.2.3.2) / 2º PUERTO EN SERIE (2.5.E.r. 1.A) | Ratio de baudios | bAUD | 300, 600, 1200, 2400, 4800, 9600 , 19200, 38400, 57600 | / |
| | Paridad | PARITY | 7 par, 7 impar, 7 ninguna, 8 ninguna | 7 EVEN, 7 Odd, 7 NONE, 8 NONE |
| | Bit de parada | STOP | 1 bit , 2 bits | / |
| | Conexión tipo "handshake" | HSHAKE | Ninguna , Xon/Xoff | NONE , ONOFF |
| | Alt Imprimir CMD | ALT.P | 'A' ~ 'Z', P | / |
| | Alt Tara CMD | ALT.T | 'A' ~ 'Z', T | / |
| | Alt Cero CMD | ALT.Z | 'A' ~ 'Z', Z | / |
| | Reiniciar | rESEt | \ | / |
| | Fin | End | \ | / |

Resetear [rESEt]

Resetea el menú del RS232 a los valores de fábrica.

NO = no restear.

YES = resetear

Ratio de baudios [BAUD]

Configure el ratio de baudios (bits por segundo)

| | |
|-------------|-------------|
| 300 | = 300 bps |
| 600 | = 600 bps |
| 1200 | = 1200 bps |
| 2400 | = 2400 bps |
| 4800 | = 4800 bps |
| 9600 | = 9600 bps |
| 19200 | = 19200 bps |
| 38400 | = 38400 bps |
| 57600 | = 57600 bps |

Paridad [PARITY]

Establezca los bits de datos y la paridad.

| | |
|---------------|----------------------------------|
| 7 EVEN | = 7 bits de datos, paridad par |
| 7 ODD | = 7 bits de datos, paridad impar |
| 7 NONE | = 7 bits de datos, sin paridad |
| 8 NONE | = 8 bits de datos, sin paridad |

Bit de parada [STOP]

Configure el número de bits de parada.

| | |
|---|--------------------|
| 1 | = 1 bit de parada |
| 2 | = 2 bits de parada |

Conexión tipo "Handshake" [HANDSHAKE]

Configure el método de control del flujo. La conexión por "handshaking" del hardware solo está disponible para el menú COM1.

| | |
|--------------|--|
| NONE | = sin handshaking |
| ONOFF | = handshaking del software tipo XON/XOFF |

Comando de impresión alternativo [ALT.P]

Establezca el carácter de comando alternativo para imprimir.

Hay disponibles configuraciones de la A (a) a la Z (z). La configuración por defecto es **P**.

Comando alternativo de tara [ALT.T]

Seleccione el carácter de comando alternativo para realizar la tara.

Hay disponibles configuraciones de la A (a) a la Z (z) La configuración por defecto es **T**.

Comando alternativo para el cero [ALT.Z]

Establezca el carácter de comando alternativo para el Cero.

Hay disponibles configuraciones de la A (a) a la Z (z). La configuración por defecto es **Z**.

Fin [End]

Avance al siguiente menú o vuelva a la parte superior del menú actual.

4.7.2 Menú imprimir

Acceda a este menú para configurar los parámetros de impresión. En **negrita** aparecen las configuraciones predeterminadas.

| Menu | Submenú | Submenú(en segmento) | Opciones | Opciones (en segmento) |
|--|-------------------------------------|----------------------|---|--|
| Imprimir (P.r. 1.0.1.1)/ 2ª impresión (P.r. 1.0.1.2) | Asignaciones | ASS ION | Solicitud , estable encendido automático, aceptar encendido automático, intervalo (segundos), MT-Continuo, OH-Continuo, SICS | DEFIEN , ON.5tAb, ON.ACCEP, INtEr, rre.cOn, OH.cOn, S ICS |
| | Solo peso estable [Solicitud] | 5tAbLE | Apagado , Encendido (Fuerza LFT encendida) | OFF , ON |
| | Mode [Estable encendido automático] | rre.dE | Carga , carga y cero | LOAD , LOAD:2r |
| | Hora [Intervalo (segundos)] | t rre | 1~50000 | / |
| | Checksum [MT-Continuo] | c.5UPr | Encendido, Apagado | ON, OFF |
| | Plantilla | tErreP | Simple , Personalizado 1, Personalizado 2, Personalizado 3, Personalizado 4, Personalizado 5 | S rreP , cUsE 1, cUsE2, cUsE3, cUsE4, cUsE5 |
| | Reiniciar | rESEt | \ | / |
| | Fin | End | \ | / |

Reiniciar [rESEt]

Reinicie el menú de impresión a los valores predeterminados de fábrica.

NO = no restear.

YES = resetear

Asignación [ASS ION]

Solicitud [DEFIEN]

Si está solicitada la opción **Solicitud**, aparecerá el menú **Estable Solo**.

Configure los criterios de impresión.

OFF = los valores se imprimen inmediatamente, independientemente de la estabilidad.

ON = solo se imprimen los valores cuando se cumplen los valores de estabilidad.

Estable encendido automático [ON.5tAb]

Si está seleccionada la opción **Estable auto encendido**, aparecerá el submenú **Modo**.

Configure el modo de impresión.

LOAD = imprime cuando la carga que se muestra es estable.

LOAD:2r = imprime cuando la lectura de carga y cero son estables.

Aceptar encendido automático [ON.ACCEP]

Si está seleccionada la opción **Aceptar encendido automático** y el modo de pesaje es **Verificación**, se imprimirán los valores cuando el peso se acepte.

ON.ACCEP = la impresión tiene lugar cada vez que la pantalla está dentro del rango aceptable y se alcancen los criterios de estabilidad.

Intervalo [INtEr]

Si está seleccionada la opción **Intervalo**, aparecerá el submenú **Hora**.

INtEr = la impresión tiene lugar en el intervalo de tiempo definido.

El intervalo de tiempo se puede configurar usando el teclado numérico.
Hay disponibles configuraciones de la 1 a la 50000 Segundos. El valor por defecto es 1.
La impresión tiene lugar en el intervalo de tiempo definido.

MT-Continuo [ገፎ.ፎገ]

Si está seleccionada la opción **MT-Continuo**, la salida de impresión estará en formato **MT-Continuo**.

ገገፎ.ፎገ = la impresión tiene lugar de forma continua.

Nota: Consulte el Apéndice A para el formato **MT-Continuo**.

ፎ.ፍገገ

Apagado = desactivado

Encendido = activado

OH-Continuo [ፀገ.ፎገ]

Si está seleccionada la opción **OH-Continuo**, la salida de impresión estará en formato **OH-Continuo**.

Nota: Consulte el Apéndice a para el formato **OH-Continuo**.

ፀገ.ፎገ = la impresión tiene lugar de forma continua.

SICS [5 ፈ5]

ፀFF = desactiva el comando MT-SICS

ፀገ = activa el comando MT-SICS

Nota: Consulte el Apéndice B para los comandos **SICS**.

Finalizar impresión [ፎገፈ]

Avance al siguiente menú o vuelva a la parte superior del menú actual.

Plantilla [ፎፎገፈ]

Este submenú se utiliza para definir el formato de la salida de datos a una impresora o a un ordenador.

5 ገገፈ = solo imprime el resultado y la unidad.

ፎፍፎ 1 = formato de impresión personalizado.

ፎፍፍ 2 = formato de impresión personalizado.

ፎፍፍ 3 = formato de impresión personalizado.

ፎፍፍ 4 = formato de impresión personalizado.

ፎፍፍ 5 = formato de impresión personalizado.

Ejemplo de plantilla de impresión:

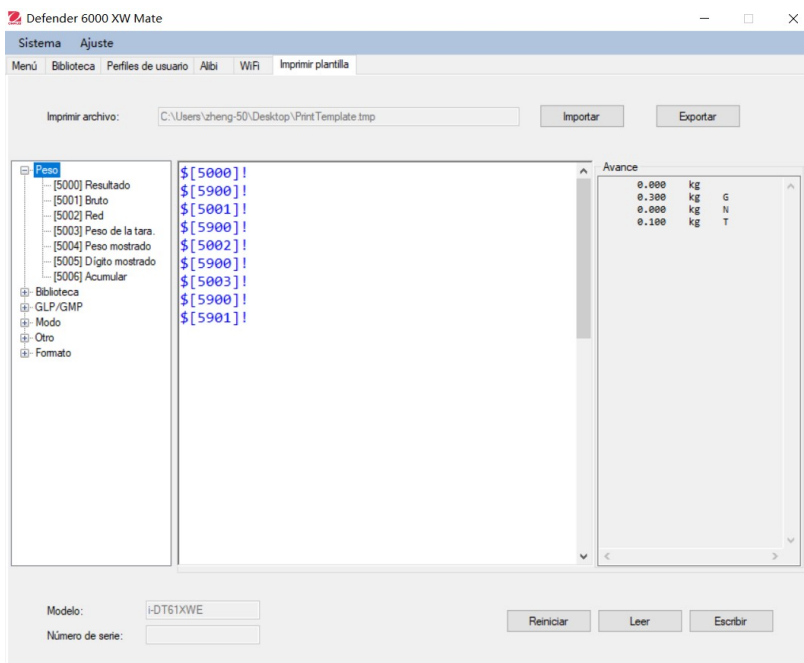
0,000 kg

0,300 kg G

0,000 kg N

0,100 kg T

Para personalizar la plantilla de impresión, debe ir al software ScaleMate, seleccionar **Plantilla de impresión** en la barra superior y, a continuación, hacer doble clic en los elementos de la columna izquierda para seleccionar los que desea incluir en la plantilla de impresión.



Como alternativa, también puede introducir los elementos en la columna central directamente para personalizarla, usando el formato $\$[XXXX]!$ XXXX se refiere al número de índice de cada artículo a imprimir; revise la siguiente tabla para consultar el número de índice de cada artículo.

| Número de índice | Elementos de impresión |
|------------------|------------------------|
| 5000 | Resultado |
| 5001 | Bruto |
| 5002 | Neto |
| 5003 | Tare |
| 5004 | Peso mostrado |
| 5005 | Dígito mostrado |
| 5006 | Acumulado |
| | |
| 5100 | ID |
| 5101 | PN |
| 5102 | Núm. bibl. |
| | |
| 5200 | Fecha |
| 5201 | Hora |
| 5202 | ID del proyecto |
| 5203 | ID de la balanza |
| 5204 | ID del usuario |
| 5205 | Nombre de usuario |
| 5206 | ID de la transacción |
| | |
| 5300 | Mode |
| 5301 | Información |
| 5302 | Target |
| | |
| 5400 | ID de Alibi |
| 5401 | Estado de entrada |
| 5402 | Estado de salida |
| 5403 | SN |
| | |
| 5900 | NuevaLínea |
| 5901 | Fin |

Nota: Para otras funciones de ScaleMate, póngase en contacto con un distribuidor autorizado para obtener las instrucciones del software.

4.7.3 Configuración de RS485

Consulte la configuración de RS485 en el *Manual de instrucciones de la interfaz del Defender® 6000 RS232/RS485/USB*.

4.7.4 Configuración de Ethernet

Consulte la configuración en el *Manual de instrucciones de la interfaz de Ethernet del Defender® 6000*.

4.7.5 Configuración analógica

Consulte la configuración analógica en el *Manual de instrucciones del kit analógico del USB del Defender® 6000*.

4.8 Memoria

La memoria del menú es diferente para el i-DT61PW y el i-DT61XWE. Compruebe los detalles en la siguientes secciones.

4.8.1 Memoria del menú (para el modelo i-DT61PW)

Estado [SELEUS]

Para activar o desactivar la función de memoria.

OFF = para desactivar la función de memoria.

ON = para activar la función de memoria. Pulse el botón **Imprimir** para guardar los datos del pesaje.

Exportar [EXPORT]

Para exportar los datos de pesaje.

NO = la función exportar datos de pesaje está desactivada.

YES = la función exportar datos de pesaje está activada.

Borrar [DELETE]

Para borrar los datos de pesaje.

NO = para no borrar los datos de pesaje

YES = para borrar los datos de pesaje

4.8.2 Memoria USB (para el modelo i-DT61XWE)

La memoria USB se utiliza para almacenar las lecturas de peso para futuras consultas. Al conectar una memoria USB a la balanza, las lecturas de peso ya se pueden almacenar directamente en la memoria USB.

Nota: este menú solo es visible después de detectarse una memoria USB.

Los datos se almacenaran en la memoria externa en la siguiente ubicación:

SYSTEM\DATA

Se creará un nuevo archivo todos los meses (un archivo .txt almacena todos los datos de salida de un mes...). El nombre del archivo .txt será el año más mes.TXT. Por ejemplo, el nombre del archivo .txt paa 2020.6 será **202006.TXT**.

Para activar la memoria USB:

1. Después de insertar una memoria USB, mantenga presionado el botón **Menu** hasta que vea **C.A.L.**
2. Pulse el botón **No** varias veces para navegar hasta que vea **MEM.MEM.** Pulse el botón **Yes**.
3. Pulse el botón **No** para navegar hasta que vea **USB**. Pulse el botón **Yes**.
4. La pantalla parpadea con **ON**. Pulse el botón **Yes** para activar.
5. Aparece el enlace de submenú para (**L INF**) Pulse el botón **Yes** para activar.
6. A continuación, aparece el submenú con selecciones para RS232 (**r5232**), 2ª serie (**2.SEr IA**) y Ethernet (**ETHERNET**). Elija la que desee y pulse el botón **Yes**.
7. En la pantalla aparece **END**. Pulse el botón **Yes**. En la pantalla aparece el siguiente menú. Pulse el botón **Exit** para salir.

4.8.3 Memoria Alibi (para el modelo i-DT61XWE)

Nota: Este menú solo es visible si se ha instalado la opción de hardware de memoria Alibi. Consulte las instrucciones de instalación a continuación.

La memoria Alibi se utiliza para almacenar el historial de pesajes para consultas. Cada registro Alibi contiene los siguientes elementos:

- ID
- Peso bruto/neto, peso de tara y unidad de pesaje
- Fecha y Hora

Para comprobar los registros Alibi, necesita instalar el software ScaleMate. Póngase en contacto con un distribuidor autorizado para obtener el software

El número de registros máximo es 262112.

Cuando la memoria está llena y se guarda otro registro, se borrará automáticamente el primero. En ese momento aparecerá un mensaje de aviso, solicitando la confirmación del usuario.

4.8.3.1 Activar Alibi:

Para activar:

1. Después de instalar el hardware, mantenga pulsado el botón **Menu** hasta que vea **C.A.L.**
2. Pulse el botón **No** varias veces para navegar hasta que vea **ALIBI**. Pulse el botón **Yes**.
3. Pulse el botón **No** para navegar hasta que vea **ALIBI**. Pulse el botón **Yes**.
4. La pantalla parpadea con **ALIBI**. Pulse el botón **Yes** para activar Alibi.
5. En la pantalla aparece **ALIBI**. Pulse el botón **Yes**. La pantalla muestra el siguiente menú **ALIBI**. Pulse el botón **Exit** para salir.

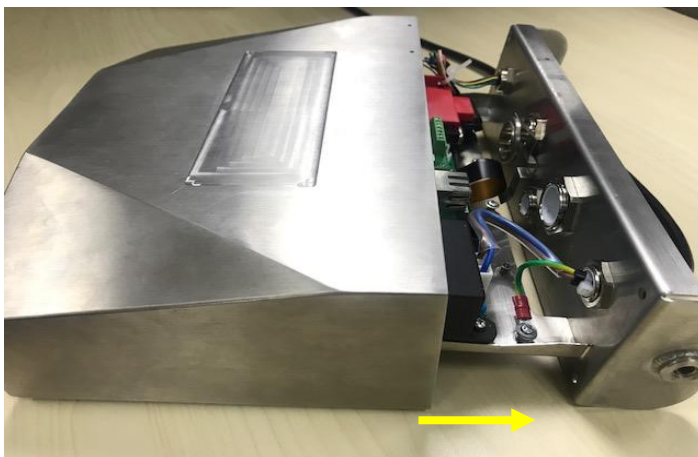
4.8.3.2 Instalación de Alibi

Para instalar:

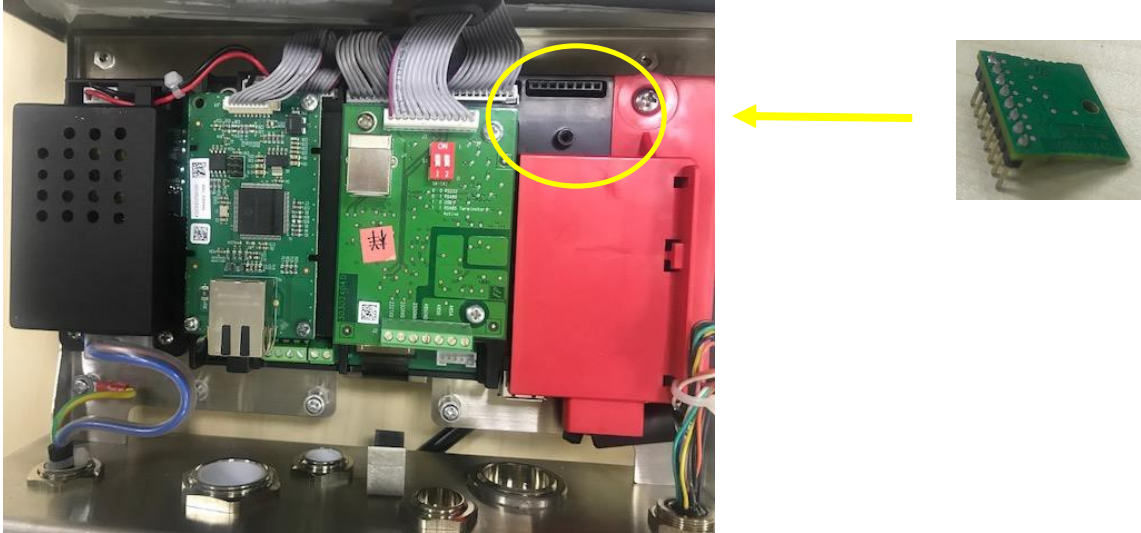
1. Apague y desenchufe el terminal. Desconecte el terminal de una bandeja de pesaje, en caso de estar conectado a una.
2. Coloque el terminal boca abajo, y desenrosque los tornillos marcados en el siguiente gráfico.



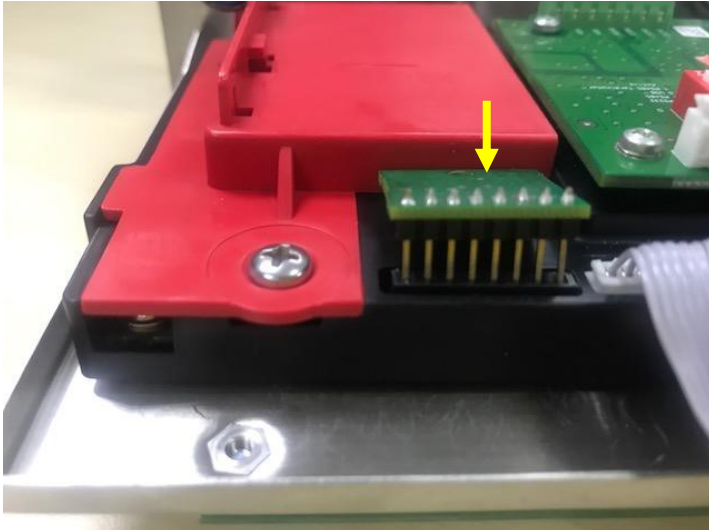
3. Extraiga la parte inferior del terminal.



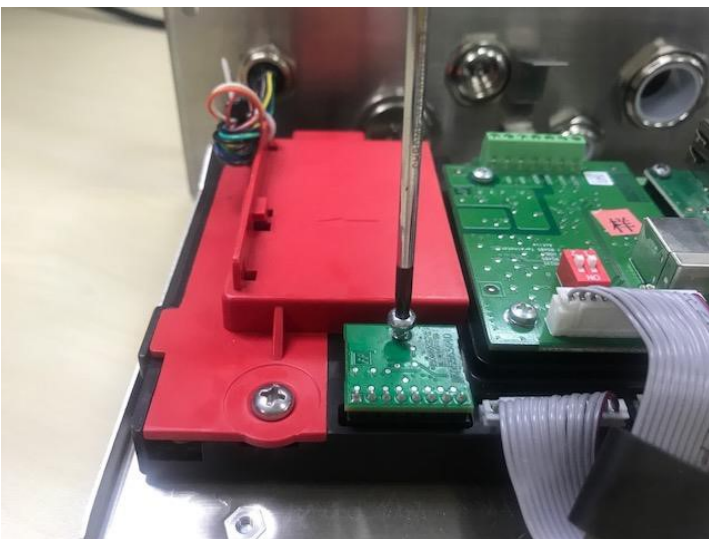
4. Extraiga la tarjeta de memoria Alibi y prepare la instalación en el lugar marcado con el círculo.



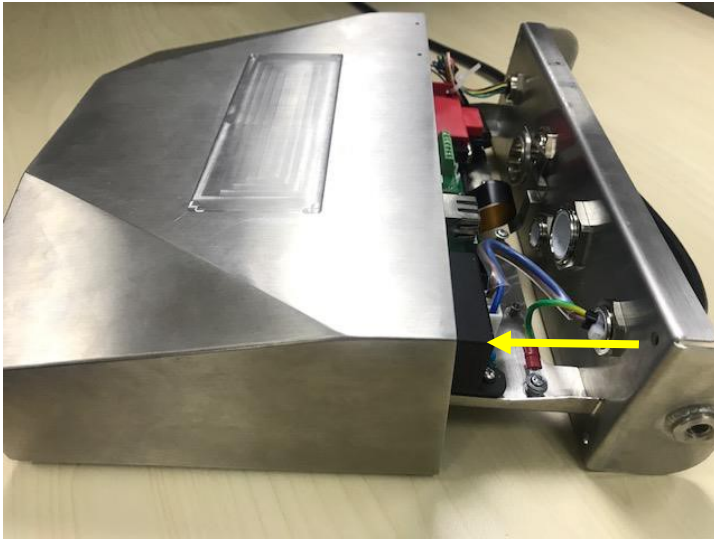
5. Introduzca la tarjeta de memoria Alibi en la ranura, tal y como aparece más abajo. Asegúrese de que las clavijas estén correctamente insertadas.



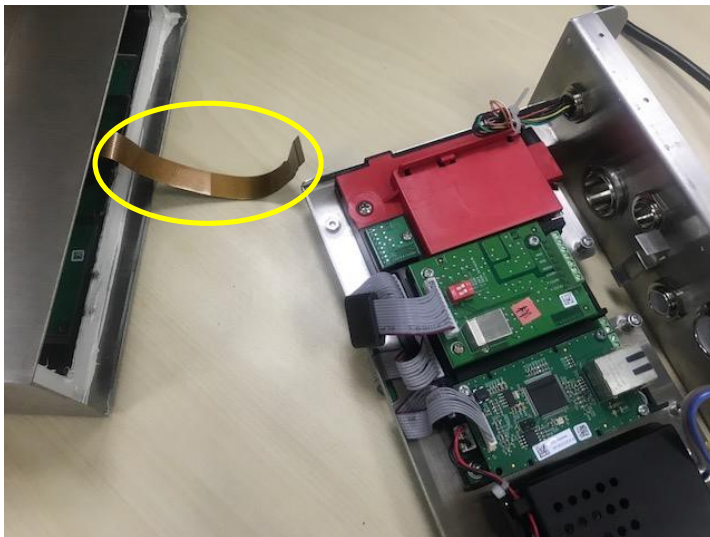
6. Use un destornillador para apretar el tornillo, y asegúrese de que la tarjeta de memoria Alibi está instalada correctamente.



7. Apriete la parte inferior del terminal, y asegúrese de que todos los tornillos marcados en el paso 2 estén apretados.

**Nota:**

Existe la posibilidad de que el cable inferior se desprenda de la parte inferior del terminal cuando lo extraiga. En ese caso, siga los pasos que aparecen a continuación para volver a conectar el cable del botón:



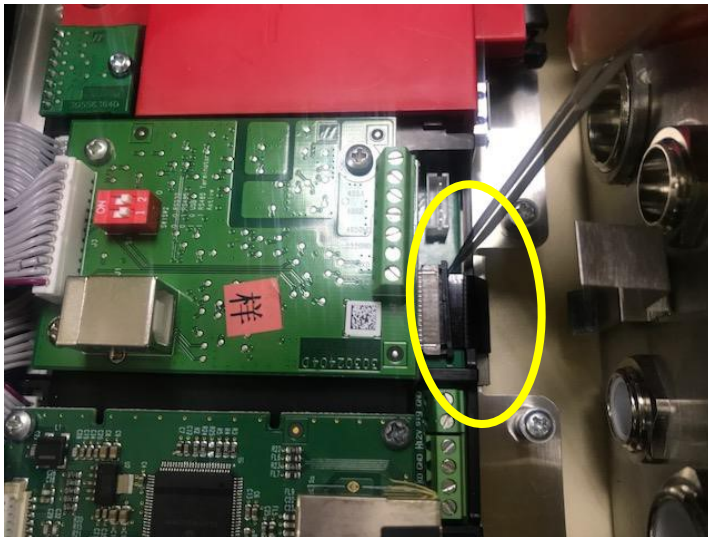
1. Cuando termine de instalar la tarjeta de memoria Alibi, pase el cable inferior por debajo del medidor.



- Y tire de él por debajo de la toma FPC. Empuje el botón del cable más allá de la toma FPC, para que el cable quede sujeto de forma firme.



- Use una pinza u otro tipo de herramienta para tirar del lado derecho e izquierdo de la toma de FPC.



- Asegúrese de que toda la toma FPC esté empujada hacia adentro y el cable del botón esté firmemente sujeto a ella.



- Repita el paso 7 descrito anteriormente para introducir la parte inferior del terminal y apriete todos los tornillos.

4.9 I.O Discreta (para el modelo i-DT61XWE)

El menú discreto I/O permite la configuración de 3 entradas y de 4 salidas. La Entrada0 Discreta se encuentra en la posición J16 en la placa principal (por favor, consulte la sección **Placa principal** para saber dónde se encuentra), mientras que otras Entradas y Salidas Discretas están ubicadas en la placa opcional Discreta I/O.

| Menu | Submenú | Submenú(en segmento) | Opciones: | Opciones (en segmento) |
|--------------|-------------------|----------------------|--|--|
| I.O. I.O. | Reiniciar | rESEt | no, sí | NO, YES |
| | TIPO | TYPE | ABIERTO, CERRADO | OPEN, CLOSED |
| | Entrada0 discreta | INPUT0 | Apagado , cero, tara, borrar tara, imprimir, unidad, iniciar, resetear, iniciar/parar, pausar/continuar | OFF , ZERO, tARE, CLR.tAr, Pr INt, UN It, ACCUM, StAr-t rESEt, StA-SP, PA-rE |
| | Entrada1 discreta | INPUT 1 | Apagado , cero, tara, borrar tara, imprimir, unidad, iniciar, resetear, iniciar/parar, pausar/continuar | OFF , ZERO, tARE, CLR.tAr, Pr INt, UN It, ACCUM, StAr-t rESEt, StA-SP, PA-rE |
| | Entrada2 discreta | INPUT2 | Apagado , cero, tara, borrar tara, imprimir, unidad, iniciar, resetear, iniciar/parar, pausar/continuar | OFF , ZERO, tARE, CLR.tAr, Pr INt, UN It, ACCUM, StAr-t rESEt, StA-SP, PA-rE |
| | Salida1 discreta | OUT 1 | Apagado , sobrecarga, poca carga, superior, inferior, aceptar, superior/inferior, SP1, SP2, SP3, SP4, alarma | OFF , OVLORd, UN.LORd, oVEr, UNdEr, ACCEPt, UN-OU, F.SP 1, F.SP2, F.SP3, F.SP4, ALARm |
| | Salida2 discreta | OUT2 | Apagado , sobrecarga, poca carga, superior, inferior, aceptar, superior/inferior, SP1, SP2, SP3, SP4, alarma | OFF , OVLORd, UN.LORd, oVEr, UNdEr, ACCEPt, UN-OU, F.SP 1, F.SP2, F.SP3, F.SP5, ALARm |
| | Salida3 discreta | OUT3 | Apagado , sobrecarga, poca carga, superior, inferior, aceptar, superior, inferior, SP1, SP2, SP3, SP4, alarma | OFF , OVLORd, UN.LORd, oVEr, UNdEr, ACCEPt, UN-OU, F.SP 1, F.SP2, F.SP3, F.SP5, ALARm |
| | Salida4 discreta | OUT4 | Apagado , sobrecarga, poca carga, superior, inferior, aceptar, superior/inferior, SP1, SP2, SP3, SP4, alarma | OFF , OVLORd, UN.LORd, oVEr, UNdEr, ACCEPt, UN-OU, F.SP 1, F.SP2, F.SP3, F.SP5, ALARm |
| | Fin | End | \ | / |

4.9.1 Tipo de I/O

Establezca el estado de la salida del relé

OPEN = el estado inicial de la salida del relé normalmente es abierto.

CLOSEd = el estado inicial de la salida del relé normalmente es cerrado.

4.9.2 Entrada

Ela función I/O de entrada se define a continuación.

| | |
|-----------------|---|
| OFF | La conexión de entrada está desactivada. |
| ZER0 | La entrada externa inicia una función de Cero |
| TARE | La entrada externa inicia una función de Tara |
| CLRTAR | La entrada externa inicia una función de Borrar Tara |
| PRINT | La entrada externa inicia una función de Imprimir |
| UNIT | La entrada externa inicia una función de Unidad |
| ACCUM | La entrada externa inicia una función de Acumulado |
| START | La entrada externa inicia una función de Inicio |
| RESET | La entrada externa inicia una función de Resetear |
| START-SP | La entrada externa inicia una función de Inicio, la segunda entrada externa inicia una función de Parada. |
| PAUSE | La entrada externa inicia una función de pausa, la segunda entrada externa inicia una función de continuar. |

4.9.3 Salida

| | |
|---------------|---|
| OFF | La conexión de salida está desactivada |
| OVLORD | Si el peso está sobrecargado, el instrumento ejecutará una salida de relé. |
| UNLORD | Si el peso tiene una carga insuficiente, el instrumento ejecutará una salida de relé. |
| OVER | Si el peso está por encima del valor superior que haya establecido, el instrumento ejecutará una salida de relé. |
| UNDER | Si el peso está por debajo el valor inferior que haya establecido, el instrumento ejecutará una salida de relé- |
| ACCEPT | Si el peso está dentro del rango que haya establecido, el instrumento ejecutará una salida de relé |
| UN-OV | Si el peso está por debajo del valor inferior o por encima del valor superior que haya establecido, el instrumento ejecutará una salida de relé |
| F.SP1 | El valor del peso es \geq SP1, el instrumento ejecutará una salida de relé |
| F.SP2 | El valor del peso es \geq SP2, el instrumento ejecutará una salida de relé |
| F.SP3 | El valor del peso es \geq SP3, el instrumento ejecutará una salida de relé |
| F.SP4 | El valor del peso es \geq SP4, el instrumento ejecutará una salida de relé |

4.10 Configuración de la tecla de bloqueo

El menú **L.O.C.F** se utiliza para bloquear el acceso a determinadas teclas. Cuando selecciona ENCENDIDO para una selección, se ignorará la presión de la tecla asociada.

Si selecciona Bloquear todas las teclas, perderá la función de todas las teclas. Para desbloquearlas, mantenga presionado el botón **Menu** durante 30 segundos para acceder a las configuraciones y desbloquearlo.

| Elemento | Configuraciones disponibles (en negrita las configuraciones predeterminadas) |
|--|--|
| Bloquear todas las teclas [L.ALL] | ENCENDIDO , APAGADO |
| Desbloquear todas las teclas [L.OFF] | ENCENDIDO , APAGADO |
| Bloquear la tecla cero [L.ZER0] | ENCENDIDO , APAGADO |
| Bloquea la tecla imprimir [L.PRINT] | ENCENDIDO , APAGADO |
| Bloquear la tecla unidad [L.UNIT] | ENCENDIDO , APAGADO |
| Bloquear la tecla modo [L.MODE] | ENCENDIDO , APAGADO |
| Bloquear la tecla menú [L.MENU] | ENCENDIDO , APAGADO |
| Bloquear la tecla tara [L.TARE] | ENCENDIDO , APAGADO |
| Bloquear la tecla objetivo [L.TARGET] | ENCENDIDO , APAGADO |
| Bloquear la tecla numérica [L.NUM] | ENCENDIDO , APAGADO |
| Reiniciar | NO , SI |

Nota: Si se ha bloqueado el botón **Menu**, mantenga pulsado el botón **Menu** durante 30 segundos para acceder a las configuraciones y desbloquearlo.

4.11 Biblioteca (para el modelo i-DT61XWE)

La biblioteca tiene capacidad hasta para 400 registros. Todos los modos de aplicación comparten una misma biblioteca.

Es posible clonar la biblioteca mediante los siguientes métodos:

1. Copiar todos los archivos a un dispositivo USB.
2. Utilizar el software ScaleMate (versión 2.3.0 o superior) para leer todos los archivos de la biblioteca. Póngase en contacto con un distribuidor autorizado para obtener el software.

Directorio

| | |
|------------|-------------|
| Biblioteca | I-DT61XWLIB |
|------------|-------------|

Elementos de la biblioteca

Las bibliotecas cuentan con diferentes elementos: PN, nombre, tara, inferior, superior, peso de referencia, F.SP1, F.SP2, F.SP3 y F.SP4

PN (**PN**): El número de pieza del material (único).

Nombre (**NAME**): El nombre del material.

Inferior (**UNDEr**): El valor inferior de la verificación.

Superior (**OUEr**): El valor superior de la verificación.

Tara (**TArE**): El peso de tara del material.

Peso de referencia (**rEF.ULt**): el peso de referencia para el pesaje por porcentaje.

APW (**APW**): el peso medio por pieza para el conteo

F.SP1 (**F.SP 1**): el primer peso objetivo para el llenado.

F.SP2 (**F.SP2**): el segundo peso objetivo para el llenado.

F.SP3 (**F.SP3**): el tercer peso objetivo para el llenado.

F.SP4 (**F.SP4**): el cuarto peso objetivo para el llenado.

Cada modo de pesaje es compatible con diferentes elementos. Consulte la tabla que aparece a continuación:

| Elemento \ Modo | P N | Nombre | Inferior | Superior | Tara | Peso de referencia | APW | F.SP1 | F.SP2 | F.SP3 | F.SP4 |
|-----------------|-----|--------|----------|----------|------|--------------------|-----|-------|-------|-------|-------|
| Pesaje | X | X | X | X | X | | | | | | |
| Porcentaje | X | X | X | X | X | X | | | | | |
| Dinámico | X | X | X | X | X | | | | | | |
| Llenado | X | X | | | X | | | X | X | X | X |
| Conteo | X | X | X | X | X | | X | | | | |

Crear un nuevo elemento de biblioteca

Para crear un nuevo elemento de biblioteca

1. Mantenga presionado el botón **Menu** hasta que vea **C.A.L.**. Pulse el botón **No** varias veces para navegar hasta que vea **L. I.b.**. Pulse el botón **Yes**.
2. Pulse el botón **Yes** cuando vea **NEUJ**.
3. En la pantalla aparece **TYPE**. Pulse el botón **Exit** para seleccionar. Pulse el botón **No** para seleccionar entre pesaje (**WEIGH**), porcentaje (**PERCENT**), dinámico (**DYNAMIC**) y llenado (**FILL**). Cuando vea el tipo que desea, pulse el botón **Yes** para seleccionarlo.
4. En la pantalla aparece **PN**. Pulse el botón **Yes** para introducir el número PN. Introduzca el número utilizando el teclado numérico. Pulse el botón **Yes** cuando haya terminado.
5. En la pantalla aparece **NAME**. Pulse el botón **Yes** para introducir el nombre. Introduzca el número utilizando el teclado numérico. Pulse el botón **Yes** cuando haya terminado.
6. A continuación, la pantalla muestra otros valores, tal y como se indica en la tabla anterior para cada valor. Pulse el botón **Yes** para introducir cada valor. Introduzca el número utilizando el teclado numérico. Pulse el botón **Yes** cuando haya terminado.

7. La pantalla muestra **END** cuando termina con todas las configuraciones. Pulse el botón **Yes** para confirmar.
8. En la pantalla aparece **SAVE**. Pulse el botón **Exit** para guardar.
9. En la pantalla aparece el siguiente menú **Ed It**. Pulse el botón **Exit** para salir.

Nota: Si no necesita introducir valores para algunos elementos de los pasos 5 a 7, puede pulsar el botón **No** para saltarse el siguiente elemento.

Editar un elemento de la biblioteca:

Para editar un elemento de la biblioteca::

1. Mantenga presionado el botón **Menu** hasta que vea **C.R.L**. Pulse el botón **No** varias veces para navegar hasta que vea **L. I.b.**. Pulse el botón **Yes**.
2. Pulse el botón **No** para seleccionar hasta que vea **Ed It**. Pulse el botón **Yes**.
3. En la pantalla aparece **SEARCH**. Pulse el botón **Yes**.
4. Introduzca el número PN del elemento de la biblioteca que necesite editar. Utilice el teclado numérico para introducir los datos y pulse el botón **Yes** cuando haya terminado.

Si necesita buscar el número PN, introduzca al menos un número del PN de ese elemento mediante el teclado numérico y a continuación pulse el botón **Yes**. El primer número PN incluye el número que introduzca y que se mostrará. Pulse el botón **No** para navegar entre los diferentes números de los productos. Cuando vea el que desea, pulse el botón **Yes** para confirmar.

Si introduce más de un número del PN, asegúrese de que son consecutivos.

Por ejemplo, si desea buscar un artículo de la biblioteca con PN 76543, para introducir solo un número, puede introducir 7, 6, 5, 4 o 3. Para introducir más de un número, puede introducir 76, 765, 54, 543 etc. Evite introducir números que no sean consecutivos, como 74, 753, etc. El resultado no aparecerá.

5. La pantalla muestra el número PN del elemento de la biblioteca a editar. Pulse el botón **Yes** para confirmar.
6. En la pantalla aparece **TYPE**.
 - Pulse el botón **Yes** si necesita editarlo. A continuación, pulse el botón **No** para seleccionar entre pesaje (**WEIGH**), porcentaje (**PERCENT**), dinámico (**DYNAMIC**) y llenado (**FILL**). Cuando vea el tipo que desea, pulse el botón **Yes**.
 - Pulse el botón **No** si no necesita editarlo, y pase al siguiente elemento.
7. Repita el paso 6 para editar todos los elementos que necesite.
8. Cuando haya terminado, continúe pulsando el botón **No** hasta que vea **END**. Pulse el botón **Yes** para confirmar.
9. En la pantalla aparece **SAVE**. Pulse el botón **Exit** para guardar.
10. En la pantalla aparece **END**. Pulse el botón **Exit** para salir.

Recuperar un elemento de la biblioteca:

Para recuperar y utilizar un elemento de la biblioteca en los modos pesaje, conteo, porcentaje, dinámico y llenado:

Introduciendo datos:

- Introduzca el PN para el elemento de la biblioteca mediante el teclado numérico en esos modos de pesaje. A continuación, pulse el botón **Lib** hasta que vea el número del producto en la pantalla. Pulse el botón **Yes** para confirmar.
- La búsqueda también admite la introducción de un PN abreviado. Para ello, puede introducir al menos un número del PN mediante el teclado numérico, y a continuación mantener pulsado el botón **Lib**. El primer número producto incluye el número que introduzca y que se mostrará. Pulse el botón **No** para navegar entre los diferentes números de los productos. Cuando vea el que desea, pulse el botón **Yes** para confirmar.

Si introduce más de un número del PN, asegúrese de que son consecutivos.

Por ejemplo, si desea buscar un elemento de la biblioteca con PN 76543, puede introducir 76, 765, 54, 543, etc. Evite introducir números que no sean consecutivos, como 74, 753, etc. El resultado no aparecerá.

Mediante RFID o código de barras.

Si el número de producto introducido a través de un RFID o un código de barras coincide con un número de producto de la biblioteca, el terminal recuperará el registro de la biblioteca.

Cuando haya un registro de la biblioteca en uso, una flecha en la pantalla apuntará al icono de la biblioteca



Dejar de usar un elemento de la biblioteca:

Para dejar de usar un elemento de la biblioteca en los modos pesaje, conteo, porcentaje, dinámico y llenado:

1. Cuando esté pesando en alguno de los modos que aparecen más arriba, mantenga pulsado el botón **Lib**. La pantalla muestra el número producto del elemento de la biblioteca en uso.
2. Pulse el botón **CLR** cuando vea el número del producto en la pantalla. En la pantalla aparecerá **CLRL lb**. Pulse el botón **Exit** para borrar. Pulse el botón **No** para volver al modo de aplicación activo.

4.12 Usuario (para el modelo i-DT61XWE)

Acceda al menú **U.S.E.r** para añadir o editar usuarios. El número máximo de usuario es 100. El registro contiene el ID y el NOMBRE. La longitud del ID y del NOMBRE es de aproximadamente 32 caracteres.

Añadir un usuario.

Para añadir un nuevo usuario:

1. Mantenga presionado el botón **Menu** hasta que vea **C.R.L**. Pulse el botón **No** varias veces para navegar hasta que vea **U.S.E.r**. Pulse el botón **Yes**.
2. En la pantalla aparece **NEUJ**. Pulse el botón **Yes**.
3. En la pantalla aparece **Id**. Pulse el botón **Yes**, y a continuación introduzca el nuevo ID usando el teclado numérico. Pulse el botón **Yes** cuando haya terminado.
4. En la pantalla aparece **NAME**. Pulse el botón **Yes**, y a continuación introduzca el nuevo nombre usando el teclado numérico. Pulse el botón **Yes** cuando haya terminado.
5. En la pantalla aparece **END**. Pulse el botón **Yes**.
6. En la pantalla aparece **SAVE**. Pulse el botón **Yes** para guardar, y la pantalla avanza al siguiente menú **Ed It**.

Editar un usuario

Para editar un usuario:

1. Mantenga presionado el botón **Menu** hasta que vea **C.R.L**. Pulse el botón **No** varias veces hasta que vea **U.S.E.r**. Pulse el botón **Yes**.
2. En la pantalla aparece **NEUJ**. Pulse el botón **No** para seleccionar **Ed It**. Pulse el botón **Yes**.
3. En la pantalla aparece **SEARCH**. Pulse el botón **Yes**.
4. Introduzca el ID del usuario usando el teclado numérico. Pulse el botón **Yes**. La pantalla muestra el ID del usuario. Pulse el botón **Yes**.

Como alternativa, también puede buscar el ID de un usuario introduciendo al menos un número del ID mediante el teclado numérico y pulsando a continuación el botón **Yes**. El primer ID de usuario incluye el número que introduzca y que se mostrará. Pulse el botón **No** para navegar entre los diferentes ID. Cuando vea el que desea, pulse el botón **Yes** para confirmar.

Si introduce más de un número del ID, asegúrese de que son consecutivos.

Por ejemplo, si desea buscar un ID 76543, para introducir solo un número, puede introducir 7, 6, 5, 4 o 3. Para introducir más de un número, puede introducir 76, 765, 54, 543 etc. Evite introducir números que no sean consecutivos, como 74, 753, etc. El resultado no aparecerá.

5. En la pantalla aparece **Id**. Pulse el botón **Yes**, y a continuación introduzca el nuevo ID usando el teclado numérico. Pulse el botón **Yes** cuando haya terminado.
6. En la pantalla aparece **NAME**. Pulse el botón **Yes**, y a continuación introduzca el nuevo nombre usando el teclado numérico. Pulse el botón **Yes** cuando haya terminado.
7. En la pantalla aparece **END**. Pulse el botón **Yes**.
8. En la pantalla aparece **SAVE**. Pulse el botón **Exit** para guardar.

9. En la pantalla aparece **END**. Pulse el botón **Yes**, y la pantalla mostrará **E.N.d.** para el menú de memoria. Pulse el botón **Yes** para salir.

Recuperar un usuario

Para recuperar un usuario en los modos pesaje, conteo, porcentaje, dinámico o llenado:

Introduciendo datos:


- Introduzca el ID del usuario mediante el teclado numérico en esos modos de pesaje. A continuación, pulse el botón **User** hasta que vea el ID en la pantalla. Pulse el botón **Yes** para confirmar.
- La búsqueda también admite la introducción de un ID abreviado. Para ello, puede introducir al menos un número del ID mediante el teclado numérico, y a continuación mantener pulsado el botón **User**. El primer número producto incluye el número que introduzca y que se mostrará. Pulse el botón **No** para navegar entre los diferentes ID. Cuando vea el que desea, pulse el botón **Yes** para confirmar.

Si introduce más de un número del ID, asegúrese de que son consecutivos.

Por ejemplo, si desea buscar un ID de usuario 76543, puede introducir 76, 765, 54, 543, etc. Evite introducir números que no sean consecutivos, como 74, 753, etc. El resultado no aparecerá.

Mediante RFID o código de barras.

Si el número de ID de usuario introducido a través de un RFID o un código de barras coincide con un ID de usuario de la biblioteca, el terminal recuperará el usuario.

Cuando haya un usuario en uso, una flecha en a pantalla apuntará al icono del usuario . Más adelante, si selecciona el usuario en la plantilla de impresión, se imprimirá el ID del usuario.

Dejar de usar un usuario

Para dejar de usar un usuario en los modos pesaje, conteo, porcentaje, dinámico o llenado:

1. Cuando esté pesando en alguno de los modos que aparecen más arriba, mantenga pulsado el botón **User**. La pantalla muestra el ID del usuario que esté en uso actualmente.
2. Pulse el botón **CLR** cuando vea que se muestra el ID. En la pantalla aparecerá **CLRL** **ib**. Pulse el botón **Yes** para borrar. Pulse el botón **No** para volver al modo de aplicación activo.

4.13 USB (para el modelo i-DT61XWE)

Este menú aparecerá cuando se conecte una unidad de memoria USB, un RFID, un escáner de código de barras, un teclado o un dongle Wi-Fi o Bluetooth (opcional)

| Menú | Submenú | Submenú(en segmento) | Opciones | Opciones (en segmento) |
|--------------|-------------------------------------|----------------------|--|-------------------------------|
| USB U.S.b | Reiniciar | rESEt | No, sí | NO, YES |
| | TIPO | TYPE | Unidad de memoria /RFID/Escáner de código de barras /Teclado | disk, rfid, barcode, keyboard |
| | menú exportar[Unidad de memoria] | EXPORT | \ | |
| | menú importar[Unidad de memoria] | IMPORT | \ | |
| | bib. exportar[Unidad de memoria] | LIBIB | \ | |
| | bib. importar[Unidad de memoria] | LIBI | \ | |
| | exportar usuario[Unidad de memoria] | EXPORT | \ | |
| | importar usuario[Unidad de memoria] | IMPORT | \ | |
| | Longitud[Código de barras] | LENGTH | XXXXXXXX | |
| | Dígito inicial[Código de barras] | START | XX | |
| | Fin | End | \ | / |

4.13.1 Unidad de memoria USB

A continuación se definen las funciones del menú de la unidad de memoria USB:

| | |
|--------|--|
| EXPORT | Exportar las configuraciones del menú a una unidad de memoria USB |
| IMPORT | Importar las configuraciones del menú de una unidad de memoria USB |
| LIBIB | Exportar las bibliotecas a una unidad de memoria USB |
| LIBI | Importar las bibliotecas de una unidad de memoria USB |
| EXPORT | Exportar los perfiles de usuario a una unidad de memoria USB |
| IMPORT | Importar los perfiles de usuario de una unidad de memoria USB |

Nota: La Biblioteca/Usuario/Configuraciones del menú se pueden exportar a una unidad de memoria. Dicha unidad de memoria se puede insertar en otro terminal, y se pueden importar al terminal las Configuraciones del Menú. Después de finalizar la importación, se reiniciará el terminal, A continuación, las configuraciones del menú de ambos terminales serán las mismas.

4.13.2 RFID

Utilice un lector RFID para buscar el PN (número de producto) o el ID de usuario para recuperar y usar el elemento de la biblioteca relacionado o el usuario durante el pesaje.

Utilice un lector RFID para introducir números cuando esté en el modo entrada.

Dado que hay muchas marcas de dispositivos RFID en el mercado, OHAUS ha comprobado y confirmado el lector que aparece a continuación de RFIDeas (www.RFIDeas.com) es compatible:

RDR-6081AKU-C06.

4.13.3 Código de Barras

Utilice un escáner de código de barras para buscar el PN (número de producto) o el ID de usuario para recuperar y usar el elemento de la biblioteca relacionado o el usuario durante el pesaje.

Utilice un escáner de código de barras para introducir números cuando esté en el modo entrada.

| | |
|-----------|--|
| LENGTH | Especifique la longitud del segmento de lectura del lector de código de barras. |
| 5.d 10 12 | Especifique el dígito inicial del segmento de lectura del lector de código de barras. El escáner de código de barras solo responderá cuando el dígito inicial coincida con su configuración. |

Dado que hay muchas marcas de escáneres de código de barras en el mercado, OHAUS ha comprobado y confirmado que el escáner de código de barras que aparece a continuación de Datalogic® es compatible: QuickScan series

4.13.4 Teclado

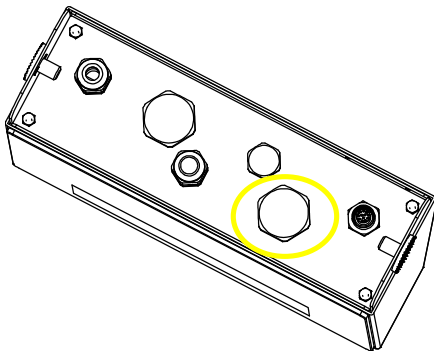
Utilice un teclado para introducir números cuando esté en el modo entrada.

4.13.5 Dongle Wi-Fi/Bluetooth (Opcional)

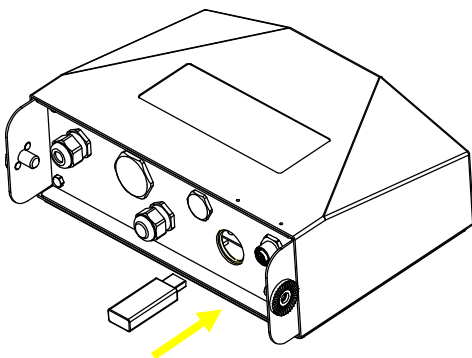
Un dongle para Wi-Fi o Bluetooth puede ayudar al terminal a recibir datos que se transmitan mediante Wi-Fi o Bluetooth. Es opcional, y puede ponerse en contacto con su distribuidor autorizado de OHAUS para conseguirlo.

4.13.5.1 Instalación de un dongle USB para Wi-Fi o Bluetooth

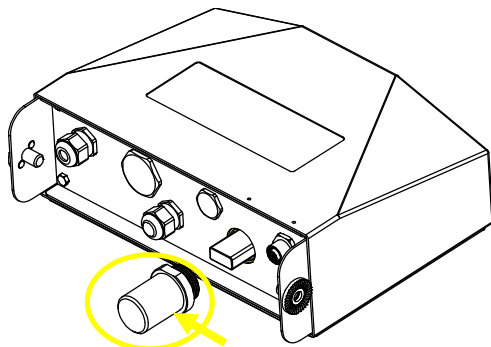
1 Retire la cubierta M25 ubicada en la parte inferior del indicador.



2 Conecte el dongle USB para Wi-Fi o Bluetooth a través del orificio M25.



3 Cierre la cubierta del dongle USB.



Cubierta del dongle USB para Wi-Fi o Bluetooth

Nota: La cubierta también es opcional, póngase en contacto con su distribuidor autorizado de OHAUS para conseguirla.

4.13.5.2 Configuración

Después de insertar el dongle, el indicador lo reconocerá y añadirá los elementos correspondientes al menú. El indicador mostrará la dirección IP, y deberá configurar otros parámetros a través del software ScaleMate de OHAUS. Para conseguir el software, póngase en contacto con su distribuidor autorizado de OHAUS.

Nota: para saber cómo configurar los parámetros del software ScaleMate, consulte el vídeo de instrucciones del software a través de un distribuidor autorizado de OHAUS.

Configuración inalámbrica

| Menu | Submenú | Submenú (en segmento) | Opciones | Opciones (en segmento) |
|---------------------------------|----------------------------|-----------------------|-----------------------------------|------------------------|
| Inalámbrico Wi-Fi, Bluetooth | Reiniciar | RESET | No, sí | NO, YES |
| | Tipo | TYPE | wifi, bluetooth | WiFi, Bluetooth |
| | Dirección IP [Wi-Fi] | IP.Addr | XXXXXX-XXXX (169.254.1.1-6060) | / |
| | Nombre del Dispositivo[bt] | DEVICE | XXXXXX | / |
| | Codigopin [bt] | PIN | XXXXXX | / |
| | Alt Print CMD | ALT.P | A~Z, P | / |
| | Alt Tara CMD | ALT.T | A~Z, T | / |
| | Alt Cero CMD | ALT.Z | A~Z, Z | / |
| Fin | END | \ | / | |

Dirección MAC

La dirección de Control de Acceso Medio (MAC) del Wi-Fi/Bluetooth no es editable.

Puerto

El valor por defecto del puerto IP es 6060.

DHCP

Si el DHCP está configurado como **ENCENDIDO**, la IP compartida o el router asignarán automáticamente una dirección IP. Si el DHCP está configurado como APAGADO, los usuarios deberán configurar la dirección IP, la máscara de subred, el portal de acceso, el DNS primario y el DNS secundario. Si no hay un servidor DHCP en la red, el servidor DHCP de la placa de opciones de Ethernet pasará a serlo.

Nota: Después de configurar la dirección IP, la máscara de subred, el portal de acceso, el DNS primario y el DNS secundario, reinicie el indicador para activar las configuraciones.

Dirección IP

La IP por defecto es 192.168.1.2

Máscara de subred

La máscara de subred por defecto es 255.255.255.0

Portal de acceso

El portal de acceso por defecto es 192.168.1.1

DNS primario y DNS secundario

El valor DNS no es necesario cuando el sistema se conecta a una red LAN, y viene asignado por el ISP cuando se conecta a Internet.

Comando alternativo

El comando alternativo para imprimir, realizar la tara o el cero se puede configurar entre "a" ~ 'z' o 'A' ~ 'Z'.

Nota: El submenú aparecerá después de la instalación del dongle.

Menú de impresión

Para la configuración de impresión por Wi-Fi y Bluetooth, consulte la sección **Menú de impresión** en la parte de **Comunicación** para conocer los detalles sobre los ajustes de impresión.

Configuración del Bluetooth

Para vincular su dispositivo con el terminal a través de Bluetooth, tome Windows 10 como ejemplo:

1. Haga clic en **Configuraciones** en el menú **Inicio**.
2. Seleccione **Dispositivos (Bluetooth, impresoras, ratón)** en la ventana emergente **Configuraciones** o escriba Bluetooth en la barra de búsqueda de la ventana para lanzar el programa **Bluetooth y otros dispositivos**.
3. Haga clic en **Añadir Bluetooth y otro dispositivo**.
4. Seleccione **Bluetooth** en la ventana emergente **Añadir un dispositivo**.
5. Seleccione el nombre del Bluetooth de su terminal para vincularlo, y a continuación compruebe el código pin que aparece con él.
6. Introduzca el código pin usando el teclado numérico de su terminal.
7. Si aparece en su ordenador el mensaje **Su terminal está listo para comenzar**, significa que la conexión ha tenido éxito.
8. Si necesita comprobar que puertos COM (en serie) está usando su ordenador, siga los pasos que aparecen a continuación:
 - a) En la página **Bluetooth y otros dispositivos**, en lugar de hacer clic en **Añadir Bluetooth y otro dispositivo**, desactive la página y busque **Más opciones de Bluetooth** en la sección **Configuraciones relacionadas**.
 - b) Haga clic en **Más opciones de Bluetooth**.
 - c) Seleccione **Puertos COM** en la barra superior, y aparecerán los puertos COM (en serie) que estén en uso.

Nota: si utiliza otro dispositivo para vincular este terminal, siga el método específico de vinculación para Bluetooth de dicho dispositivo.

5. LEGAL FOR TRADE

Cuando se utilice el indicador en comercio o con una aplicación controlada legalmente, debe ser configurada, verificada y sellada de acuerdo con los pesos locales y las normativas en cuanto a medidas. Es responsabilidad del comprador garantizar que se cumplan todos los requisitos legales.

5.1 Configuraciones

Antes de la verificación y el sellado, se deben llevar a cabo los siguientes pasos:

- 1 Verifique que las configuraciones del menú cumplen con las regulaciones locales en cuanto a pesos y medidas.
- 4 Realice una calibración tal y como se explica en la **Calibración**.
- 5 Apague el indicador.

Para encender el interruptor de seguridad:

1. Desconecte la corriente del indicador y abra la carcasa tal y como se explica en la sección **Apertura de la carcasa** en el capítulo **Instalación**. (Extraiga las baterías para el modelo i-DT61PW).
2. Ajuste la posición del interruptor de seguridad SW1 en ENCENDIDO. (Consulte la sección Placa principal para saber dónde está ubicado SW1 en la placa principal).
3. Cierre la carcasa.
4. Vuelva a conectar la corriente y encienda el indicador. (Vuelva a instalar las baterías para el modelo i-DT61PW).

5.2 Verificación

El procedimiento de verificación debe ser realizado por el oficial responsable local de pesos y medidas o por un agente del servicio autorizado.

5.3 Sellado

Después de verificar la balanza, debe ser sellada por el responsable de para evitar accesos no deseados a los ajustes controlados legalmente. Consulte las ilustraciones que aparecen a continuación con respecto a los métodos de sellado.

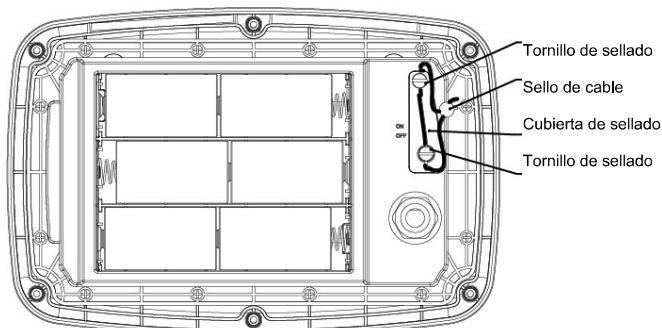


Imagen 5-1. i-DT61PW sello de cable

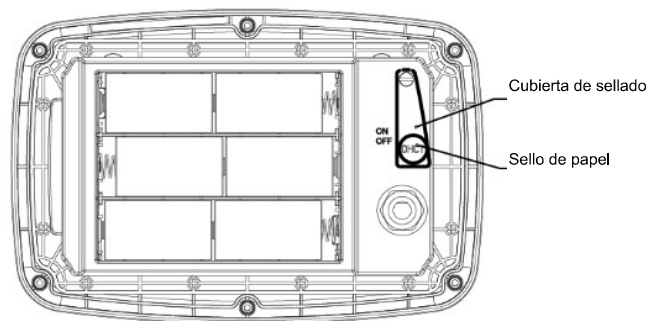


Imagen 5-2. i-DT61PW sello de papel

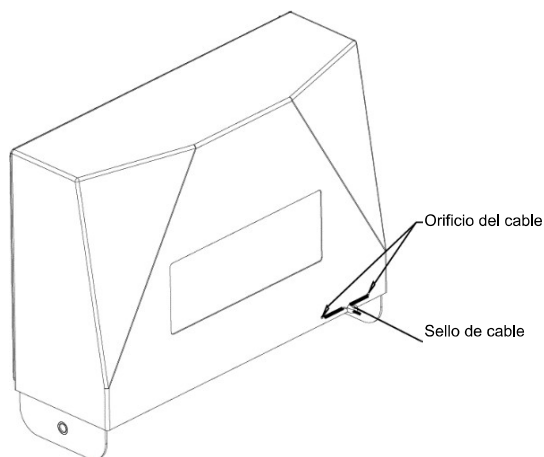


Imagen 5-3. i-DT61PW sello de cable

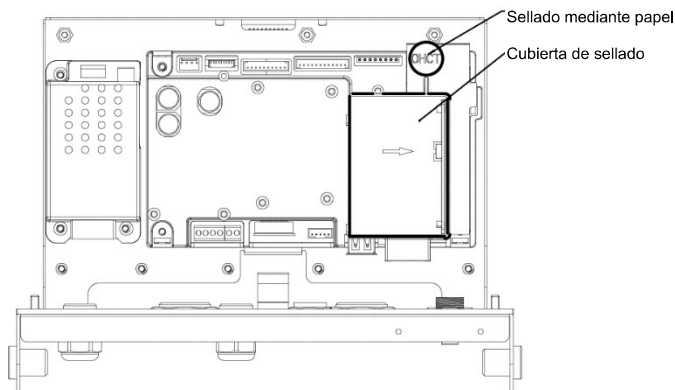


Imagen 5-4. i-DT61PW Sello de papel

Cuando los indicadores i-DT61PW o i-DT61XWE están conectados a una base de la serie OHAUS Defender 6000 que presenta la función EasyConnect™. Tiene un módulo de memoria en el cable de la célula de carga, y el cable de conexión se sella mediante una combinación de software, para que no sea necesario sellar el cable con hardware. Una vez que el indicador o la base se sustituyen por nuevos, aparecerá un mensaje de error (**Error 8.9**) en la ventana que se muestra del indicador.

Cuando los indicadores i-DT61PW o i-DT61XWE están conectados a una base externa que no incluye un módulo de memoria, la conexión entre el indicador y el receptor de carga debe sellarse usando una cubierta para el conector (P/N: 30538022), una pegatina de sellado o un sellado mediante cable.

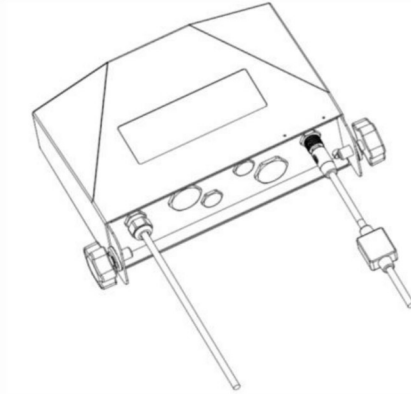


Imagen 5-5. Cale de conexión con conector y módulo de memoria.

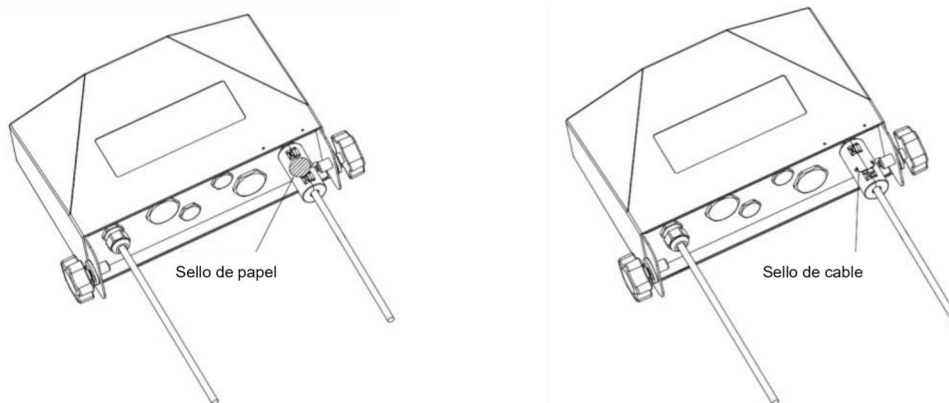


Imagen 5-6. Cable de conexión con conector y sin módulo de memoria.

6. MANTENIMIENTO

PRECAUCIÓN: DESCONECTE LA UNIDAD DE LA FUENTE DE ALIMENTACIÓN ANTES DE LIMPIARLA.

6.1 Limpieza



AVISO: Peligro de descarga eléctrica. Desconecte el equipo de la fuente de alimentación antes de limpiarlo. Asegúrese de que no entre ningún líquido en el interior del dispositivo.



Atención: No utilice disolventes, productos químicos corrosivos, amoníaco ni agentes limpiadores abrasivos.

Se puede limpiar la carcasa con un paño humedecido en detergente suave si es necesario.

6.1.1 Limpieza del modelo i-DT61PW

- Se puede limpiar la carcasa con un paño humedecido en detergente suave si es necesario.
- No utilice disolventes, productos químicos, alcohol, amoníaco o productos abrasivos para limpiar la carcasa o el panel de control.

6.1.2 Limpieza del modelo i-DT61XWE

- Utilice soluciones de limpieza aprobadas para la carcasa de acero inoxidable del Indicador, y enjuague con agua. Séquelo completamente.
- No utilice disolventes, productos químicos, alcohol, amoníaco o productos abrasivos para limpiar el panel de control.

6.2 Resolución de problemas

TABLA 6-1 Resolución de problemas

| SÍNTOMA | CAUSA(S) PROBABLE(S) | SOLUCIÓN |
|--|---|---|
| Error EEP | Error EEPROM Checksum | Datos EEPROM corruptos |
| La unidad no se encenderá | El cable de corriente no está enchufado o no está enchufado correctamente. La toma de corriente no suministra electricidad. Batería descargada (i-DT61PW). Otro fallo. | Compruebe las conexiones del cable de corriente. Asegúrese de que el cable de corriente está correctamente enchufado en la toma de corriente. Compruebe la fuente de corriente. Cambie las baterías (i-DT61PW). Es necesaria una reparación. |
| No se puede configurar el cero de la balanza, o no hay cero al encenderse. | La carga sobre la balanza supera los límites permitidos. La carga sobre la balanza no es estable. Daño en las células de carga. | Retire la carga sobre la balanza. Espere a que la balanza se estabilice. Es necesaria una reparación. |
| No se puede calibrar. | El menú de bloque de bloqueo de calibración está encendido. El menú LFT está encendido. Valor incorrecto para la masa de calibración. | Configure el menú de bloqueo de calibración en apagado. Consulte la sección 3.12 Bloqueo del Menú. Configure el menú LFT en apagado. Utilice la masa de calibración correcta.. |
| No se puede mostrar el peso en la unidad de pesaje deseada. | La unidad no está configurada como encendida. | Active la unidad en el menú de unidades. Consulte la sección Menú de Unidades para más ayuda. |
| No se pueden cambiar las configuraciones del menú. | El menú se ha bloqueado. | Configure el menú seleccionado como apagado en el menú de bloqueo. Puede ser necesario configurar el interruptor de bloqueo de la placa de circuito en la posición de apagado. |
| Error 8.1 | La lectura del peso excede el límite del cero de encendido. | Retire la carga sobre la balanza. Vuelva a calibrar la balanza. |
| Error 8.2 | La lectura del peso está por debajo del límite del cero de encendido. | Añada carga a la balanza. Vuelva a calibrar la balanza. |
| Error 8.3 | La lectura del peso excede el límite de la sobrecarga. | Reduzca la carga sobre la balanza. |
| Error 8.4 | La lectura del peso está por debajo del límite de carga baja. | Añada carga a la balanza. Vuelva a calibrar la balanza. |
| Error 8.6 | El peso supera los seis dígitos. Exceso en la pantalla. | Reduzca la carga sobre la balanza. |
| Error 8.8 | Los datos de calibración de fábrica en el módulo de memoria al final del cable de la célula de carga no son válidos bajo el estado LFT APAGADO. | Calibre la balanza. |
| Error 8.9 | Error al leer el número de serie del módulo de memoria o el número de serie no coincide con el del indicador bajo el estado LFT ENCENDIDO. | Rompa el sello o sustituya la base/indicador original. |
| Error 9.5 | No hay presentes datos de calibración. | Calibre la balanza. |
| Símbolo de la batería parpadeando | Las baterías están descargadas. | Cambie las baterías (i-DT61PW). |
| ERR E | Valor de calibración fuera de los límites permisibles. | Utilice el peso de calibración correcto. |
| NO.5LW | Intentar salir del menú con el ajuste LFT en ENCENDIDO y el interruptor de seguridad en APAGADO. | Consulte el capítulo LEGAL FOR TRADE para conocer más detalles acerca de cómo configurar el interruptor de seguridad en la posición ENCENDIDO. |
| REF. LWT Err | Peso de referencia demasiado bajo. El peso sobre la plataforma es demasiado bajo para definir un peso de referencia válido. | Utilice un peso superior como muestra. |

6.3 Información de servicio

Si la sección de resolución de problemas no resuelve o su problema, póngase en contacto con un agente de servicio OHAUS autorizado. Para asistencia de servicio o en los Estados Unidos llame al número gratuito 1-800-526-0659 entre las 08:00 AM y las 17:00 PM (hora del este). Un especialista en servicio de productos de OHAUS estará disponible para brindarle asistencia. Fuera de los EE.UU. visite nuestra página web, www.ohaus.com, para localizar la oficina de OHAUS más cercana.

7. DATOS TÉCNICOS

7.1 Especificaciones

Materiales

Carcasa del I-DT61XWE: acero inoxidable 316

Carcasa del I-DT61PW: policarbonato (PC)

Ventana de la pantalla: policarbonato (PC)

Teclado: policarbonato (PC)

Especificaciones del equipo:

Solo para uso en interiores

Altitud: 2.000 m

Temperatura de funcionamiento: -10°C a 40°C

Humedad: humedad relativa máxima del 80 % para temperaturas de hasta 31 °C, disminuyendo linealmente al 50 % de humedad relativa a 40 °C.

Suministro eléctrico: 100 - 240V~, 0,5 A, 50/60 Hz (i-DT61XWE); 6 x D batería alcalina (i-DT61PW).

Fluctuaciones de voltaje: Las fluctuaciones del voltaje de la red eléctrica de hasta ± 10 % del voltaje nominal.

Categoría de sobretensión (Categoría de instalación) II

Grado de contaminación: 2

| Modelo | i-DT61PW |
|---|--|
| Estructura | Carcasa de plástico y policarbonato, soporte de acero inoxidable 304 |
| Protección | IP68/IP69k |
| Resolución máxima mostrada | 1:75.000 |
| Resolución máxima aprobada | 1:10,000 (EC, OIML & NTEP) Clase III |
| Unidades de pesaje | Kilogramo, gramo, libra, onza, liba: onza, tonelada (tonelada métrica) |
| Modos | Pesaje básico, pesaje por porcentaje, conteo de piezas con APW optimizado, pesaje/conteo de verificación, pesaje dinámico. |
| Pantalla | Pantalla LCD de 6 dígitos y 7 segmentos con luz de fondo blanca, dígitos de 45 mm de alto |
| Indicador de verificación | Barra LED de 3 colores (rojo, verde, amarillo) |
| Teclado | Tecla mecánica de 6 funciones |
| Seguimiento de autocero | Apagado, 0,5 d, 1 d o 3 d |
| Tensión de excitación de las célula de carga | 3.3VDC |
| Controlador de las células de carga | Hasta 4 células de carga x 350 ohm |
| Sensibilidad de entrada de las células de carga | Hasta 3 mV/V |
| Potencia | 6 x baterías alcalinas D |
| Vida de la batería | 1500 horas de uso continuo con luz de fondo apagada |
| Interfaz | Puerto de comunicación USB por infrarrojos |
| Dimensiones de envío | 300 x 265 x 135 mm 11,8 x 10,4 x 5,3 pulgadas |
| Dimensiones del producto (con soporte) | 10,4 x 8,9 x 3,3 pulg. / 265 x 225 x 85 mm |
| Peso neto aprox, | 2,7 kg / 6,0 lb |
| Peso de envío aprox. | 3,8 kg / 8,4 lb |
| Rango de temperatura de funcionamiento | 14°F a 104°F / -10°C a 40°C |

| Modelo | i-DT61XWE |
|---|--|
| Estructura | Carcasa de acero inoxidable 316, soporte de acero inoxidable 316 |
| Protección | IP68/IP69k |
| Resolución máxima mostrada | 1:75.000 |
| Resolución máxima aprobada | 1:10,000 (EC, OIML & NTEP) Clase III |
| Unidades de pesaje | Kilogramo, gramo, libra, onza, liba: Onza |
| Modos | Pesaje básico, pesaje por porcentaje, pesaje/porcentaje de verificación, pesaje dinámico, pesaje de llenado, conteo |
| Pantalla | 6 dígitos, 7 segmentos con luz LED, dígitos de 20 mm de alto |
| Indicador de verificación | 3 colores (rojo, verde, naranja), matriz de puntos 8x16 |
| Teclado | Teclas de 6 funciones + teclado capacitivo alfanumérico de 12 teclas |
| Seguimiento de auto cero | Apagado, 0,5 d, 1 d o 3 d |
| Tensión de excitación de las células de carga | 5VDC |
| Controlador de células de carga | Gasta 4 células de carga de 350 ohm |
| Sensibilidad de entrada de las células de carga | Hasta 3 mV/V |
| Tiempo de estabilización | Dentro de 2 segundos |
| Potencia | 100-240 VAC/ 50/60 Hz Fuente de alimentación universal, conectada por cable |
| Interfaz | Estándar RS232, Host USB Ethernet opcional, Wi-Fi/Bluetooth, 2º RS232/RS485/USB, salida analógica, 2 in/4out I/O Discreta |
| Dimensiones de envío | 300 x 265 x 135 mm 11,8 x 10,4 x 5,3 pulgadas |
| Dimensiones del producto (con soporte) | 11,4 x 9,3 x 3,1 pulg. / 290 x 235 x 80 mm |
| Peso neto aprox, | 3,2 kg / 7,0 lb |
| Peso de envío aprox. | 3,5 kg / 7,7 lb |
| Rango de temperatura de funcionamiento | 14°F a 104°F / -10°C a 40°C |





7.2 Tabla de geovalores

TABLA 7-1 GEOCÓDIGOS

| | | Elevation in meters | | | | | | | | | | | |
|----------|--------|---------------------|------|------|------|------|------|------|------|------|-------|-------|------|
| | | 0 | 325 | 650 | 975 | 1300 | 1625 | 1950 | 2275 | 2600 | 2925 | 3250 | 3575 |
| | | 325 | 650 | 975 | 1300 | 1625 | 1950 | 2275 | 2600 | 2925 | 3250 | 3575 | |
| | | Elevation in feet | | | | | | | | | | | |
| | | 0 | 1060 | 2130 | 3200 | 4260 | 5330 | 6400 | 7460 | 8530 | 9600 | 10660 | |
| | | 1060 | 2130 | 3200 | 4260 | 5330 | 6400 | 7460 | 8530 | 9600 | 10660 | 11730 | |
| Latitude | | GEO value | | | | | | | | | | | |
| 0°00' | 5°46' | 5 | 4 | 4 | 3 | 3 | 2 | 2 | 1 | 1 | 0 | 0 | |
| 5°46' | 9°52' | 5 | 5 | 4 | 4 | 3 | 3 | 2 | 2 | 1 | 1 | 0 | |
| 9°52' | 12°44' | 6 | 5 | 5 | 4 | 4 | 3 | 3 | 2 | 2 | 1 | 1 | |
| 12°44' | 15°06' | 6 | 6 | 5 | 5 | 4 | 4 | 3 | 3 | 2 | 2 | 1 | |
| 15°06' | 17°10' | 7 | 6 | 6 | 5 | 5 | 4 | 4 | 3 | 3 | 2 | 2 | |
| 17°10' | 19°02' | 7 | 7 | 6 | 6 | 5 | 5 | 4 | 4 | 3 | 3 | 2 | |
| 19°02' | 20°45' | 8 | 7 | 7 | 6 | 6 | 5 | 5 | 4 | 4 | 3 | 3 | |
| 20°45' | 22°22' | 8 | 8 | 7 | 7 | 6 | 6 | 5 | 5 | 4 | 4 | 3 | |
| 22°22' | 23°54' | 9 | 8 | 8 | 7 | 7 | 6 | 6 | 5 | 5 | 4 | 4 | |
| 23°54' | 25°21' | 9 | 9 | 8 | 8 | 7 | 7 | 6 | 6 | 5 | 5 | 4 | |
| 25°21' | 26°45' | 10 | 9 | 9 | 8 | 8 | 7 | 7 | 6 | 6 | 5 | 5 | |
| 26°45' | 28°06' | 10 | 10 | 9 | 9 | 8 | 8 | 7 | 7 | 6 | 6 | 5 | |
| 28°06' | 29°25' | 11 | 10 | 10 | 9 | 9 | 8 | 8 | 7 | 7 | 6 | 6 | |
| 29°25' | 30°41' | 11 | 11 | 10 | 10 | 9 | 9 | 8 | 8 | 7 | 7 | 6 | |
| 30°41' | 31°56' | 12 | 11 | 11 | 10 | 10 | 9 | 9 | 8 | 8 | 7 | 7 | |
| 31°56' | 33°09' | 12 | 12 | 11 | 11 | 10 | 10 | 9 | 9 | 8 | 8 | 7 | |
| 33°09' | 34°21' | 13 | 12 | 12 | 11 | 11 | 10 | 10 | 9 | 9 | 8 | 8 | |
| 34°21' | 35°31' | 13 | 13 | 12 | 12 | 11 | 11 | 10 | 10 | 9 | 9 | 8 | |
| 35°31' | 36°41' | 14 | 13 | 13 | 12 | 12 | 11 | 11 | 10 | 10 | 9 | 9 | |
| 36°41' | 37°50' | 14 | 14 | 13 | 13 | 12 | 12 | 11 | 11 | 10 | 10 | 9 | |
| 37°50' | 38°58' | 15 | 14 | 14 | 13 | 13 | 12 | 12 | 11 | 11 | 10 | 10 | |
| 38°58' | 40°05' | 15 | 15 | 14 | 14 | 13 | 13 | 12 | 12 | 11 | 11 | 10 | |
| 40°05' | 41°12' | 16 | 15 | 15 | 14 | 14 | 13 | 13 | 12 | 12 | 11 | 11 | |
| 41°12' | 42°19' | 16 | 16 | 15 | 15 | 14 | 14 | 13 | 13 | 12 | 12 | 11 | |
| 42°19' | 43°26' | 17 | 16 | 16 | 15 | 15 | 14 | 14 | 13 | 13 | 12 | 12 | |
| 43°26' | 44°32' | 17 | 17 | 16 | 16 | 15 | 15 | 14 | 14 | 13 | 13 | 12 | |
| 44°32' | 45°38' | 18 | 17 | 17 | 16 | 16 | 15 | 15 | 14 | 14 | 13 | 13 | |
| 45°38' | 46°45' | 18 | 18 | 17 | 17 | 16 | 16 | 15 | 15 | 14 | 14 | 13 | |
| 46°45' | 47°51' | 19 | 18 | 18 | 17 | 17 | 16 | 16 | 15 | 15 | 14 | 14 | |
| 47°51' | 48°58' | 19 | 19 | 18 | 18 | 17 | 17 | 16 | 16 | 15 | 15 | 14 | |
| 48°58' | 50°06' | 20 | 19 | 19 | 18 | 18 | 17 | 17 | 16 | 16 | 15 | 15 | |
| 50°06' | 51°13' | 20 | 20 | 19 | 19 | 18 | 18 | 17 | 17 | 16 | 16 | 15 | |
| 51°13' | 52°22' | 21 | 20 | 20 | 19 | 19 | 18 | 18 | 17 | 17 | 16 | 16 | |
| 52°22' | 53°31' | 21 | 21 | 20 | 20 | 19 | 19 | 18 | 18 | 17 | 17 | 16 | |
| 53°31' | 54°41' | 22 | 21 | 21 | 20 | 20 | 19 | 19 | 18 | 18 | 17 | 17 | |
| 54°41' | 55°52' | 22 | 22 | 21 | 21 | 20 | 20 | 19 | 19 | 18 | 18 | 17 | |
| 55°52' | 57°04' | 23 | 22 | 22 | 21 | 21 | 20 | 20 | 19 | 19 | 18 | 18 | |
| 57°04' | 58°17' | 23 | 23 | 22 | 22 | 21 | 21 | 20 | 20 | 19 | 19 | 18 | |
| 58°17' | 59°32' | 24 | 23 | 23 | 22 | 22 | 21 | 21 | 20 | 20 | 19 | 19 | |
| 59°32' | 60°49' | 24 | 24 | 23 | 23 | 22 | 22 | 21 | 21 | 20 | 20 | 19 | |
| 60°49' | 62°00' | 25 | 24 | 24 | 23 | 23 | 22 | 22 | 21 | 21 | 20 | 20 | |
| 62°00' | 63°30' | 25 | 25 | 24 | 24 | 23 | 23 | 22 | 22 | 21 | 21 | 20 | |
| 63°30' | 64°55' | 26 | 25 | 25 | 24 | 24 | 23 | 23 | 22 | 22 | 21 | 21 | |
| 64°55' | 66°24' | 26 | 26 | 25 | 25 | 24 | 24 | 23 | 23 | 22 | 22 | 21 | |
| 66°24' | 67°57' | 27 | 26 | 26 | 25 | 25 | 24 | 24 | 23 | 23 | 22 | 22 | |
| 67°57' | 69°35' | 27 | 27 | 26 | 26 | 25 | 25 | 24 | 24 | 23 | 23 | 22 | |
| 69°35' | 71°21' | 28 | 27 | 27 | 26 | 26 | 25 | 25 | 24 | 24 | 23 | 23 | |
| 71°21' | 73°16' | 28 | 28 | 27 | 27 | 26 | 26 | 25 | 25 | 24 | 24 | 23 | |
| 73°16' | 75°24' | 29 | 28 | 28 | 27 | 27 | 26 | 26 | 25 | 25 | 24 | 24 | |
| 75°24' | 77°52' | 29 | 29 | 28 | 28 | 27 | 27 | 26 | 26 | 25 | 25 | 24 | |
| 77°52' | 80°56' | 30 | 29 | 29 | 28 | 28 | 27 | 27 | 26 | 26 | 25 | 25 | |
| 80°56' | 85°45' | 30 | 30 | 29 | 29 | 28 | 28 | 27 | 27 | 26 | 26 | 25 | |
| 85°45' | 90°00' | 31 | 30 | 30 | 29 | 29 | 28 | 28 | 27 | 27 | 26 | 26 | |

8. CUMPLIMIENTO DE NORMATIVAS

El cumplimiento de las siguientes regulaciones se indica con su marca indicativa en el producto.

| Marca | Standard |
|---|---|
|  | Este producto cumple con las normas estandarizadas vigentes de las Directivas de la UE 2011/65/EU (RoHS), 2014/30/EU (EMC), 2014/35/EU (LVD) y 2014/31/EU (NAWI). La Declaración de Conformidad con la UE está disponible online en www.ohaus.com/ce . |
|  | Este producto cumple con la Directiva de la UE 2012/19/EU (WEEE) y 2006/66/EC (Baterías). Por favor, elimine o recicle este producto de acuerdo con las regulaciones locales en el punto de recogida correspondiente para equipos eléctricos y electrónicos. Para conocer las instrucciones de eliminación en Europa, diríjase a www.ohaus.com/weee . |
|  | EN 61326-1 |
|  | UL Est. N.º 61010-1 CAN/CSA-C22.2 N.º 61010-1 |

Declaración de cumplimiento con la ISED en Canadá:

Este aparato digital Clase A cumple con la normativa canadiense ICES-003.

Certificado ISO 9001

El sistema de gestión que controla la producción de este producto está certificado por la norma ISO 9001.

9. APÉNDICES

9.1 Apéndice A

Salida continua MT Estándar

Un carácter de checksum puede ser activado o desactivado con la salida continua. Los datos consisten en 17 o 18 bits, tal y como aparece en la el estándar de salida continua

Tabla 9-1

Los datos de pesaje no significativos y los dígitos de datos de tara se transmiten como espacios. El modo de salida continua proporciona compatibilidad con los productos de OHAUS que requieren datos de pesaje en tiempo real. la el estándar de salida continua

Tabla 9-1 muestra el formato para la el estándar de salida continua

Tabla 9-1: Formato de estándar de salida continua

| Carácter | Estado ² | | | | Peso indicado ³ | | | | | Peso de tara ⁴ | | | | | | | | |
|----------|---------------------|------|------|------|----------------------------|---|---|---|---|---------------------------|-----|----|----|----|----|-----|-----------------|------------------|
| | 1 | 2 | 3 | 4 | 5 | 6 | 7 | 8 | 9 | 10 | 11 | 12 | 13 | 14 | 15 | 16 | 17 | 18 |
| Datos | STX ¹ | SB-A | SB-B | SB-C | MSD | - | - | - | - | LSD | MSD | - | - | - | - | LSD | CR ⁵ | CHK ⁶ |

Salida continua, notas de formato

1. ASCII Comienzo del carácter del texto (02 hex), siempre transmitido.
2. Bytes de estado A, B y C. Consulte la tabla 5-2, la tabla 5-3 y la tabla 5-4 para conocer los detalles de la estructura.
3. Peso mostrado. Carga bruta o neta. Seis dígitos, sin punto o signo para los decimales. Los ceros a la izquierda sin valor son reemplazados por espacios.
4. Peso de tara. Seis dígitos de datos de peso de tara. Sin punto decimal en el campo.
5. Retorno de carro ASCII <CR> carácter (0D hex).
6. Checksum, transmitido solo si está activado en la configuración. Checksum se utiliza para detectar errores en la transmisión de datos. Checksum se define como el complemento de 2 de los siete bits de bajo orden de la suma binaria de todos los caracteres anteriores al carácter de checksum, incluyendo los caracteres <STX> y <CR>.

Las tablas 9-2, 9-3 y 9-4 detallan los bytes de estado para la salida continua estándar.

Tabla 9-2: Definiciones de bytes de estado, bit A

| Bits 2, 1, y 0 | | | |
|----------------|---|---|-----------------------------|
| 2 | 1 | 0 | Ubicación del punto decimal |
| 0 | 0 | 0 | XXXXX00 |
| 0 | 0 | 1 | XXXXX0 |
| 0 | 1 | 0 | XXXXXX |
| 0 | 1 | 1 | XXXXX.X |
| 1 | 0 | 0 | XXXX.XX |
| 1 | 0 | 1 | XXX.XXX |
| 1 | 1 | 0 | XX.XXXX |
| 1 | 1 | 1 | X.XXXXX |
| Bits 4 y 3 | | | |
| 4 | | 3 | Código de montaje |
| 0 | | 1 | X1 |
| 1 | | 0 | X2 |
| 1 | | 1 | X5 |
| Bit 5 | | | Siempre = 1 |
| Bit 6 | | | Siempre = 0 |

Tabla 9-3: Definiciones de bytes de estado, bit B

| Bits de estado | Function |
|----------------|--|
| Bit 0 | Bruto = 0, Neto = 1 |
| Bit 1 | Signo, Positivo = 0, Negativo = 1 |
| Bit 2 | Fuera de rango = 1 (por encima de la capacidad o por debajo de cero) |
| Bit 3 | Movimiento = 1, estable = 0 |
| Bit 4 | lb = 0, kg = 1 (ver también byte de estado C, bits 0, 1, 2) |
| Bit 5 | Siempre = 1 |
| Bit 6 | Cero no capturado después del encendido = 1 |

Tabla 9-4: Definiciones de bytes de estado, bit C

| Bits 2, 1, y 0 | | | Descripción del peso |
|----------------|---|---|---|
| 2 | 1 | 0 | |
| 0 | 0 | 0 | lb o kg, seleccionado por byte de estado B, bit 4 |
| 0 | 0 | 1 | gramos (g) |
| 0 | 1 | 0 | toneladas métricas (t) |
| 0 | 1 | 1 | onzas (oz) |
| 1 | 0 | 0 | sin usar |
| 1 | 0 | 1 | sin usar |
| 1 | 1 | 1 | toneladas (ton) |
| 1 | 1 | 1 | sin unidades |
| Bit 3 | | | Solicitud de impresión = 1 |
| Bit 4 | | | Expandir datos x 10 = 1, Normal = 0 |
| Bit 5 | | | Siempre = 1 |
| Bit 6 | | | Siempre = 0 |

9.2 Apéndice V

Comandos MT-SICS

| | Comando | Funcion |
|---------|---------------------|---|
| NIVEL 0 | @ | Reiniciar la báscula |
| | I0 | Consulta de todos los comandos SICS disponibles |
| | I1 | Consulta del nivel SICS y de las versiones SICS |
| | I2 | Consulta de los datos de la báscula |
| | I3 | Consulta de la versión del software de la báscula |
| | I4 | Consulta del número de serie |
| | S | Enviar valor de peso estable |
| | SI | Enviar valor de peso inmediatamente |
| | SIR | Enviar valor de peso repetidamente |
| | Z | Configurar a cero la balanza |
| ZI | Cero inmediatamente | |
| NIVEL 1 | D | Escribir texto en la pantalla |
| | DW | Pantalla de peso |
| | SR | Enviar y repetir valor de peso estable |
| | T | Tara |
| | TA | Valor de tara |
| | TAC | Borrar tara |
| | TI | Tara inmediata |

| | Comando | Funcion |
|---------|---------|---|
| NIVEL 2 | C2 | Calibrar con el peso de calibración externo |
| | C3 | Calibrar con el peso de calibración interno |
| | I10 | Consultar o configurar el ID de la balanza |
| | I11 | Consulta del tipo de balanza |
| | P100 | Imprimir en la impresora |
| | P101 | Imprimir valor de peso estable |
| | P102 | Imprimir valor de peso actual inmediatamente |
| | SIRU | Enviar valor de peso en la unidad actual inmediatamente y repetir |
| | SIU | Enviar valor de peso en la unidad actual inmediatamente |
| | SNR | Enviar valor de peso estable y repetir después de cada cambio de peso |
| | SNRU | Enviar valor de peso estable en la unidad actual y repetir después de cada cambio de peso |
| | SRU | Enviar valor de peso en la unidad actual y repetir |
| | ST | Después de presionar la tecla de transferencia, enviar el valor de peso estable |
| | SU | Enviar valor de peso estable en la unidad actual |
| NIVEL 3 | M01 | Modo de pesaje |
| | M02 | Configuración de estabilidad |
| | M03 | Función de autocero |
| | M19 | Enviar peso de calibración |
| | M21 | Consultar/establecer unidad de pesaje |
| | PRN | Imprimir en todas las interfaces de impresión |
| | RST | Reiniciar |
| | SFIR | Enviar valor del peso inmediatamente y repetir rápidamente |
| | SIH | Enviar valor del peso inmediatamente en alta resolución |
| | SWU | Cambiar unidad de peso |
| | SX | Enviar registro de datos estables |
| | SXI | Enviar registro de datos inmediatamente |
| | SXIR | Enviar registro de datos inmediatamente y repetir |
| | U | Cambiar unidad de peso |

Table des matières

| | | |
|-----------|--|-----------|
| 1. | INTRODUCTION | 3 |
| 1.1. | MESURES DE SECURITE | 3 |
| 1.2. | UTILISATION PREVUE..... | 3 |
| 1.3. | VUE D'ENSEMBLE DES PIECES ET COMMANDES | 4 |
| 1.4. | CARTE MERE | 5 |
| 1.5. | FONCTIONS DE COMMANDES..... | 6 |
| 2. | INSTALLATION | 9 |
| 2.1 | DEBALLAGE..... | 9 |
| 2.2 | CONNEXIONS EXTERNES..... | 9 |
| 2.2.1 | Base de balance avec connecteur EasyConnect™ | 9 |
| 2.2.2 | Alimentation sur batterie i-DT61PW | 9 |
| 2.2.3 | Alimentation secteur i-DT61XWE | 9 |
| 2.3 | CONNEXIONS INTERNES | 9 |
| 2.3.1 | Ouverture du boîtier..... | 9 |
| 2.3.2 | Base de balance sans connecteur EasyConnect™ | 11 |
| 2.3.3 | Interface de communication et i-DT61PW | 14 |
| 2.3.4 | Câble d'interface RS232 et i-DT 61XWE | 15 |
| 2.4 | SUPPORT DE MONTAGE | 15 |
| 3. | FONCTIONNEMENT..... | 16 |
| 3.1 | ACTIVATION / DESACTIVATION DE LA BALANCE | 16 |
| 3.2 | MODE DE PESEE..... | 16 |
| 3.2.1 | Entrez dans le mode et commencez à peser | 16 |
| 3.2.2 | Accumulation et statistiques..... | 16 |
| 3.2.3 | Vérification..... | 17 |
| 3.2.4 | Paramètres de l'application | 18 |
| 3.3 | MODE COMPTAGE..... | 19 |
| 3.3.1 | Accédez au mode | 19 |
| 3.3.2 | Mettre en place un APW | 19 |
| 3.3.3 | Commencer à compter..... | 19 |
| 3.3.4 | Paramètres de l'application | 19 |
| 3.4 | MODE POURCENTAGE | 20 |
| 3.4.1 | Accédez au mode | 20 |
| 3.4.2 | Établir un poids de référence..... | 20 |
| 3.4.3 | Démarrer la pesée en pourcentage..... | 20 |
| 3.4.4 | Paramètres de l'application | 20 |
| 3.5 | MODE DYNAMIQUE | 21 |
| 3.5.1 | Accédez au mode | 21 |
| 3.5.2 | Démarrer le pesage dynamique | 21 |
| 3.5.3 | Paramètres de l'application | 21 |
| 3.6 | MODE DE REMPLISSAGE | 22 |
| 3.6.1 | Accédez au mode | 22 |
| 3.6.2 | Commencer le remplissage | 22 |
| 3.6.3 | Reprendre et suspendre le remplissage | 22 |
| 3.6.4 | Affichage de l'écran à matrice de points..... | 22 |
| 3.6.5 | Paramètres de l'application | 23 |
| 4. | RÉGLAGES DES MENUS | 24 |
| 4.1 | NAVIGATION DANS LES MENUS | 24 |
| 4.1.1 | Menu utilisateur..... | 24 |
| 4.1.2 | Navigation par touches..... | 25 |
| 4.2 | MENU D'ÉTALONNAGE..... | 26 |
| 4.2.1 | Calibrage initial | 26 |
| 4.2.2 | Étalonnage du zéro [ZFR] | 26 |
| 4.2.3 | Étalonnage de la portée [SPR]..... | 26 |
| 4.2.4 | Étalonnage de linéarité [L #]..... | 27 |
| 4.2.5 | Réglage du code GEO [GEO]..... | 27 |
| 4.2.6 | Test d'étalonnage [L. 454]..... | 28 |

| | | |
|-----------|---|-----------|
| 4.2.7 | <i>Fin du calibrage [End]</i> | 28 |
| 4.3 | MENU DES PARAMETRES | 29 |
| 4.4 | MENU D’AFFICHAGE | 33 |
| 4.5 | MENU DE L’UNITE | 35 |
| 4.6 | MENU GLP / GMP | 35 |
| 4.7 | COMMUNICATION | 36 |
| 4.7.1 | <i>Menu RS232</i> | 36 |
| 4.7.2 | <i>Menu d’impression</i> | 38 |
| 4.7.3 | <i>Configuration RS485</i> | 41 |
| 4.7.4 | <i>Configuration Ethernet</i> | 41 |
| 4.7.5 | <i>Configuration analogique</i> | 41 |
| 4.8 | MEMOIRE..... | 41 |
| 4.8.1 | <i>Menu mémoire (pour le modèle i-DT61PW)</i> | 41 |
| 4.8.2 | <i>Mémoire USB (pour le modèle i-DT61XWE)</i> | 41 |
| 4.8.3 | <i>Mémoire Alibi (pour le modèle i-DT61XWE)</i> | 42 |
| 4.9 | E/S DISCRETE (POUR LE MODELE I-DT61XWE) | 47 |
| 4.9.1 | <i>Type d’E/S</i> | 47 |
| 4.9.2 | <i>Entrée</i> | 48 |
| 4.9.3 | <i>Sortie</i> | 48 |
| 4.10 | CONFIGURATION DES TOUCHES DE VERROUILLAGE | 48 |
| 4.11 | BIBLIOTHEQUE (POUR LE MODELE I-DT61XWE)..... | 49 |
| 4.12 | UTILISATEUR (POUR LE MODELE I-DT61XWE) | 51 |
| 4.13 | USB (POUR LE MODELE I-DT61XWE) | 53 |
| 4.13.1 | <i>Clé USB</i> | 53 |
| 4.13.2 | <i>RFID</i> | 53 |
| 4.13.3 | <i>Code-barres</i> | 54 |
| 4.13.4 | <i>Clavier</i> | 54 |
| 4.13.5 | <i>Dongle Wi-Fi / Bluetooth (en option)</i> | 54 |
| 5. | CERTIFICATION POUR USAGE COMMERCIAL | 57 |
| 5.1 | REGLAGES | 57 |
| 5.2 | VERIFICATION | 57 |
| 5.3 | SCELLEMENT | 57 |
| 6. | ENTRETIEN | 59 |
| 6.1 | NETTOYAGE | 59 |
| 6.1.1 | NETTOYAGE DU MODELE I-DT61PW..... | 59 |
| 6.1.2 | NETTOYAGE DU MODELE I-DT61XWE..... | 59 |
| 6.2 | DEPANNAGE | 60 |
| 6.3 | INFORMATIONS SUR LE SERVICE..... | 61 |
| 7. | DONNÉES TECHNIQUES | 61 |
| 7.1 | SPECIFICATIONS | 61 |
| 7.2 | TABLEAU DES VALEURS GEOGRAPHIQUES | 64 |
| 8. | CONFORMITÉ | 65 |
| 9. | ANNEXES | 66 |
| 9.1 | ANNEXE A | 66 |
| 9.2 | ANNEXE B | 68 |

1. INTRODUCTION

Ce manuel contient les consignes d'installation, utilisation et de maintenance des indicateurs i-DT61PW et i-DT61XWE. Veuillez lire entièrement ce manuel avant l'installation et l'utilisation.

1.1. Mesures de sécurité

Définition des avertissements et symboles

Les consignes de sécurité sont signalées par des mots indicateurs et des symboles d'avertissement. Ceux-ci indiquent des problèmes liés à la sécurité et des avertissements. Le non-respect des consignes de sécurité peut entraîner des blessures, dommages à l'appareil, dysfonctionnements et faux résultats.

| | |
|---------------|---|
| AVERTISSEMENT | Indique une situation dangereuse à risque moyen, pouvant entraîner des blessures graves ou la mort si la situation n'est pas évitée. |
| MISE EN GARDE | Indique une situation dangereuse à faible risque, entraînant des dommages à l'appareil ou une perte de données, ou des blessures mineures ou moyennes si la situation n'est pas évitée. |
| ATTENTION | Indique des informations importantes concernant le produit. Peut endommager l'appareil. |
| REMARQUE | Indique des informations utiles sur le produit. |

Symboles d'avertissement



Risque général



Risque d'explosion



Risque de choc électrique.

Mesures de sécurité



MISE EN GARDE : Lisez tous les avertissements de sécurité avant d'installer, d'effectuer des connexions ou de réparer cet équipement. Le non-respect de ces avertissements peut entraîner des blessures corporelles et/ou des dommages matériels. Conservez toutes les instructions pour référence future.

- Avant de mettre sous tension, vérifiez que la plage de tension d'entrée et le type de fiche de l'adaptateur secteur sont compatibles avec l'alimentation secteur.
- Évitez de placer l'équipement de telle sorte qu'il soit difficile d'atteindre la connexion électrique.
- Connectez le cordon d'alimentation uniquement à une prise électrique compatible mise à la terre.
- Assurez-vous que le cordon d'alimentation ne constitue pas un obstacle ou un risque de trébuchement potentiel.
- Faites fonctionner l'équipement uniquement dans les conditions ambiantes indiquées dans ces instructions.
- L'équipement est destiné à une utilisation en intérieur uniquement.
- N'utilisez pas l'équipement dans des environnements dangereux ou instables.
- Ne placez pas l'équipement à l'envers sur la plate-forme.
- Utilisez uniquement des accessoires et périphériques approuvés.
- Débranchez l'équipement de l'alimentation électrique lors du nettoyage.
- L'entretien ne doit être effectué que par un personnel autorisé.



AVERTISSEMENT : Ne travaillez jamais dans un environnement qui présente des risques d'explosion ! Le boîtier de l'équipement n'est pas étanche aux gaz. (Risque d'explosion dû à la formation d'étincelles, corrosion causée par la pénétration de gaz).



AVERTISSEMENT : Des risques de choc électrique existent à l'intérieur du boîtier. Le boîtier ne doit être ouvert que par un personnel autorisé et qualifié. Retirez toutes les connexions électriques de l'unité avant de l'ouvrir.

1.2. Utilisation prévue

Cet instrument est destiné à être utilisé dans l'industrie légère. Il ne doit être utilisé que pour mesurer les paramètres décrits dans ce mode d'emploi. Tout autre type d'utilisation et de fonctionnement au-delà des limites des spécifications techniques sans le consentement écrit de OHAUS, est considéré comme non prévu. Cet instrument est conforme aux normes actuelles de l'industrie et aux réglementations de sécurité reconnues. Cependant, il peut constituer un danger pendant l'utilisation. Si l'instrument n'est pas utilisé conformément à ce mode d'emploi, son niveau de protection prévu peut être réduit.

1.3. Vue d'ensemble des pièces et commandes

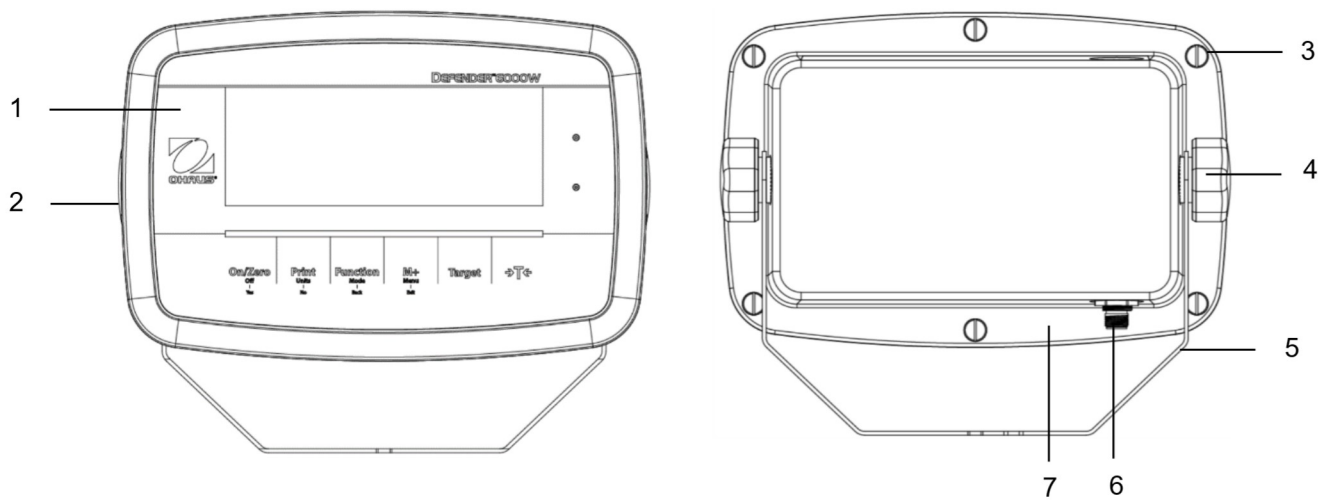


Figure 1-1 Indicateur i-DT61PW

| Article | Description |
|---------|---------------------------------|
| 1 | Panneau de commande |
| 2 | Boîtier avant |
| 3 | Vis (6) |
| 4 | Molettes de fixation (2) |
| 5 | Support de montage |
| 6 | Connecteur de cellule de charge |
| 7 | Boîtier arrière |

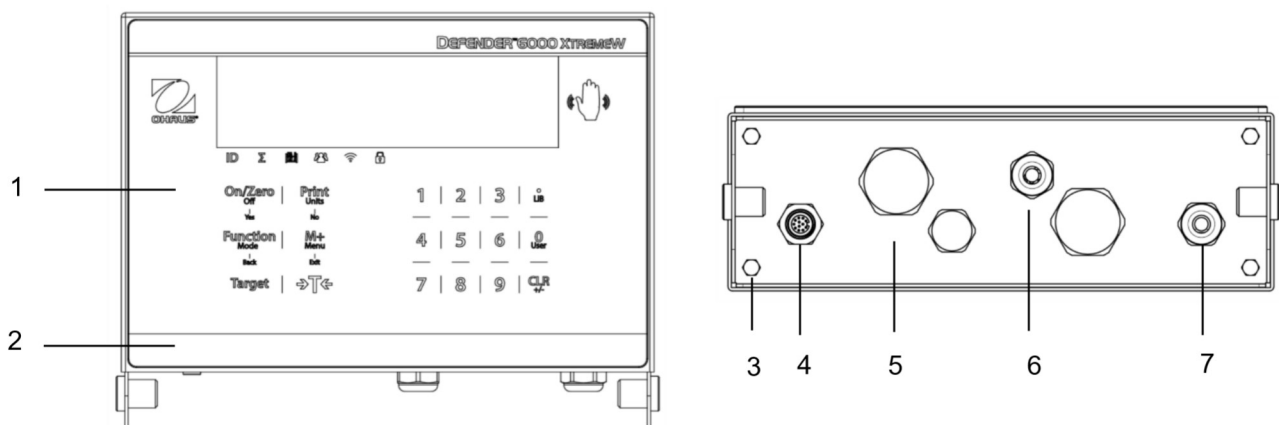


Figure 1-2 Indicateur i-DT61XWE

| Article | Description |
|---------|---------------------------------|
| 1 | Panneau de commande |
| 2 | Boîtier avant |
| 3 | Vis (4) |
| 4 | Connecteur de cellule de charge |
| 5 | Boîtier arrière |
| 6 | Passe-câble pour l'option |
| 7 | Cordon d'alimentation |

1.4. Carte mère

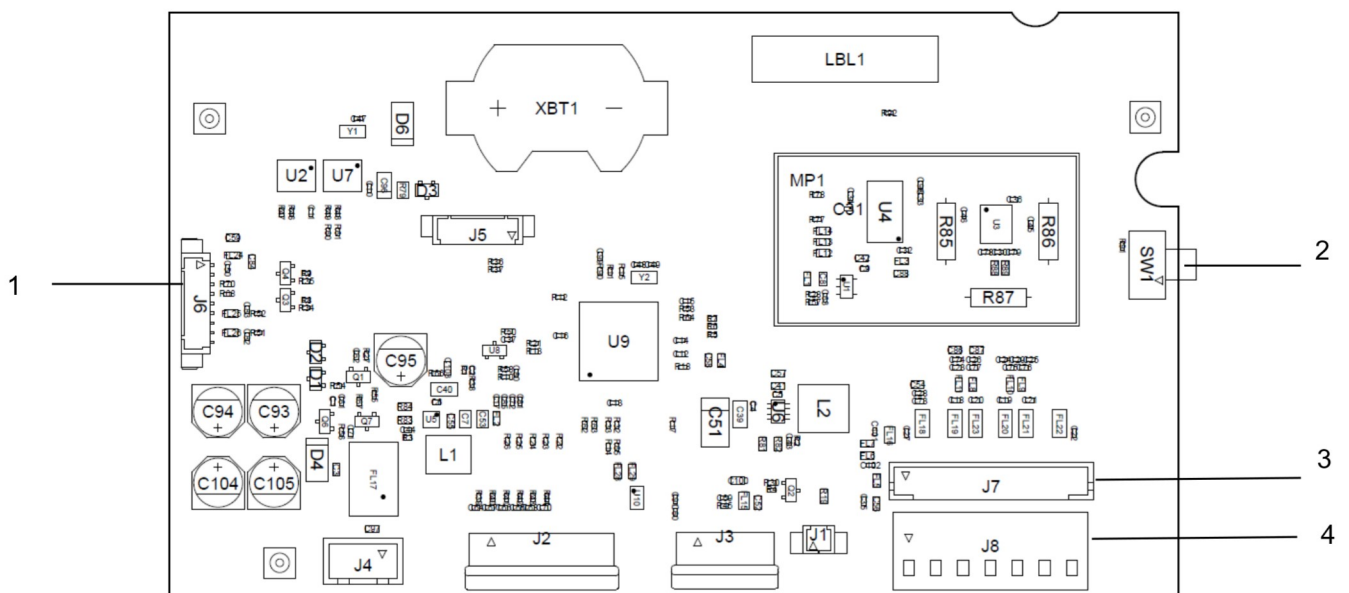


Figure 1-3 i-DT61PW Carte mère

| Article | Description |
|---------|--------------------------------------|
| 1 | Connecteur de communication IR (J6) |
| 2 | Commutateur de sécurité (SW1) |
| 3 | Connecteur de cellule de charge (J7) |
| 4 | Bornier de cellule de charge (J8) |

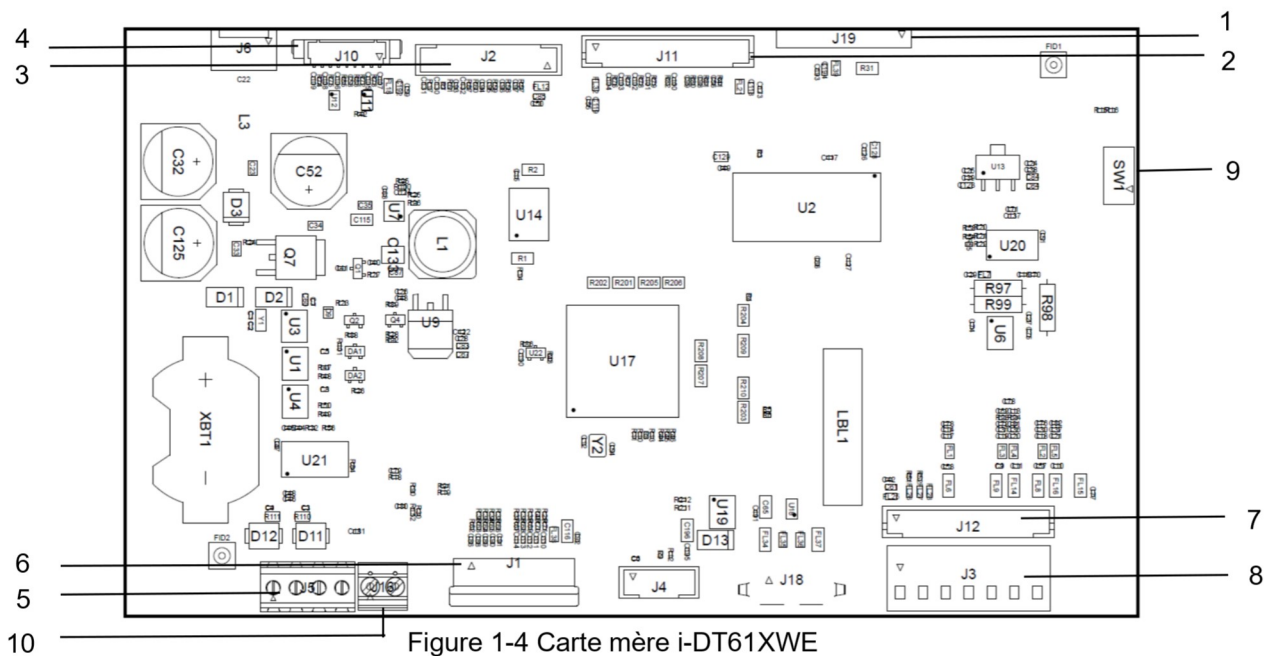


Figure 1-4 Carte mère i-DT61XWE

| Article | Description | Article | Description |
|---------|---|---------|---|
| 1 | Connecteur de la carte mémoire Alibi (J19) | 6 | Connecteur clavier (J1) |
| 2 | Connecteur de périphérique discret E/S/analogique/RS232-RS485-USB (J11) | 7 | Connecteur de cellule de charge (J12) |
| 3 | Connecteur de tableau d'affichage (J2) | 8 | Bornier de cellule de charge (J3) |
| 4 | Connecteur Ethernet (J10) | 9 | Connecteur du commutateur de sécurité (SW1) |
| 5 | Connecteur RS232 (J5) | 10 | Entrée discrète0 (J16) |

1.5. Fonctions de commandes



Panneau de commande i-DT61PW



Panneau de commande i-DT61XWE

| Touche | On/Zero Off Yes | Print Units No | Function Mode Back | M+ Menu Exit | Target | →T← |
|---------------------------------------|---|---|--|---|---|--|
| Fonction primaire (courte pression) | On/Zéro Si l'indicateur est Off, appuyez pour allumer ; si l'indicateur est On, appuyez pour régler le point zéro. | Print Envoie la valeur actuelle aux ports COM sélectionnés si AUTOPRINT est désactivé. | Function Lance un mode d'application . | M+ Accumule le poids ou affiche les informations accumulées sans charge sur le plateau. | Target Définit la valeur limite inférieure/supérieure et du contrôle. | Tare Entre/efface une valeur de tare ; lorsque les données d'accumulation sont affichées, appuyez pour les effacer. |
| Fonction secondaire (longue pression) | Off Si l'indicateur est On, appuyez pour l'éteindre. | Units Change l'unité de pesée. | Mode Permet de changer le mode d'application . | Menu Ouvre le menu utilisateur. | Target Affiche la valeur limite inférieure/supérieure et du contrôle. | Tare Affiche le poids de tare. |
| Fonction du menu (courte pression) | Yes Accepte le réglage affiché à l'écran. | No Passe au menu ou à l'élément de menu suivant. Rejette le réglage affiché à l'écran et passe au prochain réglage disponible. | Back Revient à l'élément de menu précédent. | Exit Quitte le menu utilisateur. Annule l'étalonnage en cours. | | |

Remarques :

- Courte pression : appuyez moins d'une seconde.
- Longue pression : appuyez et maintenez enfoncé pendant plus de 2 secondes.

Clavier numérique (i-DT61XWE)

| | | | | |
|---------------------------------------|---|--|--|---|
| | | | | |
| Fonction primaire (courte pression) | 1-9 Entre des valeurs numériques. | . | 0 Entre une valeur numérique. | CLR Efface la valeur saisie. Efface un APW existant. Lorsque les données d'accumulation sont affichées, appuyez pour les effacer. |
| Fonction secondaire (longue pression) | | LIB Recherche les éléments de la bibliothèque à l'aide des touches numériques. | User Recherche les utilisateurs à l'aide des touches numériques. | +/- Bascule entre la valeur positive et négative. |

Remarque : pour le modèle i-DT61XWE, appuyez simultanément sur les touches et pendant trois secondes pour verrouiller toutes les touches. Répétez la même procédure pour déverrouiller toutes les touches. Lorsque toutes les touches sont verrouillées, l'icône s'allume.

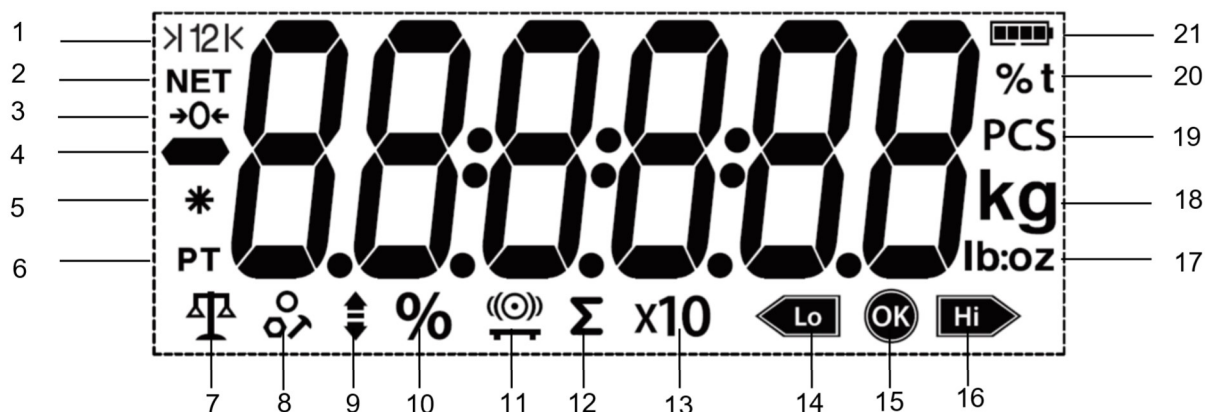


Figure 1-5 Écran i-DT61PW

| Article | Description | Article | Description |
|---------|---|---------|---|
| 1 | Symbole de plage (non utilisé) | 12 | Symbole d'accumulation |
| 2 | Symbole de NET | 13 | Symbole d'extension de résolution (non utilisé) |
| 3 | Symbole du poids à zéro | 14 | Symbole inférieur à la condition |
| 4 | Symbole négatif | 15 | Symbole acceptable |
| 5 | Symbole de poids stable | 16 | Symbole supérieur à la condition |
| 6 | Tare pré-réglée, symboles de tare | 17 | Livre, once, Livre : symboles de l'once |
| 7 | Symbole du mode de pesée | 18 | Symboles de kilogramme, gramme |
| 8 | Symbole du mode de comptage | 19 | Symbole des pièces |
| 9 | Symbole du mode contrôle du poids | 20 | Symboles de pourcentage, tonne (non utilisés) |
| 10 | Symbole du mode de pesée en pourcentage | 21 | Symbole de la batterie |
| 11 | Symbole du mode de pesage dynamique | | |



Figure 1-6 Écran i-DT61XWE

| Article | Description | Article | Description |
|---------|-----------------------------------|---------|---|
| 1 | Symbole de NET | 11 | Symbole de Wi-Fi |
| 2 | Symbole du poids à zéro | 12 | Symbole de verrouillage |
| 3 | Symbole négatif | 13 | Symbole de l'état dynamique |
| 4 | Symbole de poids stable | 14 | Symbole de batterie (non utilisé) |
| 5 | Tare pré-réglée, symboles de tare | 15 | Livre, once, Livre : symboles de l'once |
| 6 | Symboles de pointeur | 16 | Symbole de pourcentage |
| 7 | Symbole d'identification | 17 | Symboles de kilogramme, gramme |
| 8 | Symbole d'accumulation | 18 | Symboles des pièces, de la tonne (non utilisés) |
| 9 | Symbole de la bibliothèque | 19 | Symbole de la portée (non utilisé) |
| 10 | Symbole de l'utilisateur | | |

2. INSTALLATION

2.1 Déballage

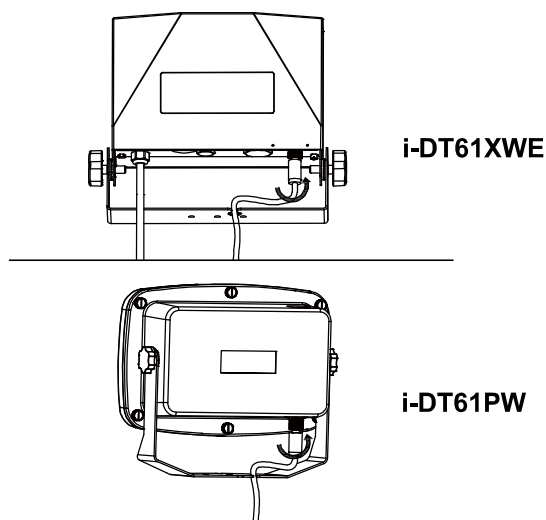
Déballez les éléments suivants :

- Indicateur i-DT61PW ou i-DT61XWE
- 6 batteries de type D (i-DT61PW uniquement)
- Support de montage
- Molettes de fixation (2)
- Guide d'installation rapide
- Manuel d'instructions

2.2 Connexions externes

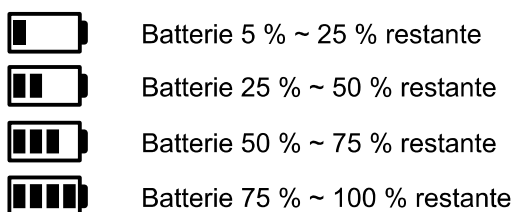
2.2.1 Base de balance avec connecteur EasyConnect™

Pour connecter la base de balance OHAUS équipée du connecteur EasyConnect™ à l'indicateur, enfichez le connecteur de la base sur le connecteur de cellule de charge externe situé sur la partie basse de l'indicateur. Tournez ensuite la bague de verrouillage du connecteur de base dans le sens des aiguilles d'une montre. Consultez l'illustration suivante pour plus de détails.



2.2.2 Alimentation sur batterie i-DT61PW

Utilisez 6 batteries de type D. Pendant le fonctionnement de la batterie, le symbole de celle-ci indique son état.



2.2.3 Alimentation secteur i-DT61XWE

Branchez la fiche secteur sur une prise électrique.

2.3 Connexions internes

Certaines connexions nécessitent l'ouverture du boîtier.

2.3.1 Ouverture du boîtier



MISE EN GARDE : RISQUE DE CHOC ÉLECTRIQUE. ENLEVEZ TOUTES LES CONNEXIONS D'ALIMENTATION DE L'INDICATEUR AVANT DE RÉPARER OU DE FAIRE DES RACCORDS INTERNES. LE BOÎTIER NE DOIT ÊTRE OUVERT QUE PAR UN AGENT AUTORISÉ ET QUALIFIÉ, TEL QU'UN TECHNICIEN ÉLECTRIQUE.

i-DT61PW

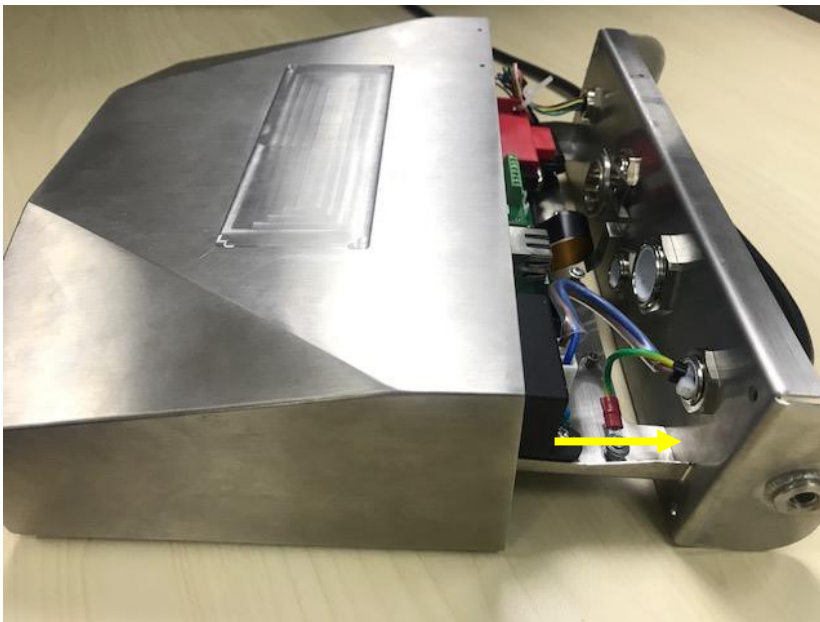
1. Retirez les six vis cruciformes du boîtier arrière.
2. Retirez le boîtier avant. Veillez à ne pas déconnecter les connexions internes.
3. Une fois toutes les connexions effectuées, remettez le boîtier avant en place.

i-DT61XWE

1. Retirez les quatre vis à tête hexagonale du boîtier du bas.



2. Ouvrez le boîtier en tirant délicatement le boîtier du bas vers l'arrière.



3. Une fois tous les raccords effectués, remettez boîtier du bas en place.

Remarque : Les vis doivent être serrées à un couple de 2,5 N • m pour assurer l'étanchéité.

2.3.2 Base de balance sans connecteur EasyConnect™

Pour connecter des bases (qui n'ont pas de connecteur **EasyConnect™**) à un i-DT61PW ou un i-DT61XWE, un kit de presse-étoupe de cellule de charge (P / N 30379716) est disponible comme accessoire.

Retrait du connecteur et faisceau de câbles préinstallés de la cellule de charge

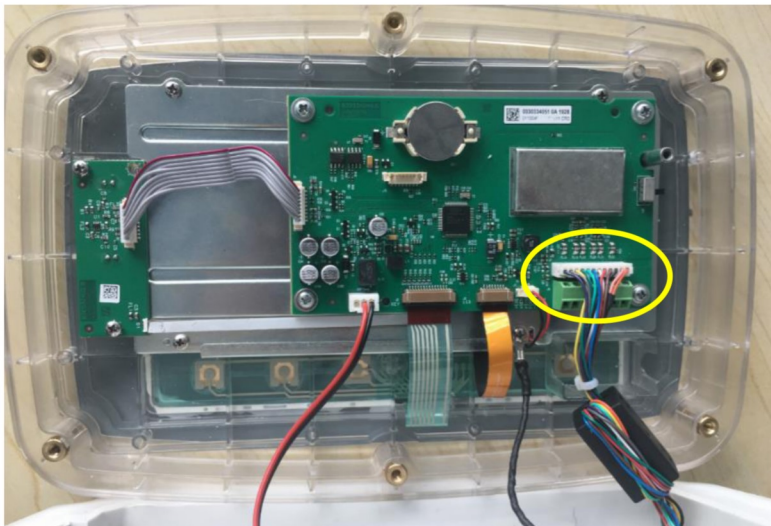
Avant d'effectuer les raccords, retirez le connecteur et le faisceau de câbles préinstallés de la cellule de charge en suivant les étapes ci-dessous.

i-DT61PW

1. Retirez les 6 vis cruciformes et ouvrez le boîtier arrière en tirant avec précaution le boîtier avant vers l'avant.
2. Débranchez le connecteur blanc de la cellule de charge du boîtier principal (deux cercles).



3. Ouvrez le boîtier avant en retirant les 12 vis cruciformes.
4. Débranchez les connecteurs blancs de la cellule de charge de la carte PCBA principale.

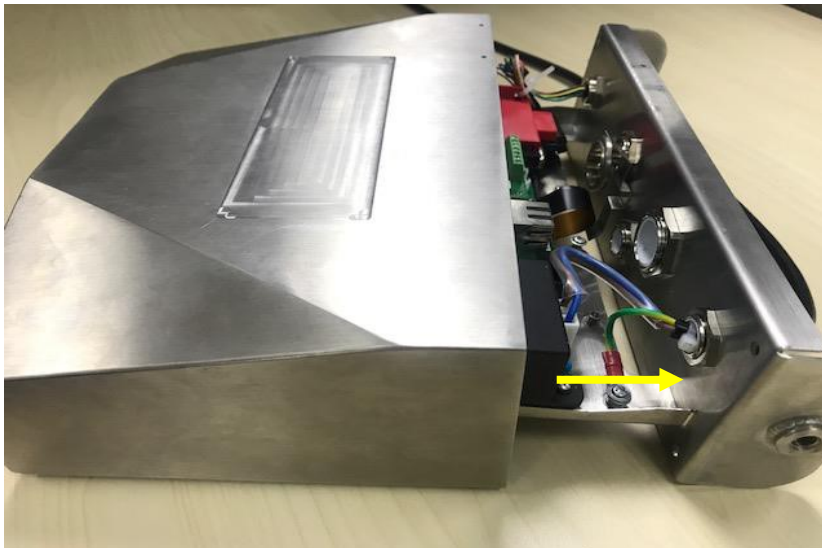


i-DT61XWE

1. Placez l'indicateur vers le bas et dévissez les vis marquées ci-dessous.



2. Tirez le bas de l'indicateur.



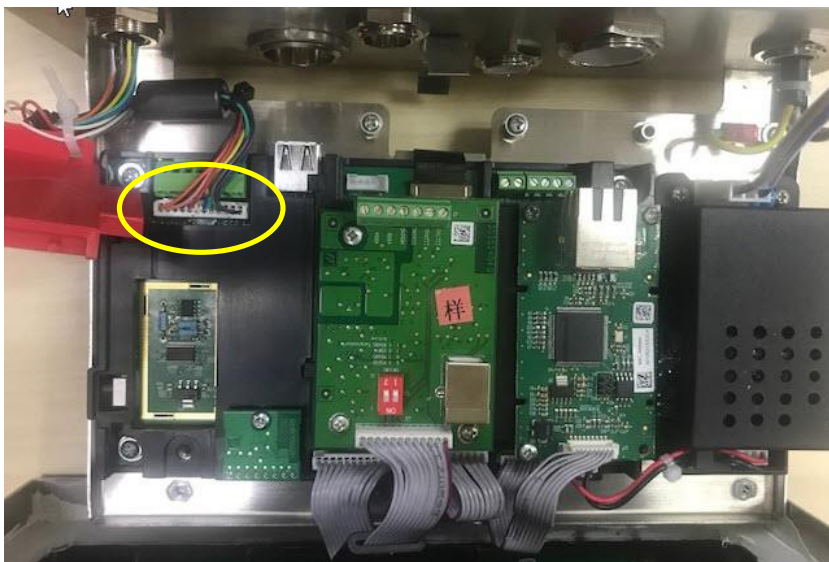
3. Utilisez un tournevis pour dévisser le couvercle étanche.



4. Tirez légèrement la partie saillante du couvercle étanche vers l'avant pour le libérer.



5. Retirez le couvercle étanche, puis débranchez le connecteur blanc de la cellule de charge.



Installation du câble et des connecteurs de la cellule de charge

Afin de respecter certains plafonds d'émission de parasites électriques et de protéger les i-DT61PW et i-DT61XWE des influences extérieures, il est nécessaire d'installer un noyau en ferrite sur le câble de la cellule de charge connecté à l'indicateur. Le noyau en ferrite est livré avec l'indicateur.

Pour installer la ferrite, il suffit de réaliser une boucle avec le câble (ou les fils), en passant par son centre, autour de celle-ci. Voir la figure 2-1.



Figure 2-1

Câblage de la carte principale

Une fois le boîtier i-DT61PW ou i-DT61XWE ouvert, les raccords peuvent être effectués aux bornes de la carte principale, comme illustré à la Figure 2-2.

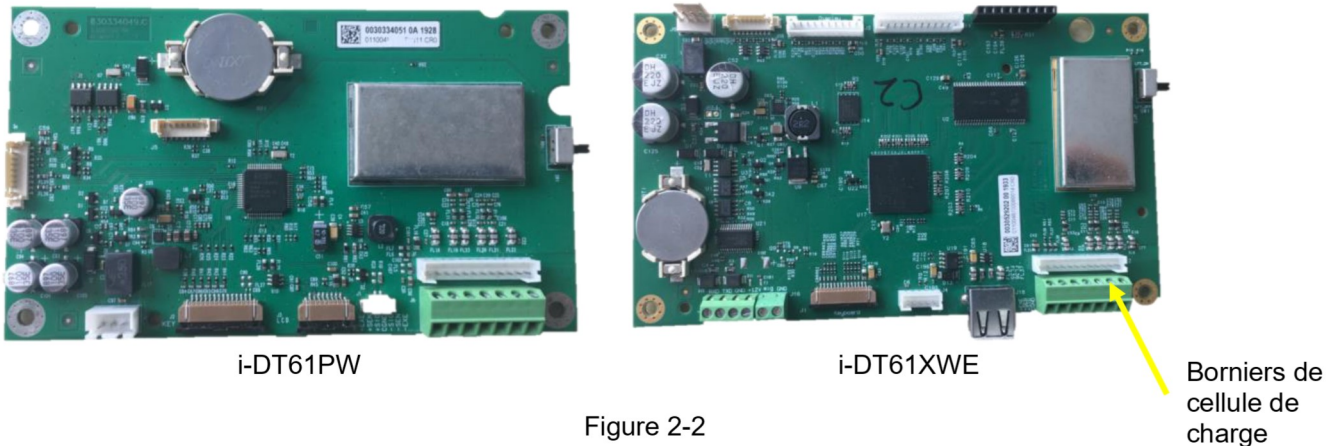
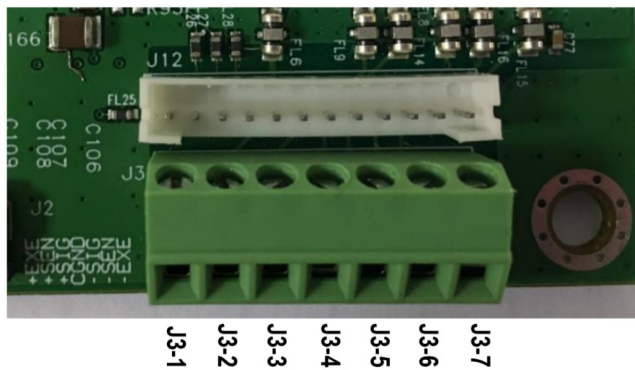


Figure 2-2

Connexions des fils

Les indicateurs i-DT61PW et i-DT61XWE sont conçus pour prendre en charge les cellules de charge 2 mV / V et 3 mV / V à partir du même circuit. Aucune action n'est nécessaire.

La Figure 2-3 montre les bornes pour la connexion des cellules de charge analogiques. Notez que lorsque vous utilisez des cellules de charge à quatre fils, des cavaliers doivent être placés entre les bornes +EXC et +SEN et entre les bornes -EXC et -SEN.



| Broche | Connexion |
|--------|-----------|
| J3-1 | +EXC |
| J3-2 | +SEN |
| J3-3 | +SIN |
| J3-4 | GND |
| J3-5 | -SIN |
| J3-6 | -SEN |
| J3-7 | -EXC |

Figure 2-3 Connexions

Une fois le câblage terminé, remplacez les vis du boîtier de l'indicateur. Assurez-vous que le presse-étoupe est correctement serré.

2.3.3 Interface de communication et i-DT61PW

Branchez le câble de communication IR (P / N : 30572910) sur le panneau avant de l'indicateur. Assurez-vous que les deux trous du module correspondent aux deux connexions situées sur le panneau avant.

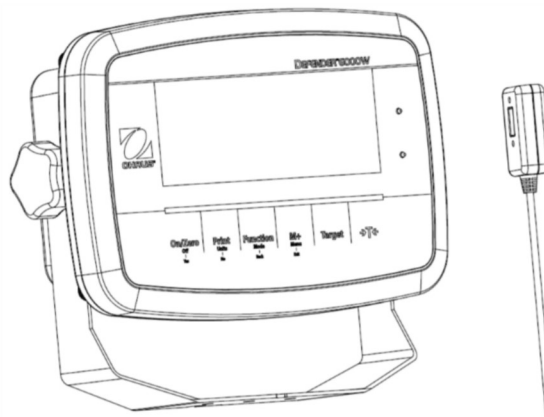


Figure 2-4

2.3.4 Câble d'interface RS232 et i-DT 61XWE

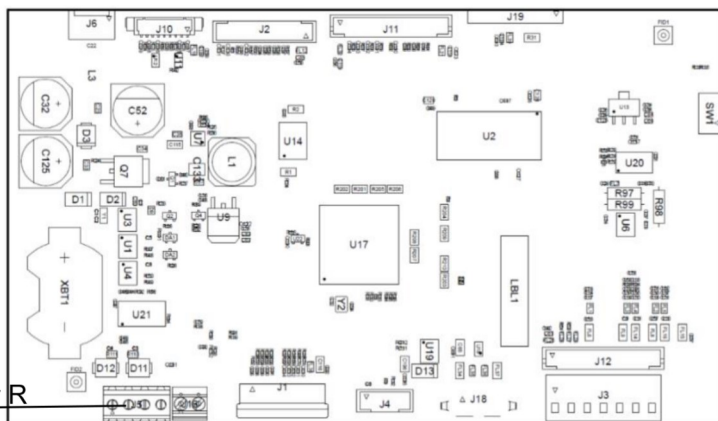
Faites passer le câble RS232 en option dans le presse-étoupe et fixez-le au connecteur RS232 de la carte mère. Serrez le presse-étoupe pour maintenir l'étanchéité. Veuillez vous référer à la Figure 2-7 pour la connexion des fils RXD TXD et GND.

Remarque :

- Veuillez vous référer à la section Ouverture du boîtier pour savoir comment ouvrir le boîtier de l'indicateur.
- Pour plus de détails sur la fonction Entrée0 discrète, veuillez vous reporter à la section **E/S discrète (pour i-DT61XWE)** pour plus de détails.



Figure 2-5
Presse-étoupe pour l'option



Connecteur RS232

Figure 2-6 Connecteur RS232 sur la carte mère

Entrée discrète0

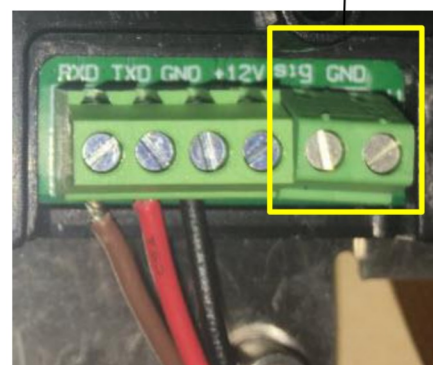


Figure 2-7
Connecteur RS232

2.4 Support de montage

Fixez le support à un mur ou à une table à l'aide de vis (non fournies) adaptées au type de surface de montage. Le support peut accueillir des vis de 6 mm de diamètre maximum. Localisez les trous de montage comme indiqué sur les figures 2-8 et 2-9.

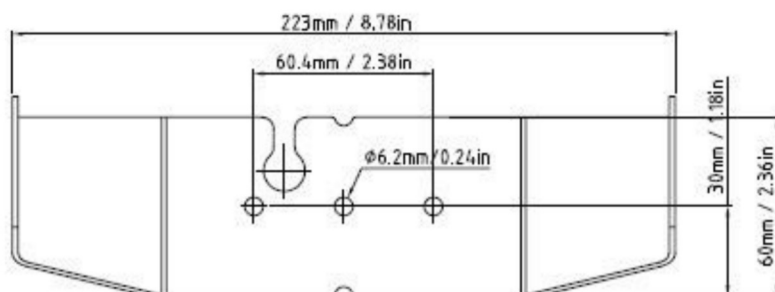


Figure 2-8 Dimensions du support de montage i-DT61PW

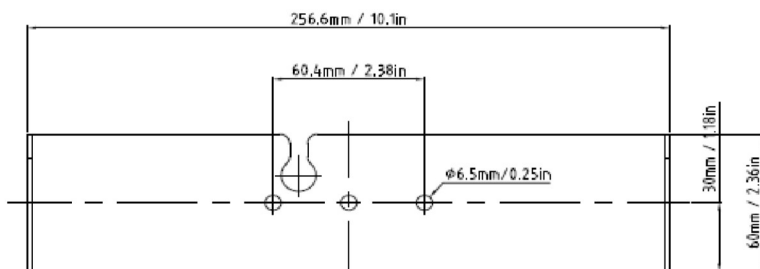


Figure 2-9 Dimensions du support de montage i-DT61XWE

3. FONCTIONNEMENT

3.1 Activation / désactivation de la balance

Pour activer la balance, appuyez sur la touche **On / Zero Off** et maintenez-la appuyée pendant 1 seconde. La balance effectue un test d'affichage, affiche momentanément la version du logiciel, puis entre en mode de pesage actif.


Pour désactiver la balance, appuyez et maintenez la touche **On / Zero Off** jusqu'à ce que **OFF** s'affiche.

3.2 Mode de pesée

Utilisez cette application pour déterminer le poids des articles dans l'unité de mesure sélectionnée. Ce mode est le réglage d'usine par défaut.

3.2.1 Entrez dans le mode et commencez à peser

Pour accéder au mode de pesage à partir de n'importe quel mode d'application :

1. Appuyez sur la touche **Mode** et maintenez-la appuyée jusqu'à ce que **WJE IGH** s'affiche.
2. Si nécessaire, placez un récipient vide sur le plateau et appuyez sur la touche  pour tarer.
3. Ajoutez l'échantillon dans le plateau ou le récipient. L'écran affiche le poids de l'échantillon.

Remarque : Veuillez consulter la section **Contrôle** pour savoir comment utiliser Contrôle en mode Pesage.

3.2.2 Accumulation et statistiques

La fonction Accumulation permet la totalisation manuelle ou automatique des valeurs affichées. Les données statistiques (poids total accumulé, poids min/max, pièces, pourcentage et nombre total d'échantillons) sont stockées en mémoire pour examen et impression. L'accumulation fonctionne avec chaque mode d'application à l'exception du remplissage, mais les données d'accumulation seront effacées lors du changement de mode.

3.2.2.1 Réglages

Il existe quatre options d'accumulation :

- Off (**OFF**) : désactive la fonction d'accumulation.
- Manuel (**MANUAL**) : appuyez sur la touche **M+** pour effectuer l'accumulation manuellement.
- Auto (**AUTO**) : la balance effectuera automatiquement l'accumulation.
- Accepter (**ACCEPT**) : la balance effectuera automatiquement l'accumulation en mode **Vérifier** lorsque le poids sur le plateau est acceptable entre les valeurs inférieure et supérieure que vous avez définies.

Pour définir les options d'accumulation :

1. Appuyez longuement sur la touche **Menu** jusqu'à l'affichage de **C.A.L.**
2. Appuyez brièvement sur la touche **No** une fois. Lorsque vous voyez **S.E.E.U.P.**, appuyez sur la touche **Yes**.
3. Appuyez brièvement sur la touche **No** plusieurs fois jusqu'à l'affichage **ACCUM?**. Appuyez sur la touche **Yes**.
4. Appuyez brièvement plusieurs fois sur la touche **No** pour sélectionner l'option d'accumulation souhaitée. Les quatre options ont été présentées ci-dessus. Appuyez ensuite sur la touche **Yes** pour confirmer.
5. Appuyez sur la touche **Exit** pour quitter.

3.2.2.2 Accumulation

Manuel

Placez l'article sur la balance et appuyez sur la touche **M+** pour ajouter le poids à l'accumulation. Le pointeur Σ continuera de clignoter jusqu'à ce que le poids soit retiré et que la balance soit stable.

Auto

Placez l'article sur la balance. La valeur affichée est accumulée automatiquement. Le pointeur Σ continuera de clignoter jusqu'à ce que le poids soit retiré et que la balance soit stable.

Accepter

Placez l'article sur la balance en mode Vérification. La valeur affichée est accumulée automatiquement lorsque le poids est acceptable entre les valeurs inférieure et supérieure que vous avez définies.

3.2.2.3 Afficher et effacer les données statistiques

Une fois le poids retiré, appuyez sur la touche **M+** pour afficher le résultat de l'accumulation et les statistiques. Pour effacer les données d'accumulation, appuyez sur la touche CLR de l'indicateur i-DT61XWE ou sur la

touche  de l'indicateur i-DT61PW pendant que les informations statistiques sont affichées. Lorsque

l'écran affiche **CLr.ACC**, appuyez sur la touche **Yes** pour effacer les données enregistrées et revenir au mode actuel.

Remarques :

- L'article doit être retiré du plateau avant que l'article suivant puisse être accumulé.
- Seuls les poids stables sont enregistrés.
- Le changement de mode effacera les données d'accumulation stockées.
- Lorsque Approuvé est activé : pour NTEP, le poids brut et le poids net ne peuvent pas être ajoutés au même total. Si le premier poids est enregistré en brut, les futurs doivent être enregistrés de la même manière. Il en va de même pour le poids net.

3.2.3 Vérification

Utilisez cette application pour comparer le poids des articles à une fourchette de poids cible. Ce mode est disponible pour le pesage, comptage, pourcentage et dynamique.

3.2.3.1 Définir les limites de contrôle

i-DT61PW

1. Appuyez sur la touche **Target** à partir du mode Pesage, Comptage, Pourcentage ou Dynamique pour définir les limites de contrôle.
2. L'écran affiche **UNdEr**.
3. Appuyez sur la touche **Yes** pour modifier la valeur inférieure.
4. Si une valeur a déjà été enregistrée, elle s'affichera. Par exemple : 1,0 kg.
 - Appuyez sur la touche **Yes** si vous souhaitez utiliser cette valeur. Ensuite, l'écran affiche **OUEr**.
 - Appuyez sur la touche **No** si vous ne souhaitez pas utiliser cette valeur et passez à l'étape 6.
5. S'il n'y a pas de valeur enregistrée, l'écran affiche **000000**.
6. Pour définir une nouvelle valeur inférieure, appuyez brièvement sur la touche **No** plusieurs fois jusqu'à ce que la valeur souhaitée apparaisse. Appuyez brièvement sur la touche **Yes** pour accepter la valeur et passer au chiffre suivant. Répétez le processus jusqu'à ce que tous les chiffres soient corrects. Appuyez sur la touche **Yes** pour accepter la valeur. Ensuite, l'écran affiche **OUEr**.
7. Répétez les étapes 2 à 6 pour définir la valeur supérieure.
8. Si les valeurs que vous avez définies ne sont pas valides, l'écran affichera **--NO --** et reviendra à l'état initial.
9. Si les valeurs que vous avez définies sont valides, l'affichage passera à l'écran de contrôle de pesée.

i-DT61XWE


1. Appuyez sur la touche **Target** à partir du mode Pesage, Comptage, Pourcentage ou Dynamique pour définir les limites de contrôle.
2. L'écran affiche **UNdEr**.
3. Appuyez sur la touche **Yes** pour modifier la valeur inférieure.
4. Si une valeur a déjà été enregistrée, elle s'affichera.
 - Appuyez sur la touche **Yes** si vous souhaitez utiliser cette valeur.
 - Appuyez sur la touche **No** si vous ne souhaitez pas utiliser cette valeur ou si vous n'avez pas de valeur enregistrée. Saisissez celle dont vous avez besoin à l'aide du clavier numérique. Appuyez sur la touche **Yes** pour accepter la valeur inférieure.
5. L'écran affichera **OUEr**.
6. Répétez les étapes 2 et 3 pour définir la valeur supérieure.
7. Si les valeurs que vous avez définies ne sont pas valides, l'écran affichera **--NO --** et reviendra à l'état initial.
8. Si les valeurs que vous avez définies sont valides, l'affichage passera à l'écran de contrôle de pesée.

3.2.3.2 Vérification positive

Le contrôle positif est utilisé pour déterminer si l'objet posé sur la balance est dans la fourchette cible. Dans ce cas, les valeurs inférieure et supérieure doivent être des valeurs positives. (La valeur supérieure doit être supérieure à la valeur inférieure.) Ajoutez un produit sur la plate-forme de balance jusqu'à ce que l'écran indique qu'il se trouve dans la plage Accepter (vert).


3.2.3.3 Contrôle négatif

Un contrôle négatif est utilisé pour déterminer quand l'objet retiré de la balance se trouve dans la fourchette cible. Dans ce cas, les valeurs inférieure et supérieure sont toutes deux des valeurs négatives. La valeur inférieure doit être supérieure à la valeur supérieure. (Par exemple : la valeur inférieure est -10 ; la valeur supérieure est -15).

Placez l'article à peser sur la balance et appuyez sur la touche .
Retirez une partie du produit jusqu'à ce qu'il se trouve dans la plage acceptable.


3.2.3.4 Vérification du zéro

La vérification du zéro est utilisée lors de la comparaison avec un échantillon de référence. Dans ce cas, la valeur inférieure doit être une valeur négative et la valeur supérieure doit être positive.

Placez l'article de référence sur la balance et appuyez sur la touche . Retirez le produit de la balance jusqu'à ce que l'écran indique qu'il se trouve dans la plage Accepter (vert).

3.2.3.5 Effacer les limites de contrôle

Appuyez longuement sur la touche **Target** jusqu'à ce que l'écran affiche les valeurs inférieures et supérieures.

Appuyez sur la touche **CLR** de l'indicateur i-DT61XWE ou sur la touche  de l'indicateur i-DT61PW, l'écran affiche **CLR.CHR**. Appuyez sur la touche **Yes** pour effacer à la fois la valeur inférieure et supérieure.

3.2.4 Paramètres de l'application

L'application peut être personnalisée selon les préférences de l'utilisateur.

Pour entrer les réglages de l'application :

1. Appuyez longuement sur la touche **Menu** jusqu'à l'affichage de **C.A.L.** Appuyez brièvement sur la touche **No** plusieurs fois jusqu'à l'affichage de **0.0.d.E**. Appuyez sur la touche **Yes** pour entrer les réglages du mode d'application.
2. Appuyez brièvement sur la touche **No** plusieurs fois pour arriver à la sélection souhaitée.
3. Appuyez sur la touche **Yes** pour sélectionner.
4. Répétez les étapes 2 et 3 plusieurs fois jusqu'à ce que vous ayez terminé tous les réglages.
5. Appuyez sur la touche **Exit** pour quitter.

Les configurations de pesage sont définies ci-dessous (par défaut en gras).

| Article | Paramètres disponibles | Commentaires |
|---------------------------|------------------------|-----------------------|
| Pesage (LJÉ IGH) | On, Off | Pour activer la pesée |

Remarque : vous ne pouvez pas désactiver le pesage si ce mode est en cours de sélection.

3.3 Mode comptage

Utilisez cette application pour compter des produits de poids uniforme.

3.3.1 Accédez au mode

Pour entrer dans le mode :

1. Appuyez et maintenez la touche **Mode** jusqu'à ce que **COUPE** s'affiche.
2. Lorsque la touche **Mode** est relâchée, l'écran affiche **CLR.PWJ**.
3. Si vous devez effacer l'APW enregistré la dernière fois, appuyez sur la touche **Yes**. Passez ensuite à l'étape « Mettre en place un APW ».

Remarque : si le poids sur le plateau est supérieur à 1 d, l'écran affichera **CLR.PAN** jusqu'à ce que le poids soit retiré du plateau.
4. Si vous souhaitez utiliser la dernière valeur APW enregistrée, appuyez sur la touche **No** pour démarrer le comptage.

Remarque : si aucun APW n'a été défini auparavant, les étapes 3 et 4 seront omises.

3.3.2 Mettre en place un APW

Pour établir un APW :

1. Suivez l'étape précédente 4.
 - **i-DT61PW** :
L'écran affiche le nombre de pièces utilisées pour l'échantillon **PUE. 10**. Pour le changer, appuyez brièvement sur la touche **No** plusieurs fois jusqu'à arriver à la valeur souhaitée.


Remarque : les valeurs disponibles pour le nombre de pièces utilisées pour l'échantillon sont 5, 10, 20, 50 et 100 (la valeur par défaut est 10).

- **i-DT61XWE**

L'écran clignote avec le nombre de pièces utilisé pour l'échantillon, par exemple 10 Pcs. Pour le modifier, saisissez la nouvelle taille d'échantillon via le clavier numérique. N'appuyez pas sur la touche **Yes** avant d'avoir terminé l'étape suivante.

2. Placez la quantité spécifiée d'échantillons sur le plateau et appuyez sur la touche **Yes** pour enregistrer le poids.

Remarque :

- Pendant le processus de mesure, l'écran affiche - - - - -. (i-DT61PW)
- Vous pouvez appuyer sur la touche  pour tarer. L'icône zéro, PT ou NET s'allumera selon le cas.
- Si l'APW est compris entre 0,1 d et 1 d, l'écran affiche **LD.rEF** pendant 1,5 seconde. Ensuite, il commencera à compter.
- Si l'APW est inférieur à 0,1 d, l'écran affiche **rEF.Err** pendant 1,5 seconde, puis revient à l'affichage de l'étape 1. Veuillez replacer les échantillons sur le plateau et appuyer sur la touche **Yes** pour rétablir une valeur d'APW.

3.3.3 Commencer à compter

1. Placez les pièces sur le plateau et lisez la valeur. Le nombre de pièces et l'icône Pcs s'affichent.
2. Appuyez sur la touche **Function** pour afficher temporairement l'APW. **APWJ** s'affiche pendant 0,5 seconde. Ensuite, la valeur d'APW est affichée pendant 1,5 seconde en utilisant l'unité de mesure actuelle.

Remarque : Veuillez vous reporter à **Contrôle** dans la section **Mode de pesage** pour savoir comment utiliser Contrôle en mode de comptage.

3.3.4 Paramètres de l'application

L'application peut être personnalisée selon les préférences de l'utilisateur. Veuillez vous reporter à la section **Réglages d'application** dans **Mode de pesée** pour plus de détails sur la manière d'entrer les paramètres d'application.

Les configurations de comptage sont définies ci-dessous (par défaut en gras).

| Article | Paramètres disponibles | Commentaires |
|----------------------------|------------------------|---|
| Compte (COUPE) | On , Off | Pour activer le comptage |
| Opt auto. (R.OPE) | On , Off | Off : Opt auto. est éteint. On : L'APW sera optimisé automatiquement pendant le comptage de la pesée. |

Remarque : vous ne pouvez pas désactiver le mode comptage s'il est en cours d'utilisation.

3.4 Mode pourcentage

Utilisez cette application pour mesurer le poids d'un échantillon affiché sous forme de pourcentage par rapport à un poids de référence préétabli.

3.4.1 Accédez au mode

Pour accéder au mode Pourcentage à partir de n'importe quel mode d'application :


1. Appuyez sur la touche **Mode** et maintenez-la enfoncée jusqu'à ce que **PERCENT** s'affiche.
2. Lorsque la touche **Mode** est relâchée, l'écran affiche **CLR.PAN** et l'icône %.
3. Si vous devez effacer le poids de référence enregistré la dernière fois, appuyez sur la touche **Yes**. Passez ensuite à l'étape 5.
Remarque : Si le poids mesuré est supérieur ou égal à 1 d ou inférieur ou égal à -1 d, l'écran affichera **CLR.PAN** jusqu'à ce que l'échantillon soit retiré du plateau.
4. Si vous avez besoin de rappeler le poids de référence enregistré la dernière fois et continuer à l'utiliser, appuyez sur la touche **No** et démarrez la pesée en pourcentage.
Remarque : Si aucun poids de référence n'a été précédemment enregistré, les étapes 3 et 4 seront omises.
5. L'écran affiche **PUt.rEF** et l'icône %.

3.4.2 Établir un poids de référence

Pour établir un poids de référence :

Suivez l'étape précédente 5. Lorsque vous voyez **PUt.rEF** affiché à l'écran, placez l'échantillon sur le plateau et appuyez sur la touche **Yes** pour enregistrer le poids.

Remarque :

- Vous pouvez appuyer sur la touche  pour tarer. L'icône zéro, PT ou NET s'allumera selon le cas.
- Pour le modèle i-DT61PW, pendant le processus de mesure, l'écran affiche - - - - -.
- Si le poids de référence est inférieur à 100 d pendant le processus de mesure, l'écran affichera **rEF.Err** pendant 1,5 seconde, puis retournera à l'affichage **PUt.rEF**. Veuillez replacer les échantillons sur le plateau et appuyer sur la touche **Yes** pour enregistrer à nouveau un poids de référence.

3.4.3 Démarrer la pesée en pourcentage

1. Placez un produit sur le plateau, la valeur de pourcentage et l'icône % s'affichent.
2. Appuyez sur la touche **Function** pour afficher temporairement le poids de référence. **rEF.Wt** s'affiche pendant 0,5 seconde. Ensuite, la valeur du poids de référence s'affiche pendant 1,5 seconde dans l'unité de mesure actuelle.

Remarque : Veuillez vous reporter à **Contrôle** dans la section **Mode de pesée** pour savoir comment utiliser Contrôle en mode de pesée en pourcentage.

3.4.4 Paramètres de l'application

L'application peut être personnalisée selon les préférences de l'utilisateur. Veuillez vous reporter à la section **Réglages d'application** dans **Mode de pesée** pour plus de détails sur la manière d'entrer les paramètres d'application.

Les configurations de pesée en pourcentage sont définies ci-dessous (par défaut en gras).

| Article | Paramètres disponibles | Commentaires |
|--------------------------------|------------------------|--------------------------------------|
| Pourcentage (PERCENT) | On , Off | Pour activer la pesée en pourcentage |

Remarque : vous ne pouvez pas désactiver le pourcentage si vous êtes actuellement dans ce mode.

3.5 Mode dynamique

Utilisez cette application pour peser une charge instable, comme un animal en mouvement.

3.5.1 Accédez au mode

Pour accéder au mode Pesage dynamique à partir de n'importe quel mode d'application :

1. Appuyez sur la touche **Mode** et maintenez-la appuyée jusqu'à ce que **ДYNAM** s'affiche.
2. L'écran affiche **READY**.

3.5.2 Démarrer le pesage dynamique

1. Commencer :
 - Lorsque l'opération est manuelle. Placez la charge (supérieure ou égale à 5 d) sur le plateau et appuyez sur la touche **Function** pour démarrer le processus de calcul de la moyenne.
 - Lorsque l'opération est semi-automatique / automatique. Placez la charge (supérieure ou égale au poids de départ) sur le plateau et l'indicateur commencera automatiquement le processus de calcul de la moyenne

Remarque : la valeur brute ou nette affichée doit être à zéro avant de placer la charge sur le plateau.
2. Pendant la période de calcul de la moyenne, le compte à rebours diminue par incréments d'une seconde (par exemple, le temps moyen réglé est de 5 s).

Remarque : Si le temps moyen réglé est de 0 s, le compte à rebours ne s'affiche pas.
3. Les mesures sont établies en moyenne et conservées sur l'écran lorsque le compte à rebours est terminé en mode Compte à rebours et Continu.

De plus, pour le modèle DT61XWE :

 - Le symbole tilde (~) clignotera pour indiquer que le poids actuel est maintenu en mode Compte à rebours.
 - Le symbole tilde (~) clignotera pour indiquer que le poids actuel est fourni en moyenne en temps réel en mode Continu.

Remarque : Si le temps moyen réglé est de 0 s, le premier poids supérieur à 5 d sera affiché et maintenu.
4. Pour réinitialiser le compte à rebours :
 - Lorsque l'opération est manuelle / semi-automatique, appuyez sur la touche **Function** pour réinitialiser le compte à rebours lorsqu'il est en cours. L'écran affiche **READY** et recommence le comptage.
 - Lorsque l'opération est automatique, retirez la charge du plateau, et le poids moyen sera toujours affiché jusqu'à ce que la durée soit écoulée. Ensuite, l'écran affiche **READY** et recommence à compter.

Remarque :

 - L'affichage **READY** doit être à la valeur brute ou nette zéro pour réinitialiser le compte à rebours.
 - Veuillez vous reporter à **Contrôle** dans la section **Mode de pesage** pour savoir comment utiliser Contrôle en mode de pesée dynamique.

3.5.3 Paramètres de l'application

L'application peut être personnalisée selon les préférences de l'utilisateur. Veuillez vous reporter à la section **Réglages d'application** dans **Mode de pesée** pour plus de détails sur la manière d'entrer les paramètres d'application.

Les configurations de pesée dynamique sont définies ci-dessous (par défaut en gras).

| Article | Paramètres disponibles | Commentaires |
|---|---|---|
| Mode dynamique (ДYNAM) | Compte à rebours (С.ДОЛЖН) / Continue (CONT) / Off (OFF) | Compte à rebours : Il y a un compte à rebours. Continu : Le calcul de la moyenne se poursuivra après le compte à rebours. |
| Opération dynamique (d. TYPE) | Manuel (MAN) / Semi-automatique (SEMI) / Auto (AUTO) | Manuel : Le processus de calcul de la moyenne est démarré et réinitialisé manuellement. Semi-automatique : Le processus de calcul de la moyenne est démarré automatiquement et réinitialisé manuellement. Auto : |

| | | |
|---------------------------------------|--------------------|--|
| | | Le processus de calcul de la moyenne démarre et se réinitialise automatiquement. |
| Poids de départ (5.1.1.1) | 0 ~ Capacité/Poids | Le pesage dynamique démarre lorsque la charge est plus grande que le poids de départ (pour les modes semi-automatique et automatique). |
| Durée (d.1.1.1) | 1 ~ 10 s | C'est le temps d'affichage du résultat de la pesée dynamique après le retrait de la charge. |
| Durée moyenne (R.1.1.1) | 0 ~ 30 s | Temps en secondes. Si le temps moyen est égal à 0, le résultat sera le premier poids stable (supérieur ou égal à 5 d). |

Remarque : vous ne pouvez pas désactiver Dynamic si vous êtes actuellement dans ce mode.

3.6 Mode de remplissage

Utilisez cette application pour remplir un récipient jusqu'à un poids cible prédéterminé.

Remarque : le mode de remplissage n'est disponible que pour le modèle i-DT61XWE.

3.6.1 Accédez au mode

Pour accéder au mode Remplissage à partir de n'importe quel mode d'application :

1. Appuyez sur la touche **Mode** et maintenez-la appuyée jusqu'à ce que **FILL** s'affiche.
2. Le poids réel est affiché à l'écran.

3.6.2 Commencer le remplissage

1. Lorsque la balance est en état d'arrêt ou pause, appuyez sur la touche **Function** pour démarrer le processus de remplissage. Le port de sortie sera activé.
2. Ajoutez du poids sur le plateau. Lorsqu'un point de consigne (SP1 / SP2 / SP3 / SP4) est atteint, le port de sortie associé est désactivé.
3. Lorsque la balance est en état de démarrage ou pause, appuyez sur la touche **Function** pour arrêter le processus de remplissage. Le port de sortie sera entièrement désactivé.

3.6.3 Reprendre et suspendre le remplissage

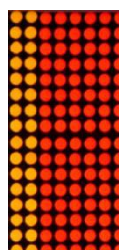
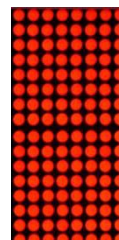
1. Lorsque la balance est en état de pause, appuyez sur la touche **Target** pour reprendre le processus de remplissage. Le port de sortie sera activé ou désactivé en fonction de la valeur de charge actuelle.
2. Lorsque la balance est en état de démarrage, appuyez sur la touche **Target** pour suspendre le processus de remplissage. Le port de sortie sera entièrement désactivé et l'affichage sera gelé.

3.6.4 Affichage de l'écran à matrice de points

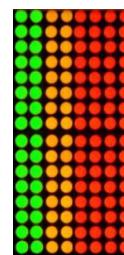
L'indicateur de contrôle sera divisé de une à quatre colonnes en fonction du nombre de points de consigne (SP) valides. Le maximum est de quatre colonnes. Par exemple, si vous définissez quatre SP, l'écran sera divisé en quatre colonnes. De plus, l'écran affichera différentes couleurs en fonction de la valeur de charge.

Par exemple :

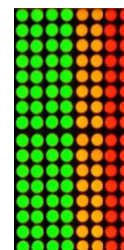
1. Vous définissez quatre valeurs SP valides avec SP1 inférieur à SP2, SP2 inférieur à SP3, SP3 inférieur à SP4. Ensuite, l'indicateur de contrôle sera divisé en quatre colonnes.
2. Commencer le remplissage, la première charge est inférieure à SP1, la première colonne s'affiche en orange et les autres en rouge.



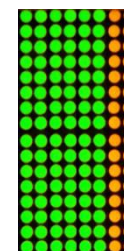
3. Si vous continuez à remplir et que la charge totale est maintenant supérieure ou égale à SP1 et inférieure à SP2, la première colonne s'affiche en vert, la deuxième en orange et les autres en rouge.



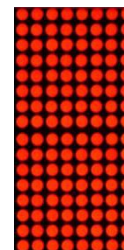
4. En continuant à remplir, si la charge totale est ensuite supérieure ou égale à SP2 et inférieure à SP3, les deux premières colonnes sont en vert, la troisième en orange et les autres en rouge.



5. En continuant toujours à remplir, si la charge totale est maintenant supérieure ou égale à SP3 et inférieure à SP4, les trois premières colonnes sont en vert et la quatrième en orange.



6. Pour finir, si la charge totale est supérieure à SP4, les quatre colonnes deviennent rouges et l'instrument sera à l'arrêt.



3.6.5 Paramètres de l'application

L'application peut être personnalisée selon les préférences de l'utilisateur. Veuillez vous reporter à la section **Réglages d'application** dans **Mode de pesée** pour plus de détails sur la manière d'entrer les paramètres d'application.

Les configurations de remplissage sont définies ci-dessous (par défaut en gras)

| Article | Paramètres disponibles | Commentaires |
|------------------------------|------------------------|------------------------------------|
| Remplissage (F ILL) | On , Off | Pour activer le Remplissage/Pesage |

Remarque : vous ne pouvez pas désactiver le remplissage si vous êtes actuellement dans ce mode.

4. RÉGLAGES DES MENUS

Le menu utilisateur permet la personnalisation des réglages de la balance.

Remarque : Des sous-menus supplémentaires peuvent être disponibles si les options d'interface sont installées. Consultez le manuel de l'utilisateur de l'interface pour obtenir des informations de réglage supplémentaires.

4.1 Navigation dans les menus

4.1.1 Menu utilisateur

Pour le modèle i-DT61PW

| C.A.L | S.E.t.U.P | r. E.R.d | ŋŋ.O.d.E | U. n. u. t | G.ŋŋ.P | A. S.2.3.2 | P.r. I.N.t | L. o. c. t | E. n. d |
|---------|-----------|----------|----------|---------------|--------|---------------|------------|------------|------------|
| ZE-rD | rESEt | rESEt | rESEt | rESEt | rESEt | rESEt | rESEt | rESEt | |
| SPAN | C.UN It | StAbLE | WJE IGH | kg | d.Fŋŋt | bAUs | ASS IGH | L.ALL | |
| L INE | CRP | ZE-rD | COUNt | g | dAtE | PAR ItY | StAbLE | L.OFF | |
| GEO | G-rAd | F ILtEr | A.OPt | lb | t.Fŋŋt | StOP | ŋŋOdE | L.ZE-rD | |
| C.tESEt | P.ZE-rD | A2t | PErCŋt | oz | t IŋŋE | H.SHARtE | t IŋŋE | L.Pr Iŋt | |
| F in | P.UN It | b.L IGHt | dYŋŋŋŋ | lb;oz | P. Id | ALt.P | C.SUPŋ | L.UN It | |
| | A. tArE | S.SAUsEr | d.tYPE | End | S. Id | ALt.t | tEPŋŋ | L.ŋŋOdE | |
| | ACCUPŋ | A.OFF | d.t IŋŋE | | End | ALt.2 | End | L.ŋŋMENU | |
| | t. Cŋt | P.SAUsER | A.t IŋŋE | | | End | | L.tArE | |
| | t. NEHt | End | End | | | | | L.tArGE | |
| | End | | | | | | | End | |

Pour le modèle i-DT61XWE

| C.A.L | S.E.t.U.P | r. E.R.d | ŋŋ.O.d.E | U. n. u. t | G.ŋŋ.P | A.S.2.3.2 | P.r. I.N.t | I.O. | L.o.c.t | L. Ib | U.S.E.r | U.S.b | E.n.d |
|---------|-----------|----------|----------|---------------|--------|-----------|------------|---------|----------|-------|---------|-----------|-------|
| ZE-rD | rESEt | rESEt | rESEt | rESEt | rESEt | rESEt | rESEt | rESEt | rESEt | NEWJ | NEWJ | rESEt | |
| SPAN | C.UN It | StAbLE | WJE IGH | kg | d.Fŋŋt | bAUs | ASS IGH | tYPE | L.ALL | Ed It | Ed It | tYPE | |
| L INE | rANGE | ZE-rD | PErCŋt | g | dAtE | PAR ItY | StAbLE | INPUt 1 | L.OFF | End | End | E.ŋŋMENU | |
| GEO | CRP 1 | F ILtEr | dYŋŋŋŋ | lb | t.Fŋŋt | StOP | ŋŋOdE | INPUt2 | L.ZE-rD | | | I.ŋŋMENU | |
| C.tESEt | G-rAd 1 | A2t | d.tYPE | oz | t IŋŋE | H.SHARtE | t IŋŋE | OUt 1 | L.Pr Iŋt | | | E.L Ib | |
| End | CRP2 | L IGHt | S.tJt | lb;oz | P. Id | ALt.P | C.SUPŋ | OUt2 | L.UN It | | | I.L Ib | |
| | G-rAd2 | S.SAUsEr | d.t IŋŋE | End | S. Id | ALt.t | tEPŋŋ | OUt3 | L.FUNC | | | E.USER | |
| | P.ZE-rD | A.OFF | A.t IŋŋE | | End | ALt.2 | End | OUt4 | L.ŋŋOdE | | | I.USER | |
| | P.UN It | L.FEY | F ILL | | | End | | End | L.ŋŋMENU | | | LEŋGtH | |
| | A. tArE | End | End | | | | | | L.tArE | | | S.d IG It | |
| | ACCUPŋ | | | | | | | | L.tArGE | | | | |
| | t.bEEP | | | | | | | | End | | | | |
| | t.CL Ict | | | | | | | | | | | | |
| | bP.S IG | | | | | | | | | | | | |
| | L.S IGH | | | | | | | | | | | | |
| | t.r.FUNC | | | | | | | | | | | | |
| | t.r.Adj | | | | | | | | | | | | |
| | t.Cŋt | | | | | | | | | | | | |
| | t.NEHt | | | | | | | | | | | | |
| | P.tJd.EN | | | | | | | | | | | | |
| | P.tJd | | | | | | | | | | | | |
| | End | | | | | | | | | | | | |

Remarques :

Certains modes / unités peuvent ne pas être disponibles sur tous les modèles.

Lorsque LEGAL FOR TRADE est réglé sur **ON** (le commutateur de verrouillage est en position verrouillée), les réglages du menu seront affectés comme suit :