



GUARDIAN™ 7000

Hotplate Stirrers



Durable Hotplate Stirrers with Superior Safety Features and Intelligent Performance

OHAUS Guardian 7000 Hotplate Stirrers are designed with outstanding safety features and superior heating and mixing performance. The SmartHousing™ is chemical resistant with an innovative, easy-to-clean design that channels spills away from internal components and the angled glass control panel. The bright LCD display includes intuitive icons, temperature, speed and time settings - all designed to monitor performance from across the lab.

Unique Features:

- **SmartPresence™ and SmartLink™ Technologies Ensure Supervised Operation**
Protect your lab with SmartPresence™ and SmartLink™ technologies. These exclusive features automatically shut off the heater if no one is detected after a user set "time out" period has passed.
- **SafetyHeat™ System Protects the Lab**
An industry-leading early detection system that uses two independent safety controls to continuously monitor the electronics and shut off heating before an overtemperature condition occurs.
- **Powerful, Consistent Stirring Performance**
Precise stirring from 60 to 1600 rpm is made possible by the design of a powerful motor, strong magnet and software controlled ramp rate, ensuring secure magnetic coupling for viscous applications.
- **Customized Performance for Precise Applications**
SmartHeat™ allows you to set the maximum temperature of the unit and SmartRate™ enables fast or slow temperature and speed ramp rates. The programming feature allows storage of 5 multi-step programs.

GUARDIAN™ 7000 Hotplate Stirrers

SmartHeat™

Safely control and monitor the maximum temperature preventing overheating of sensitive samples.

SmartLink™

If the **Bluetooth® link is broken, the heating function will safely shut off. Ohaus Wireless Dongle Accessory is required.

SmartRate™

Enables to select fast or slow temperature and speed ramp rates for precise sample control.



SmartHousing™

Stays cool to the touch and is chemical-resistant.

SmartPresence™

Exclusive proximity sensor technology recognizes nearby users and safely turns off heating function if none are detected.

SafetyHeat™

Industry-leading internal protection system to assure safety in heating applications with dual monitoring of system health.

| Model | e-G71HS07C | e-G71HS10C | e-G71HSRDM |
|-------------------------|---|-----------------------|-------------------------|
| Function | Heating and Stirring | | |
| Top Plate Size | 17.8 x 17.8 cm | 25.4 x 25.4 cm | 13.5 cm diameter |
| Speed Range | 60 rpm to 1600 rpm | | |
| Speed Stability | +/- 2 % | | |
| Temperature Range | Ambient + 5 °C – 500 °C | | Ambient + 5 °C – 380 °C |
| Temperature Stability* | +/- 1 % Plate, below 100 °C +/-1 °C and +/- 0.5 % Probe, below 100 °C +/-1 °C | | |
| Temperature Accuracy* | Plate +/- 5 °C (after Single Point Calibration) and Probe +/- 0.5 °C (after Single Point Calibration) | | |
| Temperature Calibration | Five Plate and Five Probe | | |
| Timer | 1 minute to 99 hours and 59 minutes | | |
| Control | Digital | | |
| Display | Custom Backlit LCD | | |
| Communication | USB | | |
| Capacity | 15 L | 18 L | 20 L |
| Top Plate Material | Ceramic | | Aluminum |
| Dimensions (H x L x W) | 12.2 x 30.9 x 22.3 cm | 12.2 x 41.5 x 28.6 cm | 12.6 x 26.7 x 17.3 cm |
| Net Weight | 2.6 kg | 5.2 kg | 2.6 kg |
| Power | 230V, 6.0A, 50/60Hz | 230V, 7A, 50/60Hz | 230V, 4.6A, 50/60Hz |
| Power Consumption | 1242W (230V) | 1449 (230V) | 952 (230V) |
| Working Environment | 5 °C – 40 °C, 80 % RH, non-condensing | | |
| Accessories | Temperature Probe and In Use Cover (Included) | | |

* Conditions permitting. Variations in temperature measurement process, vessel, ambient and sample will impact actual performance.

**The Bluetooth word mark and logos are registered trademarks owned by Bluetooth SIG, Inc. and any use of such marks by OHAUS is under license.

GUARDIAN™ 7000 Hotplate Stirrers

Accessories

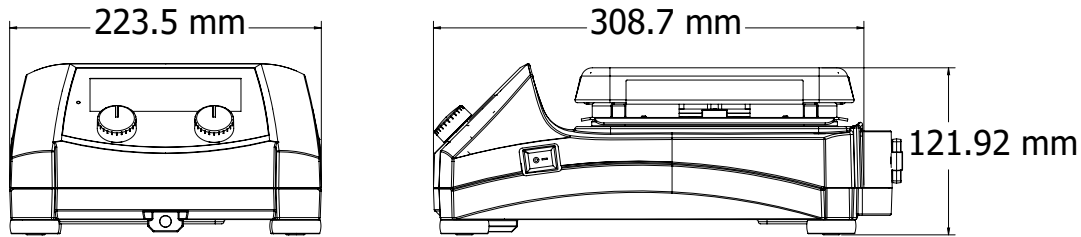
| Item No. | Description | e-G71HS07C | e-G71HS10C | e-G71HSRDM |
|-----------|---------------------------------------|------------|------------|------------|
| 30500570 | Base Plate, 135 mm | | | ● |
| 30500571 | Handles for Base Plate | | | ● |
| 30500572 | Sectional Block, 12 mm Vials | | | ● |
| 30500573 | Sectional Block, 15 mm Vials | | | ● |
| 30500574 | Sectional Block, 17 mm Vials | | | ● |
| 30500575 | Sectional Block, 21 mm Vials | | | ● |
| 30500576 | Sectional Block, 28 mm Vials | | | ● |
| 30500577 | Sectional Block, 12 mm Test Tubes | | | ● |
| 30500578 | Sectional Block, 16 mm Test Tubes | | | ● |
| 30500579 | Sectional Block, 20 mm Test Tubes | | | ● |
| 30500580 | Sectional Block, 25 mm Test Tubes | | | ● |
| 30500581 | Uni Block, 12 mm Vials | | | ● |
| 30500582 | Uni Block, 15 mm Vials | | | ● |
| 30500583 | Uni Block, 17 mm Vials | | | ● |
| 30500584 | Uni Block, 21 mm Vials | | | ● |
| 30500585 | Uni Block, 28 mm Vials | | | ● |
| 30500586 | Uni Block, 12 mm Test Tubes | | | ● |
| 30500587 | Uni Block, 16 mm Test Tubes | | | ● |
| 30500588 | Uni Block, 20 mm Test Tubes | | | ● |
| 30500589 | Uni Block, 25 mm Test Tubes | | | ● |
| 30392233 | Clamp, Specialty, Rod, CLS-RODS | | | ● |
| 30500590 | Temperature Probe, 20 cm S/S | ● | ● | ● |
| 30500591 | Temperature Probe, 20 cm PTFE | ● | ● | ● |
| 30500592 | Temperature Probe, 25 cm S/S | ● | ● | ● |
| 30500593 | Temperature Probe, 25 cm PTFE | ● | ● | ● |
| 30500594 | In Use Cover Guardian, 17.8 x 17.8 cm | ● | | |
| 30500595 | In Use Cover Guardian, 25.4 x 25.4 cm | | ● | |
| 30500596 | In Use Cover Guardian, Round | | | ● |
| 30500597 | Vessel Clamp | ● | ● | ● |
| 30500598 | Stir Bar Retriever | ● | ● | ● |
| 30412537* | Wireless Dongle MTICWD-200 | ● | ● | ● |
| 30392314 | Clamp, Specialty, Column, CLS-COLMNSS | ● | ● | ● |
| 30392315 | Clamp, Specialty, Column, CLS-COLMNSM | ● | ● | ● |
| 30392316 | Clamp, Specialty, Column, CLS-COLMNSL | ● | ● | ● |
| 30392317 | Clamp, Specialty, Column, CLS-COLMNSX | ● | ● | ● |
| 30392318 | Clamp, Specialty, Nester, CLS-NESTXS | ● | ● | ● |
| 30400145 | Ultra Flex Support Kit | ● | ● | ● |
| 30400146 | Support Rod And Clamp Kit | ● | ● | ● |
| 30400147 | Spinbar, 2.5 cm PTFE | ● | ● | ● |
| 30400148 | Spinbar, 3.8 cm PTFE | ● | ● | ● |
| 30400149 | Spinbar, 7 cm PTFE | ● | ● | ● |
| 30400150 | Spinbar, 10 cm with Pivot Ring PTFE | ● | ● | ● |

*Wireless Dongle accessory required to enable SmartLink™ feature.

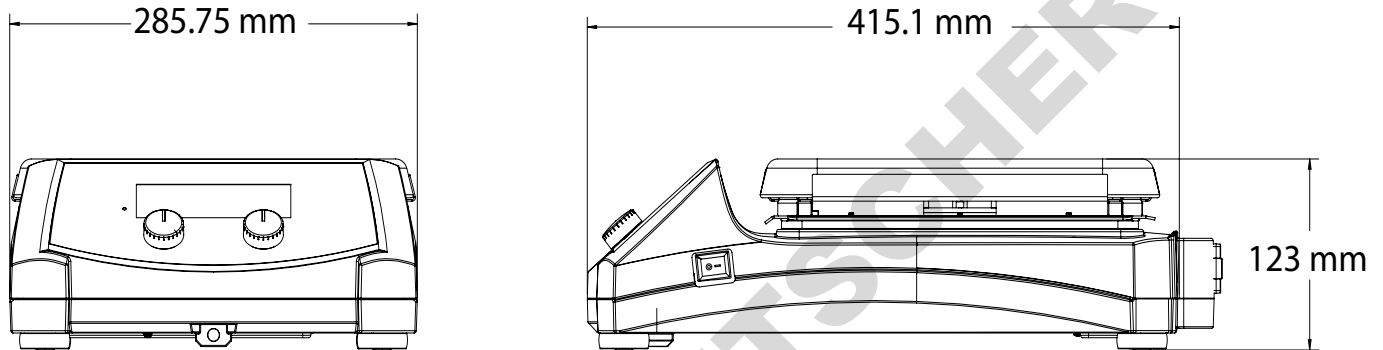
GUARDIAN™ 7000 Hotplate Stirrers

Outline Dimensions

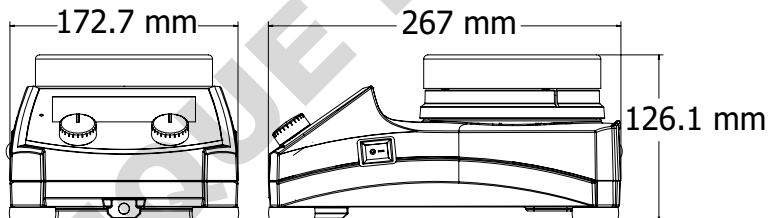
e-G71HS07C



e-G71HS10C



e-G71HSRDM



Other Features and Equipment

Icons for SmartRate™, SmartHeat™, SmartPresence™, SmartLink™, green indicator lights when unit is heating and stirring, probe in use, USB port for programming of repeat applications, IP21 Ingress Protection, probe connection, hardened glass front panel, control knobs, On/Off switch for heater disconnect, built-in support rod holder, easy-to-clean ceramic or aluminum tops

Compliance

- **Product Safety:** IEC/EN 61010-1; IEC/EN 61010-2-010; IEC/EN 61010-2-051
- **Electromagnetic Compatibility:** IEC/EN 61326-1 Class A, Basic Environments
- **Compliance Marks:** CE; RCM; UKCA; TÜV SÜD; WEEE

OHAUS Europe GmbH

Heuwinkelstrasse 3,
8606 Nänikon,
Switzerland

e-mail: ssc@ohaus.com
Tel: 0041 22 567 53 19
e-mail: tsc@ohaus.com
Tel: 0041 22 567 53 20

www.ohaus.com

The management system governing the manufacture of this product is ISO 9001:2015 certified.

