



Designed for Routine Weighing Applications in Your Workplace

Offering accuracy and repeatability in essential weighing applications in laboratory, industrial and education settings, PR Analytical and Precision Balances deliver competitive performance at an economical price. Featuring RS232 connectivity for easy communication, and a backlit display and a simple interface for uncomplicated operation, the PR is perfectly designed for your workplace.

Standard Features Include:

- **Basic Functionality for Routine Weighing Applications**

The PR is equipped with three essential weighing modes, RS232 connectivity for data transfer and storage and internal calibration (in select models), making it ideal for routine weighing applications.

- **Designed for Uncomplicated Operation with Easy-to-Use Display and Interface**

Equipped with an easy-to-read, bright backlit display and a simple user interface, the PR is incredibly easy to operate, with almost no training required.

- **Smart Design and Durable Construction**

The PR's small footprint saves desktop space, while providing a large weighing surface. The PR is durably constructed, and features a stainless steel pan to withstand day-to-day use in the workplace.

PR SERIES *Analytical and Precision Balances*

Standard RS232 connectivity for easy data transfer.



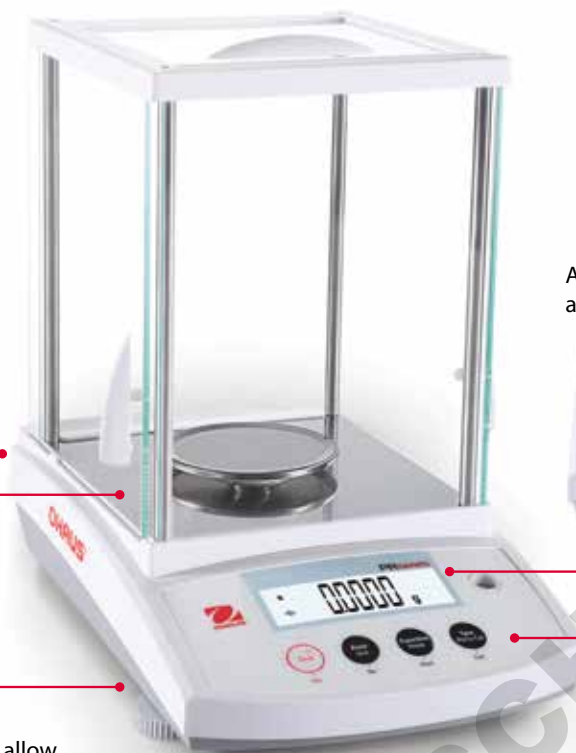
A large, bright backlit display allows for easy viewing of results.



Durably constructed, and features a stainless steel pan to withstand day-to-day use.

Two adjustable feet that allow user to level the balance.

Four mechanical keys enable easy operation of basic application modes.



| InCal™ Model | PR124 | PR224 | PR223 | PR423 | PR523 |
|--|---|---------|---------|---------|---------|
| ExCal Model | PR124/E | PR224/E | PR223/E | PR423/E | PR523/E |
| Approved Model* | PR124M | PR224M | PR223M | PR423M | PR523M |
| Capacity (g) | 120 | 220 | | 420 | 520 |
| Readability (g) | 0.0001 | | 0.001 | | |
| Verification Interval (e) (g) (Approved Models) | 0.001 | | 0.01 | | |
| Class (Approved Models) | I | | II | | |
| Repeatability (STDEV) (g) | 0.0001 | | 0.001 | | |
| Linearity (g) | 0.0002 | | 0.002 | | |
| Stabilization Time (s) | 3 | | 2 | | |
| Sensitivity Temperature Drift (PPM/K) | ±3 | | ±8 | ±3 | |
| Typical Minimum Weight USP (USP, K=2, U=0.10%) | 200 mg | | 2 g | | |
| Optimized Minimum Weight (USP, U=0.10%, K=2) SRP≤0.41d** | 82 mg | | 0.82 g | | |
| Units | Milligram, Gram, Ounce, Carat, Pennyweight, Ounce Troy, Newton, grain | | | | |
| Units (Approved Models) | Milligram, Gram, Carat | | | | |
| Applications | Basic Weighing, Parts Counting, Percent Weighing | | | | |
| Pan Size (Ø) | 90 mm | | 120 mm | | |
| Tare Range | To full range by subtraction | | | | |
| Power Supply | Power Input: 100 – 240V ~ 200mA 50 – 60Hz 12 – 18VA Power Output: 12 VDC 0.5A | | | | |
| Assembled Dimensions (W × D × H) | 201 × 317 × 303 mm | | | | |
| Communication | RS232 | | | | |
| Operating Temperature Range | Operating conditions for ordinary lab application: +10 to 30°C (operability guaranteed between +5 and 40°C) | | | | |
| Storage Temperature Range | Humidity: maximum relative humidity 80% for temperatures up to 30 °C, decreasing linearly to 50% relative humidity at 40 °C | | | | |
| Net Weight | 4.5 kg | | | | |
| Shipping Weight | 7 kg | | | | |
| Shipping Dimensions (W × D × H) | 507 × 387 × 531 mm | | | | |

*Approved models are all internal calibration models.

**The value for SRP is the standard deviation for n replicate weighings (n≥10)

PR SERIES *Precision Balances*

Standard RS232 connectivity for easy data transfer.



A large, bright backlit display allows for easy viewing of results.



Two adjustable feet that allow user to level the balance.

Four mechanical keys enable easy operation of basic application modes.



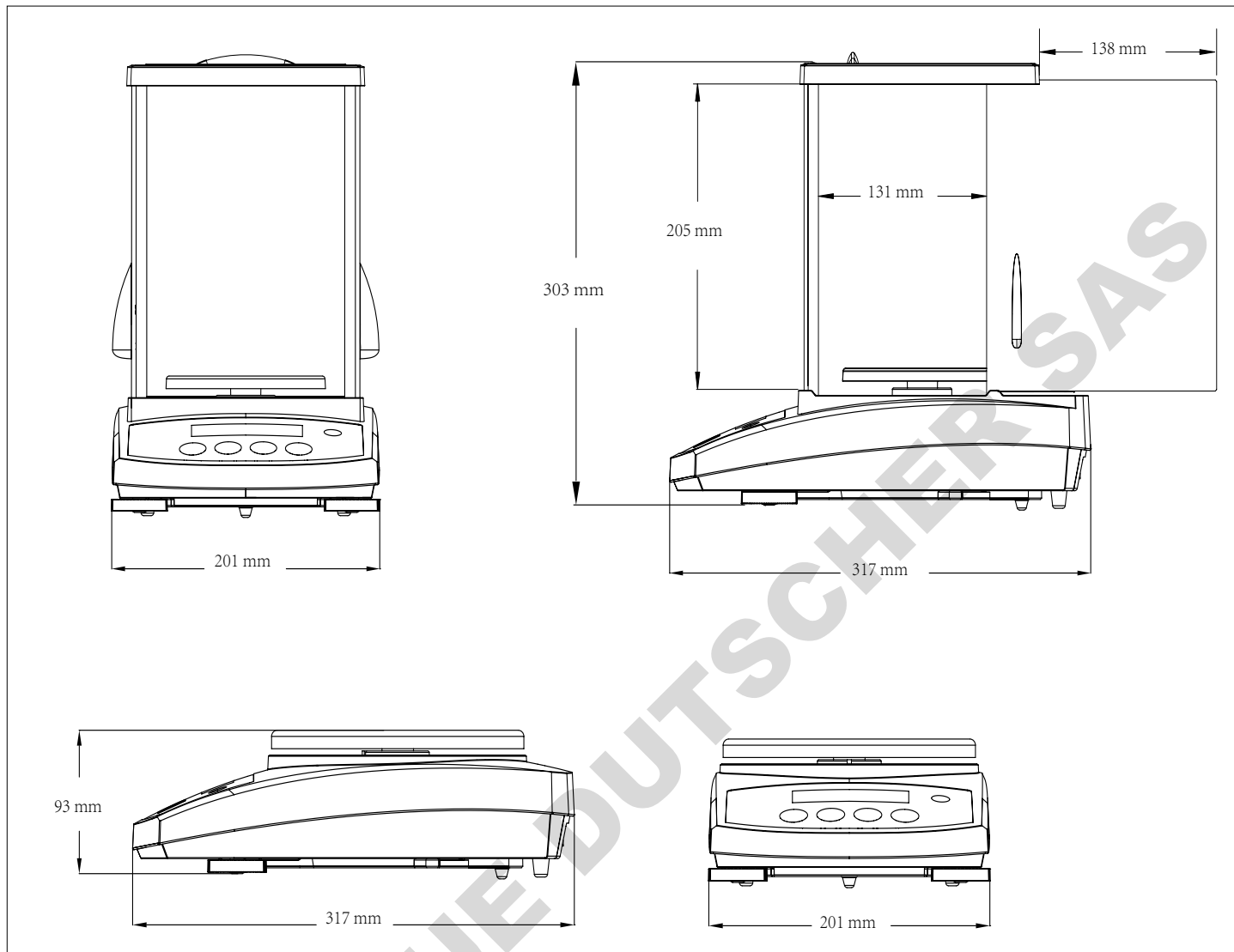
| InCal™ Model | PR1602 | PR2202 | PR4202 | PR4201 | PR6201 |
|--|---|----------|----------|----------|----------|
| ExCal Model | PR1602/E | PR2202/E | PR4202/E | PR4201/E | PR6201/E |
| Approved Model* | PR1602M | PR2202M | PR4202M | PR4201M | PR6201M |
| Capacity (g) | 1600 | 2200 | 4200 | | 6200 |
| Readability (g) | 0.01 | | | 0.1 | |
| Verification Interval (e) (g) (Approved Models) | 0.1 | | | | 1 |
| Class (Approved Models) | II | | | | |
| Repeatability (STDEV) (g) | 0.01 | | | 0.1 | |
| Linearity (g) | 0.02 | | | 0.2 | |
| Stabilization Time (s) | 1 | | | | |
| Sensitivity Temperature Drift (PPM/K) | ±6 | | ±3 | | ±10 |
| Typical Minimum Weight USP (USP, K=2, U=0.10%) | 20 g | | | 200 g | |
| Optimized Minimum Weight (USP, U=0.10%, K=2) SRP≤0.41d** | 8.2 g | | | 82 g | |
| Units | Gram, Kilogram, Ounce, Pound, Carat, Pennyweight, Ounce Troy, Newton, grain | | | | |
| Units (Approved Models) | Gram, Kilogram, Carat | | | | |
| Applications | Basic Weighing, Parts Counting, Percent Weighing | | | | |
| Pan Size (Ø) | 180 mm | | | | |
| Tare Range | To full range by subtraction | | | | |
| Power Supply | Power Input: 100 – 240V ~ 200mA 50 – 60Hz 12 – 18VA Power Output: 12 VDC 0.5A | | | | |
| Assembled Dimensions (W × D × H) | 201 × 317 × 93 mm | | | | |
| Communication | RS232 | | | | |
| Operating Temperature Range | Operating conditions for ordinary lab application: +10 to 30°C (operability guaranteed between +5 and 40°C) | | | | |
| Storage Temperature Range | Humidity: maximum relative humidity 80% for temperatures up to 30 °C, decreasing linearly to 50% relative humidity at 40 °C | | | | |
| Net Weight | 3.5 kg | | | | |
| Shipping Weight | 5 kg | | | | |
| Shipping Dimensions (W × D × H) | 550 × 385 × 291 mm | | | | |

*Approved models are all internal calibration models.

**The value for SRP is the standard deviation for n replicate weighings (n≥10)

PR SERIES Analytical and Precision Balances

Dimensions



Other Standard Features and Equipment

ABS top housing, removable stainless steel pan, glass draftshield with sliding top door, integrated weigh-below-hook, security bracket, calibration lock, user-selectable environmental filters and brightness settings, auto-tare, auto-dim, user-selectable span calibration points, software lockout and reset menu, user-selectable communication settings and data print options, user-definable project and user IDs, software overload/underload indicator, stability indicator

Compliance

- **Metrology:** OIML R76; EN 45501
- **Product Safety:** IEC/EN 61010-1; CAN/CSA C22.2 61010-1; UL 61010-1
- **Electromagnetic Compatibility:** IEC/EN 61326-1 Class B, basic environments; FCC Part 15 Class A; Canada ICES-003 Class A
- **Compliance Marks:** CE; CSA

Accessories

| | |
|--|----------|
| Auxiliary Display AD7-RS | 30472064 |
| Density Kit for Solids | 80253384 |
| Sinker Glass for Density Determination | 83034024 |
| Printer SF40A | 30064202 |
| SF40A Ink Ribbon Cassette | 12120798 |
| SF40A Paper Roll 57.5mm (2 Rolls) | 12120799 |
| Security Device | 80850043 |
| In-Use Cover | 30372547 |
| Dust Cover (for 0,1mg and 1mg models) | 30093334 |
| Stand-alone Ionizer ION-100A | 30095929 |
| RS232 Cable (9-pin) | 00410024 |

OHAUS Europe GmbH
Heuwinkelstrasse,
8606 Naenikon,
Switzerland

e-mail: ssc@ohaus.com
Tel.: 0041 22 567 53 19
e-mail: tsc@ohaus.com
Tel.: 0041 22 567 53 20

www.ohaus.com

The management system governing the manufacture of this product is ISO 9001:2015 certified.

8077257_B 20180416 © Copyright OHAUS Corporation

