

## Erlenmeyer Flask

(#73250/74250/73500/74500/73000/74000/73002/74002)

### 1. Description

SPL Life Sciences provides Erlenmeyer Flasks, suitable for animal cell and microbial suspension culture. The flask is designed to allow efficient suspension culture, provided in four different volumes, and are all sterilized before the release

### 2. Features

- ❖ Suitable for suspension cultures (Suspension adapted animal cells, bacteria, fungi, plant callus, etc.)
- ❖ Require shaking apparatus (optimization of cell seeding density and working volume is recommended, depending on the type of cell)
- ❖ Plugs & filter caps are available for all flask types
- ❖ Non-treated
- ❖ Durable & transparent polycarbonate
- ❖ Autoclavable

### 3. Functional Test

Sterility	: Passed
Cytotoxicity	: Passed
Non-Pyrogenic	: Passed
DNase/RNase-free	: Passed
DNA free	: Passed

### 4. Product Range

Cat. No.	Material (Body/Cap)	Cap Type	Total Volume (ml)	Sterile	Packaging
73250	PC / PP	Plug	250.00	+	1/8
74250	PC / PP	Filter	250.00	+	1/8
73500	PC / PP	Plug	500.00	+	1/8
74500	PC / PP	Filter	500.00	+	1/8
73000	PC / PP	Plug	1,000.00	+	1/4
74000	PC / PP	Filter	1,000.00	+	1/4
73002	PC / PP	Plug	2,000.00	+	1/6
74002	PC / PP	Filter	2,000.00	+	1/6

### 5. Certification

SPL Life Sciences hereby certifies that the product identified above, inspected to be in compliance with product quality specification and requirements as documented in our ISO 9001:2015 Quality Management System (K-QA-Q031478) in Korea.

SPL-TDS-ERL

For Research Use Only. Not intended for use in diagnostic or therapeutic procedures.  
© SPL Life Sciences Co., Ltd., Version 4, November 20<sup>th</sup>, 2018

6. Product Photographs



7. Specifications & Technical Drawing

- Specifications

	73250/74250		73500/74500		73000/74000		73002/74002	
Dimensions	Diameter <sub>bottom</sub>	83 mm	Diameter <sub>bottom</sub>	101.5mm	Diameter <sub>bottom</sub>	130mm	Diameter <sub>bottom</sub>	162mm
	Height	134.9mm	Height	175.2mm	Height	218.5mm	Height	296mm
	Filter Cap Hole: 12.5 mm							
Material (Resin)	<ul style="list-style-type: none"> <li>▪ Body: Polycarbonate (PC)</li> <li>▪ Cap: Polypropylene (PP)</li> </ul>							
Packaging	<ul style="list-style-type: none"> <li>▪ Pieces/Sleeve: 1</li> <li>▪ Pieces/Case: 8</li> </ul>			<ul style="list-style-type: none"> <li>▪ Pieces/Sleeve: 1</li> <li>▪ Pieces/Case: 4</li> </ul>		<ul style="list-style-type: none"> <li>▪ Pieces/Sleeve: 1</li> <li>▪ Pieces/Case: 6</li> </ul>		

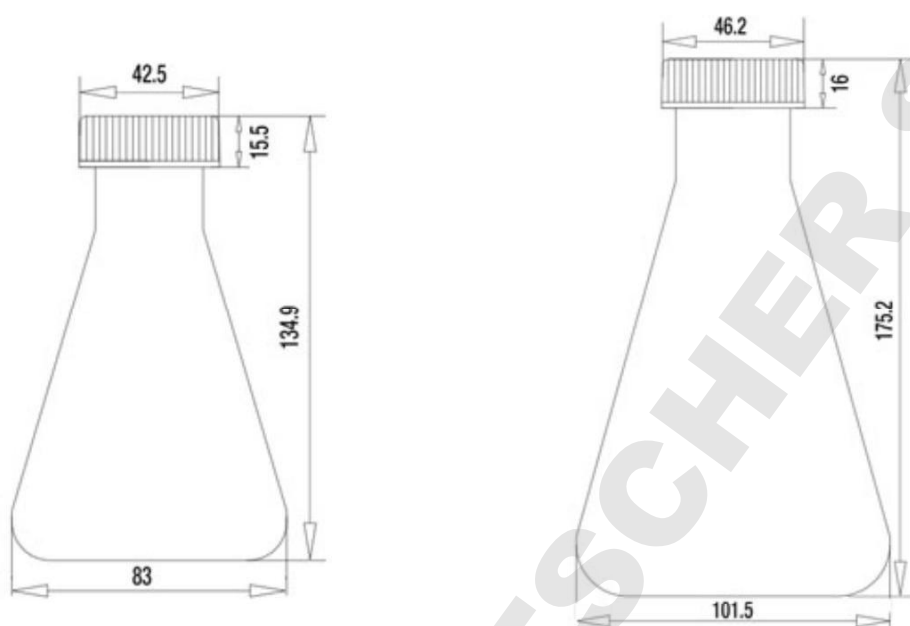
SPL-TDS-ERL

For Research Use Only. Not intended for use in diagnostic or therapeutic procedures.  
 © SPL Life Sciences Co., Ltd., Version 4, November 20<sup>th</sup>, 2018

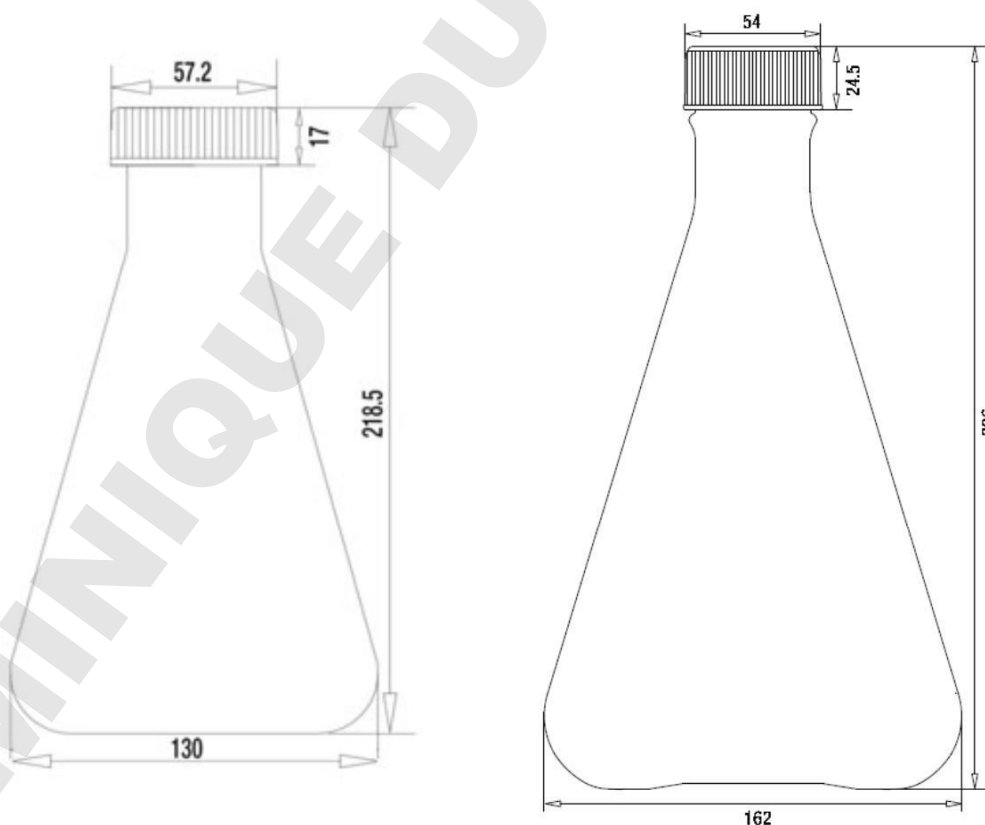


- Technical Drawing

Cat. No. 73250/74250 Cat. No. 73500/74500



Cat. No. 73000/74000 Cat. No. 73002/74002

[www.spllifesciences.com](http://www.spllifesciences.com)

For technical assistance, contact SPL R&D Center at:  
 Tel: +82-31-533-4800; Fax: +82-31-533-1430; e-mail: [spl@ispl.co.kr](mailto:spl@ispl.co.kr)  
 To place an order, contact your local distributor or  
 Tel: +82-31-533-4800; Fax: +82-31-533-1430; e-mail: [business@ispl.co.kr](mailto:business@ispl.co.kr)

SPL-TDS-ERL

*For Research Use Only. Not intended for use in diagnostic or therapeutic procedures.*  
 © SPL Life Sciences Co., Ltd., Version 4, November 20<sup>th</sup>, 2018