

Partition Petri Dish

(#10092/10192/10292/10094)

1. Description

Partition Petri Dishes are designed for experiments that require multiple cell or medium types in a single dish. SPL Life Sciences provides 2-zoned Bi-Petri Dishes and 3-zoned Tri-Petri Dishes to meet various needs.

2. Features

- ❖ BI Petri Dishes with height partitions of 2.7, 5.0, 7.0mm (Cat. No. 10092, 10192, 10292)
- ❖ Tri Petri Dish with height partition of 8.0 mm (Cat. No. 10094)

3. Product Range

Cat.No.	Material	Dish Style d x h (mm)	Internal Dimension d x h (mm)	Height Partition (mm)	Growth Area (cm ²)	External Grip	Sterile	Packaging
10092	PS	90.00 x 15.00	85.90 x 12.60	2.7	28.84	-	+	20 / 500
10192	PS	90.00 x 15.00	85.90 x 12.60	5.0	28.84	-	+	20 / 500
10292	PS	90.00 x 15.00	85.90 x 12.60	7.0	28.84	-	+	20 / 500
10094	PS	90.00 x 15.00	85.90 x 12.60	8.0	19.23	-	+	20 / 500

4. Certification

SPL Life Sciences hereby certifies that the product identified above, inspected to be in compliance with product quality specification and requirements as documented in our ISO 9001:2015 Quality Management System (K-QA-Q031478) in Korea.

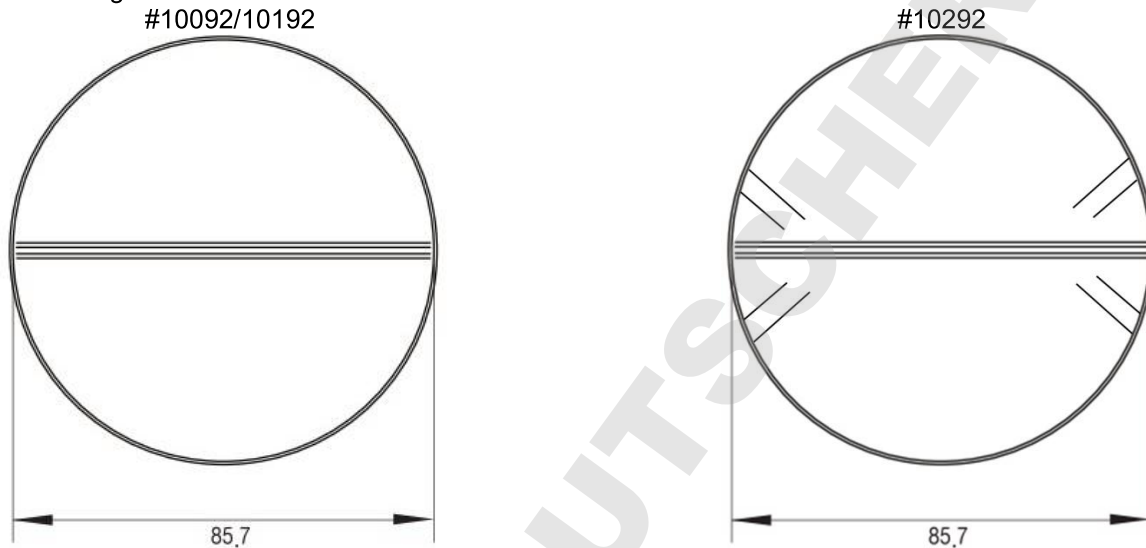
5. Specifications & Technical Drawing

(1) Petri Dish Ø90 Bi Plate (#10092/10192/10292)

- Specifications

Dimensions		Material (Resin)	Packaging
Lid	Dish		
Diameter _{Outer} : 93.10 mm Diameter _{Inner} : 91.20 mm Height: 9.30 mm	Diameter _{Outer} : 87.79 mm Diameter _{Inner} : 85.70 mm Height: 13.90 mm Growth Area: 28.84 cm ²	Crystal-grade polystyrene (PS)	<ul style="list-style-type: none"> ▪ Pieces/Sleeve: 20 ▪ Pieces/Case: 500

- Technical Drawing

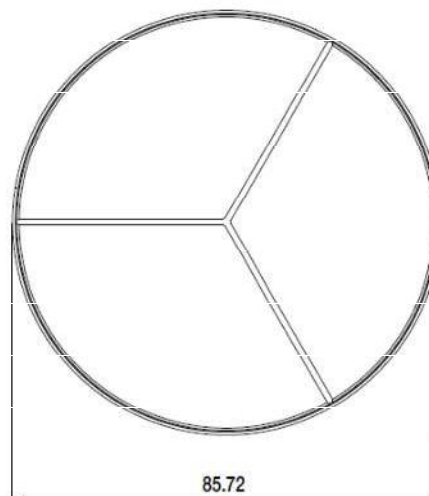


(2) Petri Dish Ø90 Tri Petri Dish (#10094)

- Specifications

Dimensions		Material (Resin)	Packaging
Lid	Dish		
Diameter _{Outer} : 93.10 mm Diameter _{Inner} : 91.20 mm Height: 9.30 mm	Diameter _{Outer} : 87.79 mm Diameter _{Inner} : 85.72 mm Height: 13.90 mm Growth Area: 19.23 cm ²	Crystal-grade polystyrene (PS)	<ul style="list-style-type: none"> ▪ Pieces/Sleeve: 20 ▪ Pieces/Case: 500

- Technical Drawing



www.spllifesciences.com

For technical assistance, contact SPL R&D Center at:

Tel: +82-31-533-4800; Fax: +82-31-533-1430; e-mail: spl@ispl.co.kr

To place an order, contact your local distributor or

Tel: +82-31-533-4800; Fax: +82-31-533-1430; e-mail: business@ispl.co.kr

SPL-TDS-PPD

For Research Use Only. Not intended for use in diagnostic or therapeutic procedures.
© SPL Life Sciences Co., Ltd., Version 2, November 22th, 2018