

Spheroid Dish

(#110350/11350)

1. Description

SPL Spheroid Dish is designed to easily count spheroids. Internal meshes of the dish allow separation of spheroids and can be counted. Also, after counting, spheroids can be easily collected.

2. Features

- ❖ Mesh material: Polyester
- ❖ Mesh thickness: 137 µm
- ❖ Mesh pore size : 200 µm
- ❖ Non-treated

3. Product Range

Cat.No.	Material (Dish / Mesh)	Dish Style d x h (mm)	Internal Well Dimension d x h (mm)	Low Binding Treatment	Sterile	Packaging
110350	PS / PE	35.00 x 10.00	13.00 x 1.00	-	+	3 / 15
111350	PS / PE	35.00 x 10.00	25.00 x 1.00	+	+	3 / 15

4. Certification

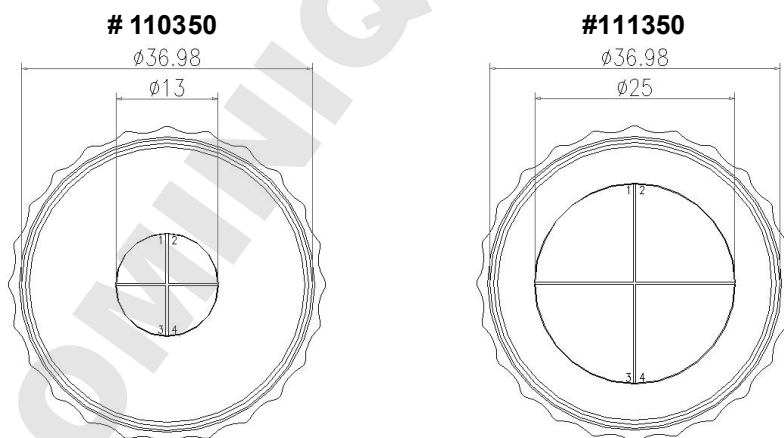
SPL Life Sciences hereby certifies that the product identified above, inspected to be in compliance with product quality specification and requirements as documented in our ISO 9001:2015 Quality Management System (K-QA-Q031478) in Korea.

5. Specifications & Technical Drawing

- Specifications

Lid	Dimensions			Material (Resin)	Packaging
	Dish	Inner Well			
Diameter _{Outer} : 40.30 mm Diameter _{Inner} : 39.00 mm Height: 6.00 mm	Diameter _{Grip} : 40.30 mm Diameter _{Outer} : 36.14 mm Diameter _{Inner} : 36.98 mm Height: 10.90 mm	#110350: 13 Ø #111350: 25 Ø	Crystal-grade polystyrene (PS) Polyester Mesh	▪ Pieces/Sleeve: 3 ▪ Pieces/Case: 15	

- Technical Drawing



www.spllifesciences.com

For technical assistance, contact SPL R&D Center at:

Tel: +82-31-533-4800; Fax: +82-31-533-1430; e-mail: spl@ispl.co.kr

To place an order, contact your local distributor or

Tel: +82-31-533-4800; Fax: +82-31-533-1430; e-mail: business@ispl.co.kr

SPL-TDS-SPD

For Research Use Only. Not intended for use in diagnostic or therapeutic procedures.
© SPL Life Sciences Co., Ltd., Version 1, December 4th, 2018