

SPLInsert™ Spheroid Forming Unit (#911604)

1. Description

SPL Life Sciences has released a new 3D product line, Spheroid Forming Unit (SFU). SFU is designed to facilitate the generation of spheroids and size-up of the generated spheroids.

The SFU cap is a ventilating cap with a hydrophobic filter membrane, making it easier to supply the required gas during cell culture.

2. Features

- ❖ Membrane thickness : 68 µm
- ❖ Pore size : 65 µm
- ❖ Dial type cap to control ventilation
- ❖ 0.2 µm PTFE filter membrane

3. Functional Test

Sterility	:	Passed
Cytotoxicity	:	Passed
Non-Pyrogenic	:	Passed
RNase/DNase Free	:	Passed

4. Product Specification

Cat.No.	Material (Body / Cap / Filter / Dial / Mesh)	External Dimension d x h (mm)	Total Volume (ml)	Pore size (µm)	Sterile	Packaging
911604	PP / HDPE / PTFE / PP / PET	17.00 x 120.00	15.00	65.00	+	3/90

5. Certification

SPL Life Sciences hereby certifies that the product identified above, inspected to be in compliance with product quality specification and requirements as documented in our ISO 9001:2015 Quality Management System (K-QA-Q031478) in Korea.

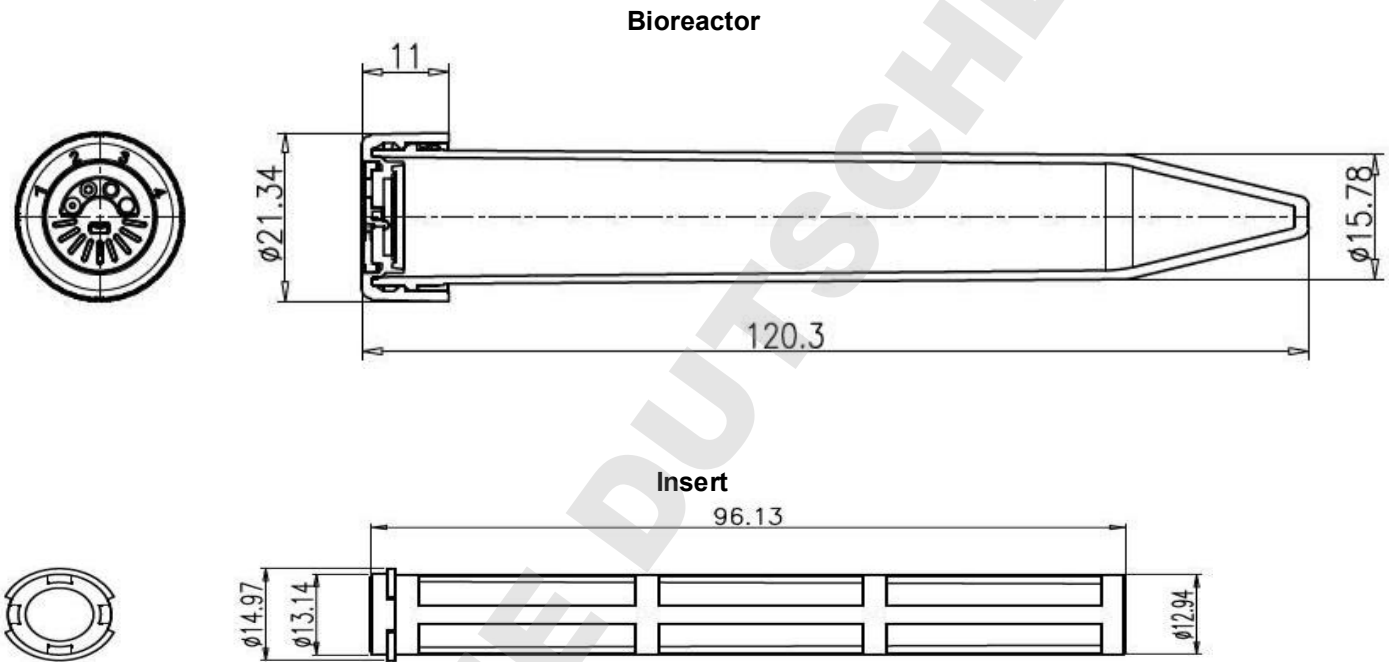
6. Specifications & Technical Drawing

Spheroid Forming Unit (911604)

- Specifications

Cap		Dimensions Body		Insert		Material (Resin)	Packaging
Cap Diameter	21.34 mm	Diameter	15.78 mm	Diameter _{Grid} :	14.97 mm	<ul style="list-style-type: none"> ▪ Body: Polypropylene ▪ Cap: High Density Polyethylene ▪ Dial: Polystyrene ▪ Insert: PET 	<ul style="list-style-type: none"> ▪ Pieces/Sleeve: 3 ▪ Pieces/Case: 90
Height:	11.00 mm	Height:	120.30 mm	Diameter _{Top} :	13.14 mm		
				Diameter _{Bottom} :	12.94 mm		
				Height:	8.50 mm		

- Technical Drawing



www.spllifesciences.com

For technical assistance, contact SPL R&D Center at:
 Tel: +82-31-533-4800; Fax: +82-31-533-1430; e-mail: spl@ispl.co.kr
 To place an order, contact your local distributor or
 Tel: +82-31-533-4800; Fax: +82-31-533-1430; e-mail: business@ispl.co.kr