

SPL 3D™ Cell Floater Flask (#711025/711075)

1. Description

SPL Life Sciences provides a new culture vessel that provides an optimized environment for 3D cell culture. The culture vessel, which is effective for the formation of spheroids of animal cells, does not require any special incubation techniques, and thus 3D cell culture can easily be implemented in the same way as conventional 2D culture.

2. Features

- ❖ Low cell attachment
- ❖ Shelf life: 3 years at 25°C

3. Product Range

Cat.No.	Cap Type	Growth Area (cm ²)	Working Volume (ml)	Packaging
711025	Filter	25.00	7.00	5 / 10
711075	Filte	75.00	25.00	1/3

4. Certification

SPL Life Sciences hereby certifies that the product identified above, inspected to be in compliance with product quality specification and requirements as documented in our ISO 9001:2015 Quality Management System (K-QA-Q031478) in Korea.

SPL-TDS-FIBRO

For Research Use Only. Not intended for use in diagnostic or therapeutic procedures.
© SPL Life Sciences Co., Ltd., Version 2, November 20th, 2018

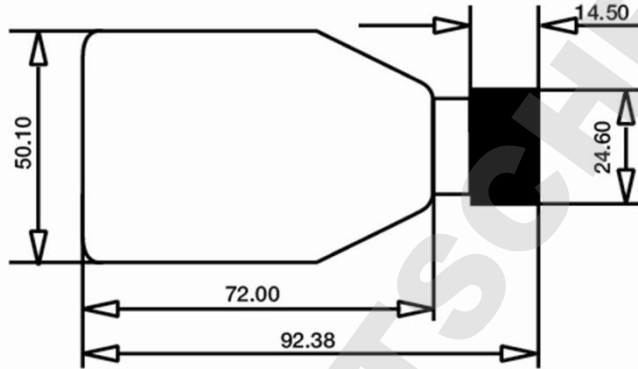


5. Specifications & Technical Drawing

(1) 25T Cell Culture Flask (#711025)
 - Specifications

Dimensions		Material (Resin)	Packaging
Cap	Body		
Width: 24.60mm Height: 14.50mm	Length: 72.00mm Width: 50.10mm Height: 27.60mm	Crystal-grade polystyrene (PS)	<ul style="list-style-type: none"> ▪ Pieces/Sleeve: 5 ▪ Pieces/Case: 10
Total Volume: Growth Area:	60.00ml 25.00cm ²		

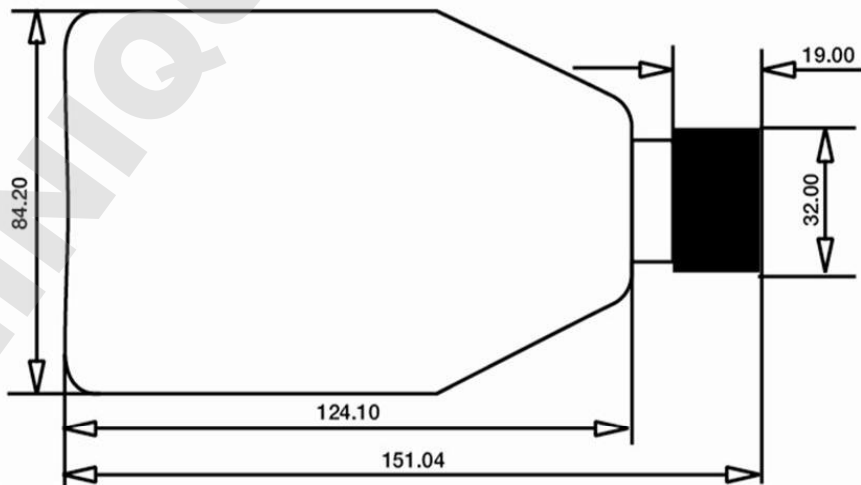
- Technical Drawing



(2) 75T Cell Culture Flask (#711075)
 - Specifications

Dimensions		Material (Resin)	Packaging
Cap	Body		
Width: 30.00mm Height: 19.00mm	Length: 124.10mm Width: 84.20mm Height: 39.60mm	Crystal-grade polystyrene (PS)	<ul style="list-style-type: none"> ▪ Pieces/Sleeve: 1 ▪ Pieces/Case: 3
Volume per Flask: Growth Area:	250.00ml 75.00cm ²		

- Technical Drawing



www.spllifesciences.com

For technical assistance, contact SPL R&D Center at:
 Tel: +82-31-533-4800; Fax: +82-31-533-1430; e-mail: spl@ispl.co.kr
 To place an order, contact your local distributor or
 Tel: +82-31-533-4800; Fax: +82-31-533-1430; e-mail: business@ispl.co.kr

SPL-TDS-FIBRO