

SPL 3D™ Cell Floater Flask (#711025/711075)

1. Description

SPL Life Sciences provides a new culture vessel that provides an optimized environment for 3D cell culture. The culture vessel, which is effective for the formation of spheroids of animal cells, does not require any special incubation techniques, and thus 3D cell culture can easily be implemented in the same way as conventional 2D culture.

2. Features

- ❖ Low cell attachment
- ❖ Shelf life: 3 years at 25°C

3. Product Range

Cat.No.	Cap Type	Growth Area (cm ²)	Working Volume (ml)	Packaging
711025	Filter	25.00	7.00	5 / 10
711075	Filter	75.00	25.00	1/3

4. Certification

SPL Life Sciences hereby certifies that the product identified above, inspected to be in compliance with product quality specification and requirements as documented in our ISO 9001:2015 Quality Management System (K-QA-Q031478) in Korea.

SPL-TDS-FIBRO

For Research Use Only. Not intended for use in diagnostic or therapeutic procedures.
© SPL Life Sciences Co., Ltd., Version 2, November 20th, 2018



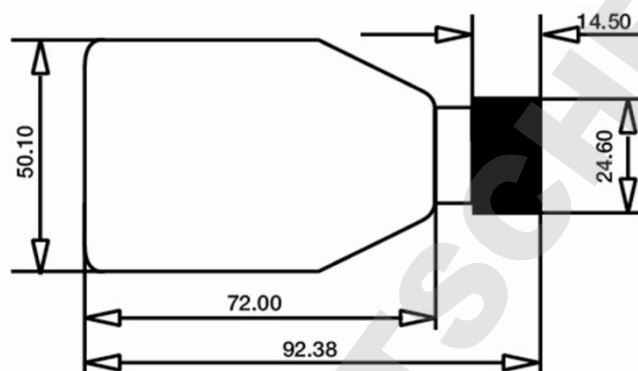
5. Specifications & Technical Drawing

(1) 25T Cell Culture Flask (#711025)

- Specifications

Dimensions		Material (Resin)	Packaging
Cap	Body		
Width:	24.60mm	Crystal-grade polystyrene (PS)	<ul style="list-style-type: none"> ▪ Pieces/Sleeve: 5 ▪ Pieces/Case: 10
Height:	14.50mm		
Total Volume:	60.00ml		
Growth Area:	25.00cm ²		

- Technical Drawing

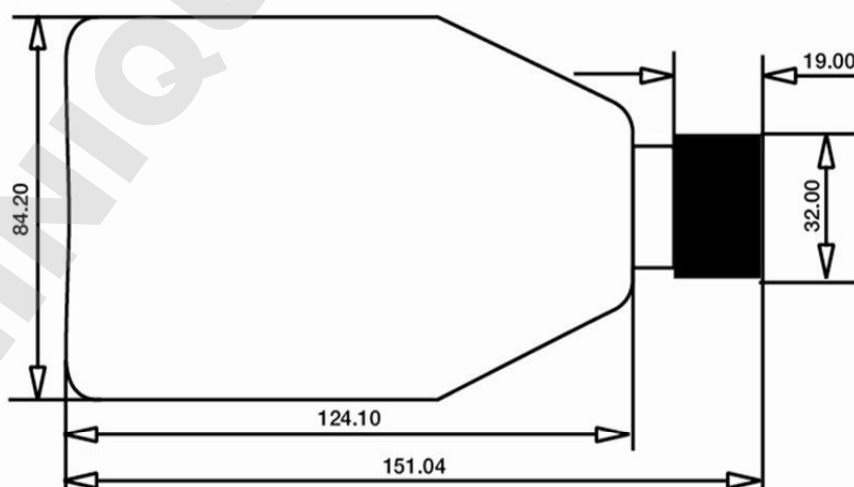


(2) 75T Cell Culture Flask (#711075)

- Specifications

Dimensions		Material (Resin)	Packaging
Cap	Body		
Width:	30.00mm	Crystal-grade polystyrene (PS)	<ul style="list-style-type: none"> ▪ Pieces/Sleeve: 1 ▪ Pieces/Case: 3
Height:	19.00mm		
Volume per Flask:	250.00ml		
Growth Area:	75.00cm ²		

- Technical Drawing



www.spllifesciences.com

For technical assistance, contact SPL R&D Center at:

Tel: +82-31-533-4800; Fax: +82-31-533-1430; e-mail: spl@ispl.co.kr

To place an order, contact your local distributor or

Tel: +82-31-533-4800; Fax: +82-31-533-1430; e-mail: business@ispl.co.kr

SPL-TDS-FIBRO