

SPL 3D™ Cell Floater Plate

(#39706/39724/39796/34896)

1. Description

SPL Life Sciences provides a new culture vessel that provides an optimized environment for 3D cell culture. The culture vessel, which is effective for the formation of spheroids of animal cells, does not require any special incubation techniques, and thus 3D cell culture can easily be implemented in the same way as conventional 2D culture.

2. Features

- ❖ Low cell attachment
- ❖ Shelf life: 3 years at 25°C

3. Product Range

Cat. No.	Plate Type	External Dimension w x l x h (mm)	Well Dimension d x h (mm)	Growth Area (cm ²)	Working Volume (ml)	Packaging
39706	6well	85.40 x 127.60 x 20.20	35.00 x 17.50	9.60	3.00	1 / 5
39724	24well	85.40 x 127.60 x 20.20	15.50 x 17.50	1.90	1.00	1 / 5
39796	96well Flat	85.40 x 127.60 x 14.40	6.92 x 10.80	0.33	0.20	1 / 5
34896	96well Round	85.40 x 127.60 x 14.40	6.92 x 11.00	0.66	0.20	1 / 5

4. Certification

SPL Life Sciences hereby certifies that the product identified above, inspected to be in compliance with product quality specification and requirements as documented in our ISO 9001:2015 Quality Management System (K-QA-Q031478) in Korea.

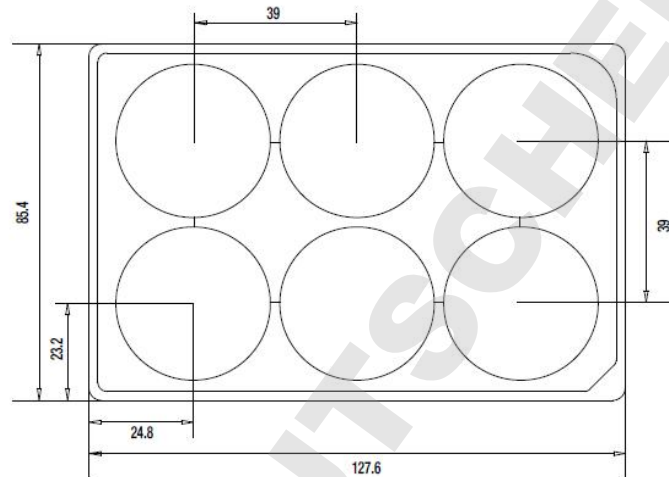
5. Specifications & Technical Drawing

(1) 6 Well Plate (# 39706)

- Specifications

Dimensions		Material (Resin)	Packaging
Lid	Body		
Length	127.10 mm	Crystal-grade polystyrene (PS)	<ul style="list-style-type: none"> ▪ Pieces/Sleeve: 1 ▪ Pieces/Case: 5
Width	84.90 mm		
Height:	10.00 mm		
Volume per Well	3.00 ml		
Growth Area	9.60 cm ²		
	Length	127.60 mm	
	Width	85.40 mm	
	Height	20.20 mm	
	Well Dimension	35.00 mm	

- Technical Drawing

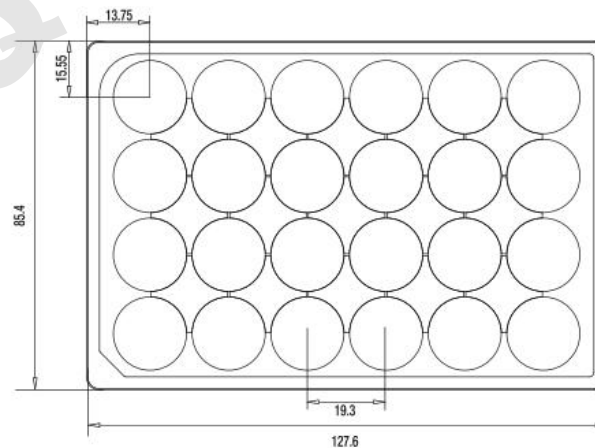


(2) 24 Well Plate (# 39724)

- Specifications

Dimensions		Material (Resin)	Packaging
Lid	Body		
Length	127.10 mm	Crystal-grade polystyrene (PS)	<ul style="list-style-type: none"> ▪ Pieces/Sleeve: 1 ▪ Pieces/Case: 5
Width	84.90 mm		
Height:	10.00 mm		
Volume per Well	1.00 ml		
Growth Area	1.90 cm ²		
	Length	127.60 mm	
	Width	85.40 mm	
	Height	20.20 mm	
	Well Dimension	15.60 mm	

- Technical Drawing



SPL-TDS-COL4

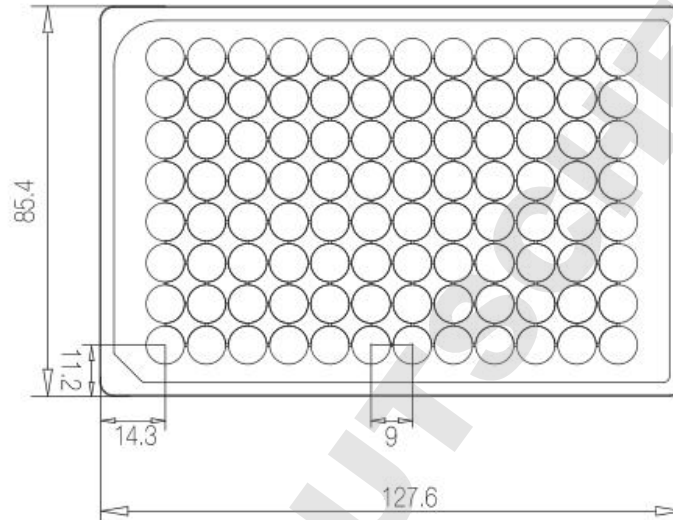
(3) 96 Well Plate (# 39796/34896)

- Specifications

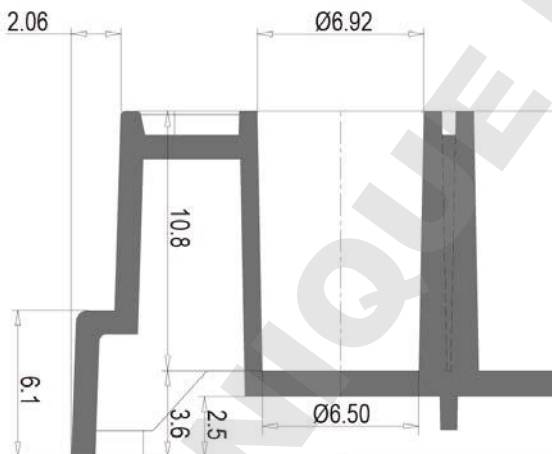
Dimensions		Material (Resin)	Packaging	
Lid	Body			
Length	127.10 mm	Crystal-grade polystyrene (PS)	<ul style="list-style-type: none"> ▪ Pieces/Sleeve: 1 ▪ Pieces/Case: 5 	
Width	84.90 mm			
Height:	10.00 mm			
	Well Dimension			6.40 mm
Volume per Well	0.20 ml			
Growth Area	0.33 – 0.66 cm ²			

- Technical Drawing

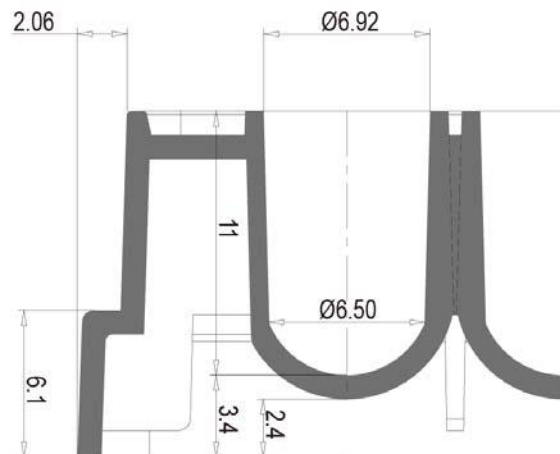
Plate



Flat Bottom



Round Bottom



www.spllifesciences.com

For technical assistance, contact SPL R&D Center at:

Tel: +82-31-533-4800; Fax: +82-31-533-1430; e-mail: spl@ispl.co.kr

To place an order, contact your local distributor or

Tel: +82-31-533-4800; Fax: +82-31-533-1430; e-mail: business@ispl.co.kr

SPL-TDS-COL4

For Research Use Only. Not intended for use in diagnostic or therapeutic procedures.
© SPL Life Sciences Co., Ltd., Version 2, November 20th, 2018