

## Immunoplate

(#32296/32396/32496/32596/32696/32796)

### 1. Description

SPL Life Sciences manufactures microplates for diagnostics and immunological researches. SPL provides researchers with a variety of microplates dedicated to the immunoassay.

- **Maxibinding** : Modified polystyrene surface for higher binding capacity for proteins and other molecules with both hydrophilic and hydrophobic regions. (Recommended for most ELISA experiments)
- **Medibinding** : Surface adsorbs proteins and molecules that consists of intermediate hydrophobic and hydrophilic properties. (Antigen/Antibody ELISA; More hydrophobic compared to Maxibinding Plates)
- **Unibinding** : Suitable for adsorption of hydrophobic molecules. (Antigen ELISA)
- **Multibinding** : Suitable specifically for adsorbing hydrophilic molecules. (Antigen ELISA)

### 2. Features

- ❖ Plate type (96well per plate)
- ❖ No Lid • 2 type bottom: Flat or Round
- ❖ Developed for immunoassay(ELISA) and general binding assay
- ❖ Uniform surface homogeneity
- ❖ Raised rims on the wells
- ❖ Alphanumeric labeling
- ❖ Designed for easy handling and automation

### 3. Product Range

Cat.No.	Material	Bottom Type	Surface Type	External Dimension W x L x h (mm)	Bottom Surface Area( $\text{cm}^2$ )	Total Vol.( $\mu\text{l}$ )	Working Vol.( $\mu\text{l}$ )	Packaging
32296	PS	Flat	Maxibinding	85.4 x 127.6 x 14.4	0.33	400	350	10 / 100
32396	PS	Flat	Medibinding	85.4 x 127.6 x 14.4	0.33	400	350	10 / 100
32496	PS	Flat	Unibinding	85.4 x 127.6 x 14.4	0.33	400	350	10 / 100
32596	PS	Flat	Multibinding	85.4 x 127.6 x 14.4	0.33	400	350	10 / 100
32696	PS	Round	Maxibinding	85.4 x 127.6 x 14.4	0.66	400	350	10 / 100
32796	PS	Round	Unibinding	85.4 x 127.6 x 14.4	0.66	400	350	10 / 100

### 4. Certification

SPL Life Sciences hereby certifies that the product identified above, inspected to be in compliance with product quality specification and requirements as documented in our ISO 9001:2015 Quality Management System (K-QA-Q031478) in Korea.

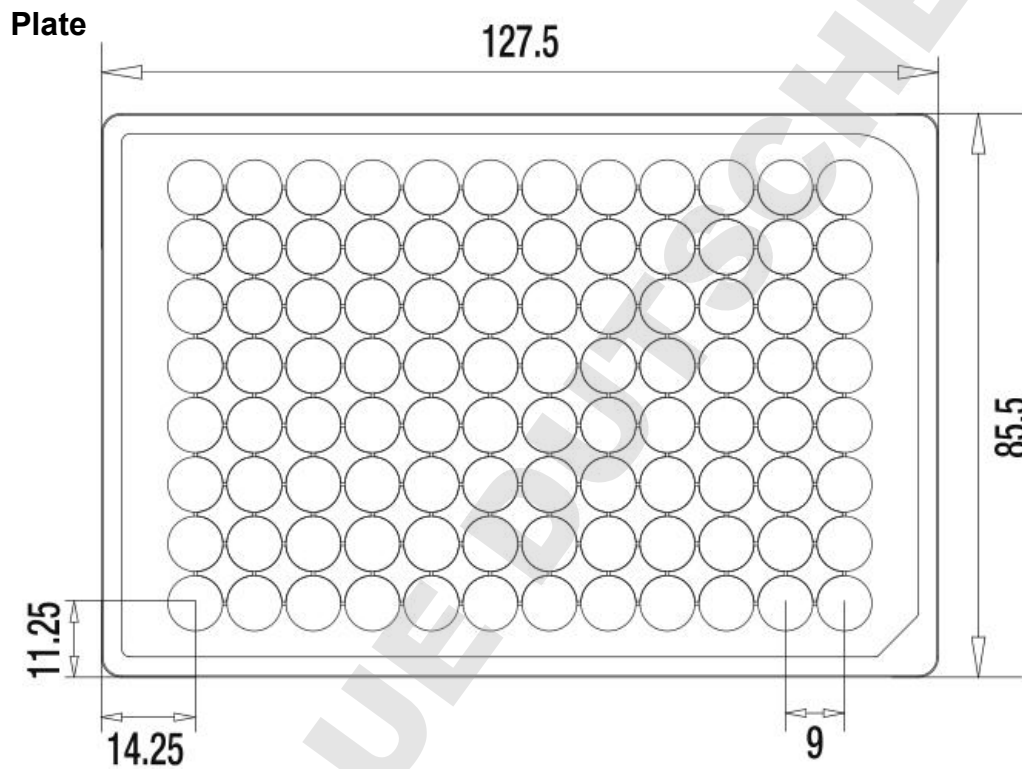
## 5. Specifications & Technical Drawing

(1) Immunoplate (Flat bottom, Cat. No. 32296, 32396, 32496, 32596)

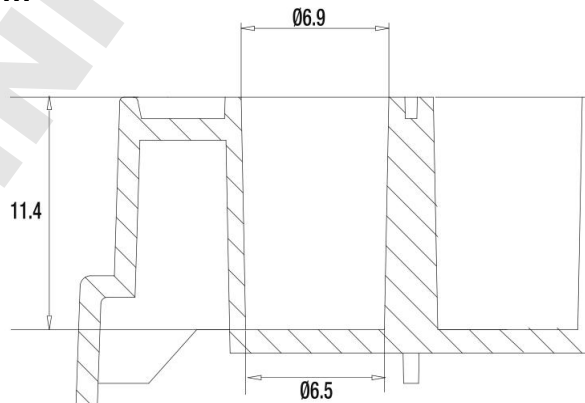
### - Specifications

Lid		Dimensions Plate		Well		Material (Resin)	Packaging
Length:	85.40 mm	Length:	85.40 mm	Diameter:	6.50 mm		
Width:	127.60 mm	Width:	127.60 mm	Depth:	11.40 mm		
Height:	9.00 mm	Height:	14.40 mm	Center to Center:	9.00 mm		
		Growth Area:	9.60 cm <sup>2</sup>				

### - Technical Drawing



### Flat Bottom



SPL-TDS-IMP

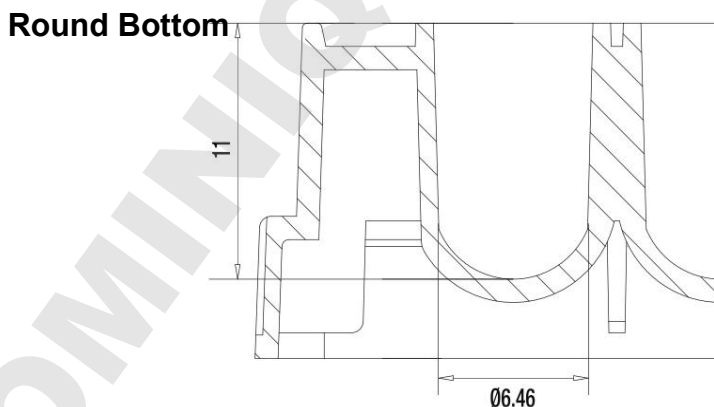
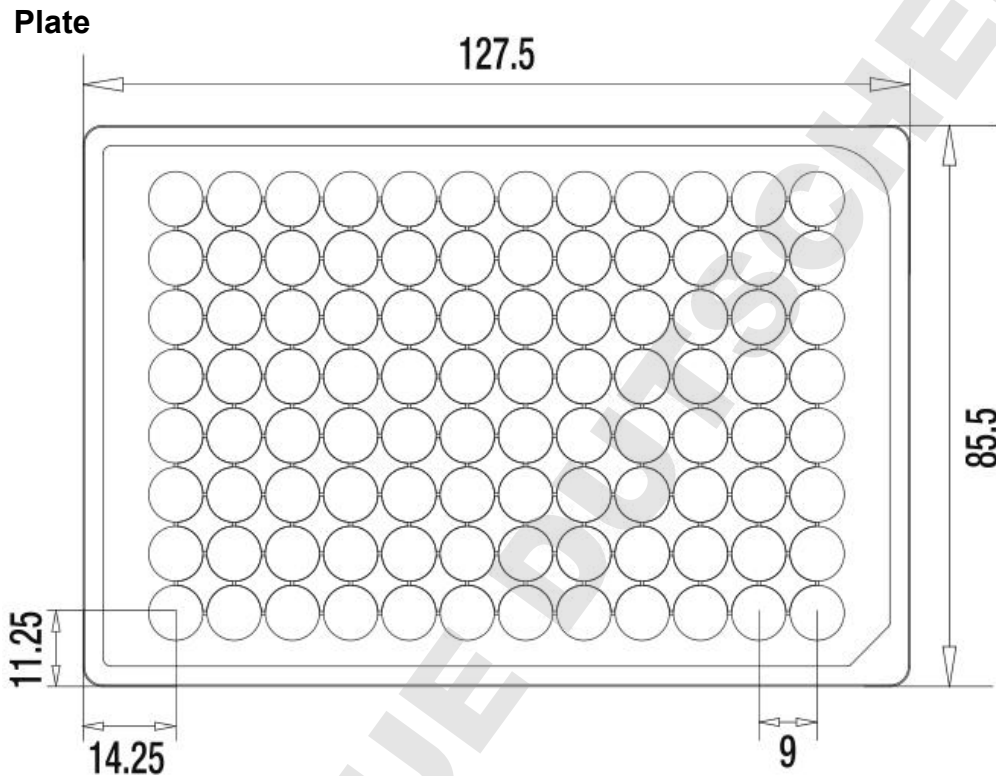
For Research Use Only. Not intended for use in diagnostic or therapeutic procedures.  
© SPL Life Sciences Co., Ltd., Version 4, November 20<sup>th</sup>, 2018

(2) Immunoplate (Round bottom, Cat. No. 32696, 32796)

- Specifications

Lid		Dimensions		Well		Material (Resin)	Packaging
		Plate					
Length:	85.40 mm	Length:	85.40 mm	Diameter:	6.46 mm	Crystal-grade polystyrene (PS)	<ul style="list-style-type: none"> <li>• Pieces/Sleeve: 10</li> <li>• Pieces/Case: 100</li> </ul>
Width:	127.60 mm	Width:	127.60 mm	Depth:	11.00 mm		
Height:	9.00 mm	Height:	14.40 mm	Center to Center:	9.00 mm		
		Growth Area:	9.60 cm <sup>2</sup>				

- Technical Drawing



[www.spllifesciences.com](http://www.spllifesciences.com)

For technical assistance, contact SPL R&D Center at:

Tel: +82-31-533-4800; Fax: +82-31-533-1430; e-mail: [spl@ispl.co.kr](mailto:spl@ispl.co.kr)

To place an order, contact your local distributor or

Tel: +82-31-533-4800; Fax: +82-31-533-1430; e-mail: [business@ispl.co.kr](mailto:business@ispl.co.kr)

SPL-TDS-IMP

For Research Use Only. Not intended for use in diagnostic or therapeutic procedures.  
© SPL Life Sciences Co., Ltd., Version 4, November 20<sup>th</sup>, 2018