

Cell Scraper

(#90020, 90021, 90030, 90031)

1. Description

Cell Scrapers are specially designed to facilitate the collection of attached cells on culture dishes, flasks, or plates. Sterilization and individual packing eliminate possible chances of contamination during cell culture and scraper handling.

2. Features

- ❖ Ideal for the manual harvesting of cells
- ❖ Soft Blade, made of LDPE, for gentle collection of cells without damages
- ❖ Available in 2 different width types: 13 or 20mm

3. Functional Test

Sterilized	:	Passed
Cytotoxicity	:	Passed
Non-Pyrogenic	:	Passed
RNase/DNase free	:	Passed
DNA free	:	Passed

4. Product Range

Cat. No.	Material (Handle / Blade)	Length (mm)	Blade Width (mm)	Sterile	Packaging
90020	PS / LDPE	237.00	13.00	+	1 / 100
90021	PS / LDPE	237.00	13.00	+	1 / 100
90030	PS / LDPE	300.00	20.00	+	1 / 100
90031	PS / LDPE	300.00	20.00	+	1 / 100

5. Certification

SPL Life Sciences hereby certifies that the product identified above, inspected to be in compliance with product quality specification and requirements as documented in our ISO 9001:2015 Quality Management System (K-QA-Q031478) in Korea.

6. Product Photographs



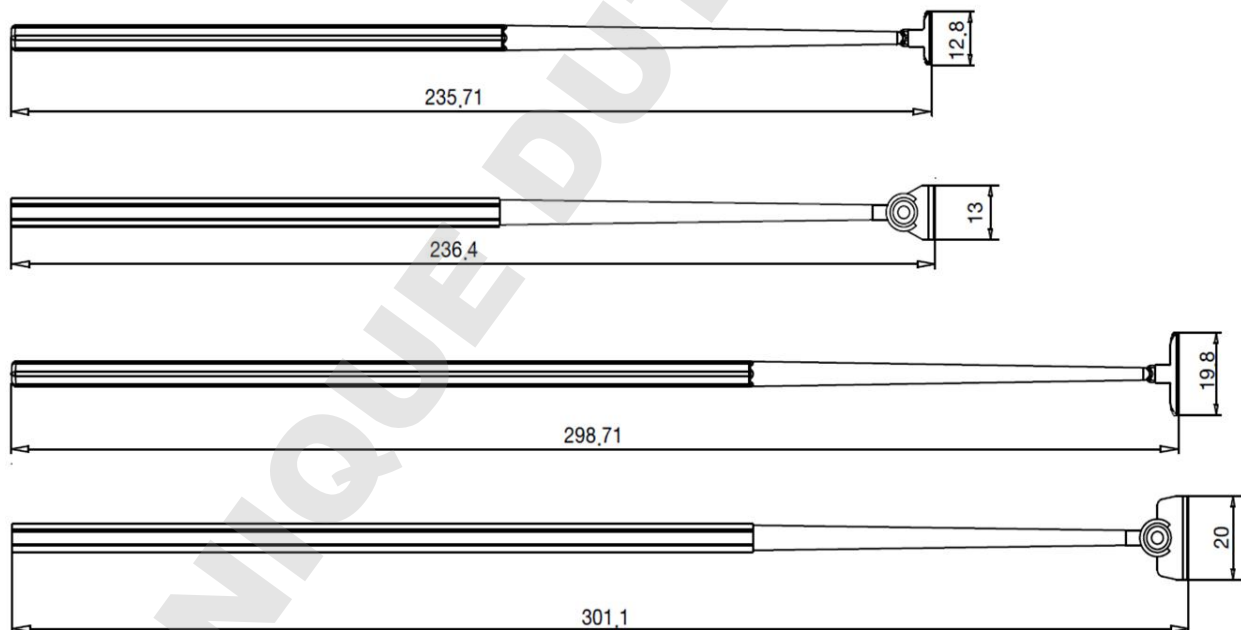
SPL-TDS-SCRP

For Research Use Only. Not intended for use in diagnostic or therapeutic procedures.
© SPL Life Sciences Co., Ltd., Version 3, November 20th, 2018

(1) Cell Scarper
- Specifications

	Dimensions	Material (Resin)	Packaging
90020	Length Blade Width 235.71 mm 12.8mm	<ul style="list-style-type: none"> ▪ Handle: Polystyrene (PS) ▪ Blade: Low Density Polyethylene (LDPE) 	<ul style="list-style-type: none"> ▪ Pieces/Sleeve: 1 ▪ Pieces/Case: 100
90021	Length Blade Width 236.4 mm 13mm	<ul style="list-style-type: none"> ▪ Handle: Polystyrene (PS) ▪ Blade: Low Density Polyethylene (LDPE) 	<ul style="list-style-type: none"> ▪ Pieces/Sleeve: 1 ▪ Pieces/Case: 100
90030	Length Blade Width 298.71 mm 19.8mm	<ul style="list-style-type: none"> ▪ Handle: Polystyrene (PS) ▪ Blade: Low Density Polyethylene (LDPE) 	<ul style="list-style-type: none"> ▪ Pieces/Sleeve: 1 ▪ Pieces/Case: 100
90031	Length Blade Width 301.1 mm 20mm	<ul style="list-style-type: none"> ▪ Handle: Polystyrene (PS) ▪ Blade: Low Density Polyethylene (LDPE) 	<ul style="list-style-type: none"> ▪ Pieces/Sleeve: 1 ▪ Pieces/Case: 100

- Technical Drawing



www.spllifesciences.com

For technical assistance, contact SPL R&D Center at:

Tel: +82-31-533-4800; Fax: +82-31-533-1430; e-mail: spl@ispl.co.kr

To place an order, contact your local distributor or

Tel: +82-31-533-4800; Fax: +82-31-533-1430; e-mail: business@ispl.co.kr

SPL-TDS-SCRP

For Research Use Only. Not intended for use in diagnostic or therapeutic procedures.
© SPL Life Sciences Co., Ltd., Version 3, November 20th, 2018