

## Cell Scraper

(#90020, 90021, 90030, 90031)

### 1. Description

Cell Scrapers are specially designed to facilitate the collection of attached cells on culture dishes, flasks, or plates. Sterilization and individual packing eliminate possible chances of contamination during cell culture and scraper handling.

### 2. Features

- ❖ Ideal for the manual harvesting of cells
- ❖ Soft Blade, made of LDPE, for gentle collection of cells without damages
- ❖ Available in 2 different width types: 13 or 20mm

### 3. Functional Test

|                  |   |        |
|------------------|---|--------|
| Sterilized       | : | Passed |
| Cytotoxicity     | : | Passed |
| Non-Pyrogenic    | : | Passed |
| RNase/DNase free | : | Passed |
| DNA free         | : | Passed |

### 4. Product Range

| Cat. No. | Material<br>(Handle / Blade) | Length (mm) | Blade Width (mm) | Sterile | Packaging |
|----------|------------------------------|-------------|------------------|---------|-----------|
| 90020    | PS / LDPE                    | 237.00      | 13.00            | +       | 1 / 100   |
| 90021    | PS / LDPE                    | 237.00      | 13.00            | +       | 1 / 100   |
| 90030    | PS / LDPE                    | 300.00      | 20.00            | +       | 1 / 100   |
| 90031    | PS / LDPE                    | 300.00      | 20.00            | +       | 1 / 100   |

### 5. Certification

SPL Life Sciences hereby certifies that the product identified above, inspected to be in compliance with product quality specification and requirements as documented in our ISO 9001:2015 Quality Management System (K-QA-Q031478) in Korea.

### 6. Product Photographs



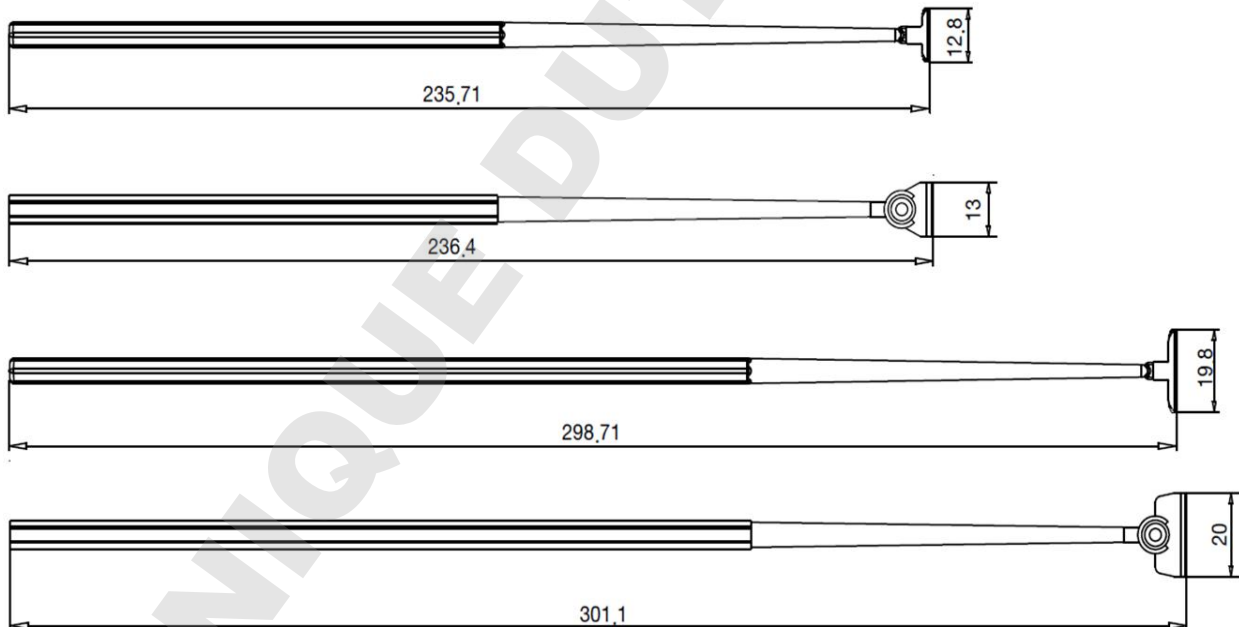
SPL-TDS-SCRP

For Research Use Only. Not intended for use in diagnostic or therapeutic procedures.  
© SPL Life Sciences Co., Ltd., Version 3, November 20<sup>th</sup>, 2018

(1) Cell Scarper  
- Specifications

|       | Dimensions                                   | Material (Resin)   | Packaging  |
|-------|--|--|--|
| 90020 | Length<br>Blade Width<br>235.71 mm<br>12.8mm | <ul style="list-style-type: none"> <li>▪ Handle: Polystyrene (PS)</li> <li>▪ Blade: Low Density Polyethylene (LDPE)</li> </ul> | <ul style="list-style-type: none"> <li>▪ Pieces/Sleeve: 1</li> <li>▪ Pieces/Case: 100</li> </ul> |
| 90021 | Length<br>Blade Width<br>236.4 mm<br>13mm    | <ul style="list-style-type: none"> <li>▪ Handle: Polystyrene (PS)</li> <li>▪ Blade: Low Density Polyethylene (LDPE)</li> </ul> | <ul style="list-style-type: none"> <li>▪ Pieces/Sleeve: 1</li> <li>▪ Pieces/Case: 100</li> </ul> |
| 90030 | Length<br>Blade Width<br>298.71 mm<br>19.8mm | <ul style="list-style-type: none"> <li>▪ Handle: Polystyrene (PS)</li> <li>▪ Blade: Low Density Polyethylene (LDPE)</li> </ul> | <ul style="list-style-type: none"> <li>▪ Pieces/Sleeve: 1</li> <li>▪ Pieces/Case: 100</li> </ul> |
| 90031 | Length<br>Blade Width<br>301.1 mm<br>20mm    | <ul style="list-style-type: none"> <li>▪ Handle: Polystyrene (PS)</li> <li>▪ Blade: Low Density Polyethylene (LDPE)</li> </ul> | <ul style="list-style-type: none"> <li>▪ Pieces/Sleeve: 1</li> <li>▪ Pieces/Case: 100</li> </ul> |

## - Technical Drawing



[www.spllifesciences.com](http://www.spllifesciences.com)

For technical assistance, contact SPL R&D Center at:

Tel: +82-31-533-4800; Fax: +82-31-533-1430; e-mail: [spl@ispl.co.kr](mailto:spl@ispl.co.kr)

To place an order, contact your local distributor or

Tel: +82-31-533-4800; Fax: +82-31-533-1430; e-mail: [business@ispl.co.kr](mailto:business@ispl.co.kr)

SPL-TDS-SCRP

For Research Use Only. Not intended for use in diagnostic or therapeutic procedures.  
© SPL Life Sciences Co., Ltd., Version 3, November 20<sup>th</sup>, 2018