

## IVF Culture Dish

(#20260/20261/20262/20263)

### 1. Description

SPL Life Sciences provides IVF Culture Dishes for *in vitro* fertilization researches.

### 2. Features

- ❖ Center well type (Cat. No 20260, 20261)
- ❖ External grips for handling
- ❖ USP guideline compliant (USP class VI tested)
- ❖ ANSI guideline compliant
- ❖ Mouse Embryo Assay (MEA) test passed

### 3. Functional Test

Sterility	:	Passed
Cytotoxicity	:	Passed
Non-Pyrogenic	:	Passed
RNase/DNase free	:	Passed
DNA free	:	Passed

### 4. Product Range

Cat.No.	Material	External Dimension (mm)	Center Well Dimension (mm)	Surface Treatment	Sterile	Packaging
20260	PS	60.00 x 15.00	20	+	+	10 / 500
20261	PS	60.00 x 15.00	20	-	+	10 / 500
20262	PS	60.00 x 15.00	-	+	+	10 / 500
20263	PS	60.00 x 15.00	-	-	+	10 / 500

### 5. Certification

SPL Life Sciences hereby certifies that the product identified above, inspected to be in compliance with product quality specification and requirements as documented in our ISO 9001:2015 Quality Management System (K-QA-Q031478) in Korea.

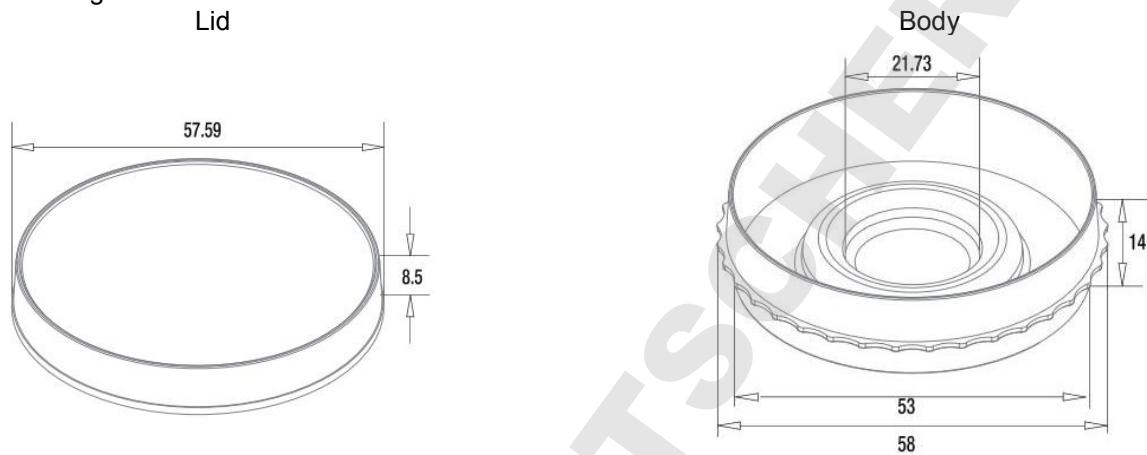
## 6. Specifications &amp; Technical Drawing

## (1) Center Well Type (# 20260/20261)

## - Specifications

Dimensions		Material (Resin)	Packaging
Lid	Dish		
Diameter <sub>Outer</sub> :	57.59 mm	Crystal-grade polystyrene (PS)	<ul style="list-style-type: none"> <li>• Pieces/Sleeve: 10</li> <li>• Pieces/Case: 500</li> </ul>
Diameter <sub>Inner</sub> :	57.00 mm		
Height:	8.50 mm		
Diameter <sub>Grip</sub> :	58.00 mm		
Diameter <sub>Dish Outer</sub> :	55.17 mm		
		Diameter <sub>Dish Inner</sub> :	53.00 mm
		Diameter <sub>Well</sub> :	21.73 mm
		Height:	14.00 mm

## - Technical Drawing

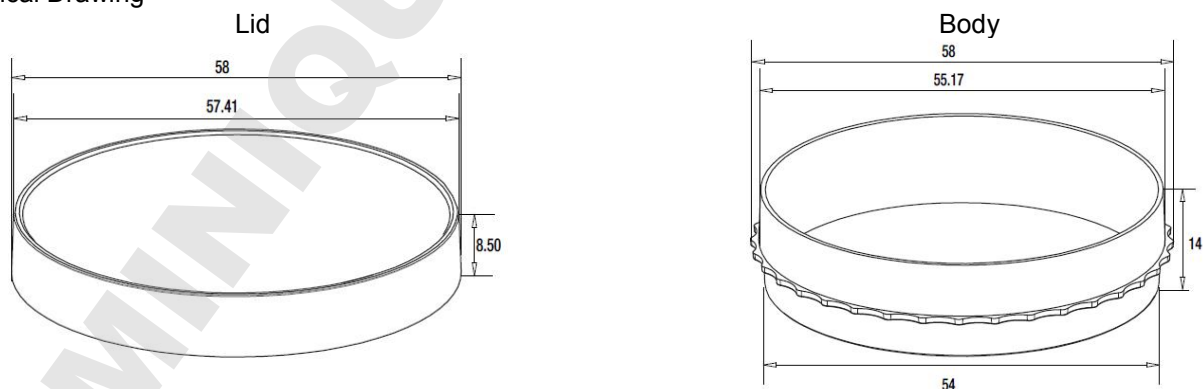


## (2) Standard Dish Type (# 20262/20263)

## - Specifications

Dimensions		Material (Resin)	Packaging
Lid	Dish		
Diameter <sub>Outer</sub> :	58.00 mm	Crystal-grade polystyrene (PS)	<ul style="list-style-type: none"> <li>• Pieces/Sleeve: 10</li> <li>• Pieces/Case: 500</li> </ul>
Diameter <sub>Inner</sub> :	57.41 mm		
Height:	8.50 mm		
Diameter <sub>Grip</sub> :	58.00 mm		
Diameter <sub>Dish Outer</sub> :	55.17 mm		
		Diameter <sub>Dish Inner</sub> :	54.00 mm
		Height:	14.00 mm

## - Technical Drawing



[www.spllifesciences.com](http://www.spllifesciences.com)

For technical assistance, contact SPL R&D Center at:

Tel: +82-31-533-4800; Fax: +82-31-533-1430; e-mail: [spl@ispl.co.kr](mailto:spl@ispl.co.kr)

To place an order, contact your local distributor or

Tel: +82-31-533-4800; Fax: +82-31-533-1430; e-mail: [business@ispl.co.kr](mailto:business@ispl.co.kr)

SPL-TDS-ICD

For Research Use Only. Not intended for use in diagnostic or therapeutic procedures.

© SPL Life Sciences Co., Ltd., Version 5, November 20<sup>th</sup>, 2018