

IVF Culture Dish

(#20260/20261/20262/20263)

1. Description

SPL Life Sciences provides IVF Culture Dishes for *in vitro* fertilization researches.

2. Features

- ❖ Center well type (Cat. No 20260, 20261)
- ❖ External grips for handling
- ❖ USP guideline compliant (USP class VI tested)
- ❖ ANSI guideline compliant
- ❖ Mouse Embryo Assay (MEA) test passed

3. Functional Test

Sterility	:	Passed
Cytotoxicity	:	Passed
Non-Pyrogenic	:	Passed
RNase/DNase free	:	Passed
DNA free	:	Passed

4. Product Range

Cat.No.	Material	External Dimension (mm)	Center Well Dimension (mm)	Surface Treatment	Sterile	Packaging
20260	PS	60.00 x 15.00	20	+	+	10 / 500
20261	PS	60.00 x 15.00	20	-	+	10 / 500
20262	PS	60.00 x 15.00	-	+	+	10 / 500
20263	PS	60.00 x 15.00	-	-	+	10 / 500

5. Certification

SPL Life Sciences hereby certifies that the product identified above, inspected to be in compliance with product quality specification and requirements as documented in our ISO 9001:2015 Quality Management System (K-QA-Q031478) in Korea.

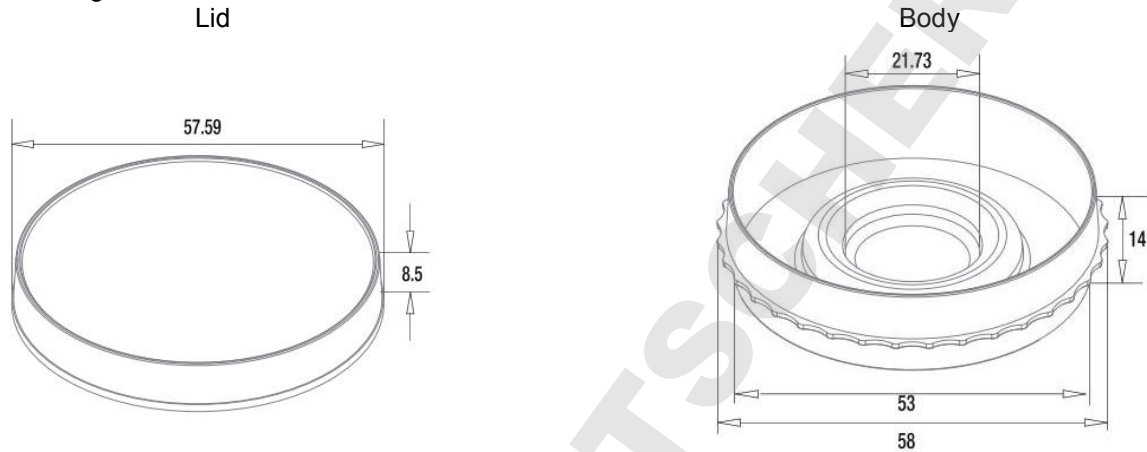
6. Specifications & Technical Drawing

(1) Center Well Type (# 20260/20261)

- Specifications

Dimensions		Material (Resin)	Packaging
Lid	Dish		
Diameter _{Outer} :	57.59 mm	Crystal-grade polystyrene (PS)	<ul style="list-style-type: none"> • Pieces/Sleeve: 10 • Pieces/Case: 500
Diameter _{Inner} :	57.00 mm		
Height:	8.50 mm		
Diameter _{Grip} :	58.00 mm		
Diameter _{Dish Outer} :	55.17 mm		
		Diameter _{Dish Inner} :	53.00 mm
		Diameter _{Well} :	21.73 mm
		Height:	14.00 mm

- Technical Drawing

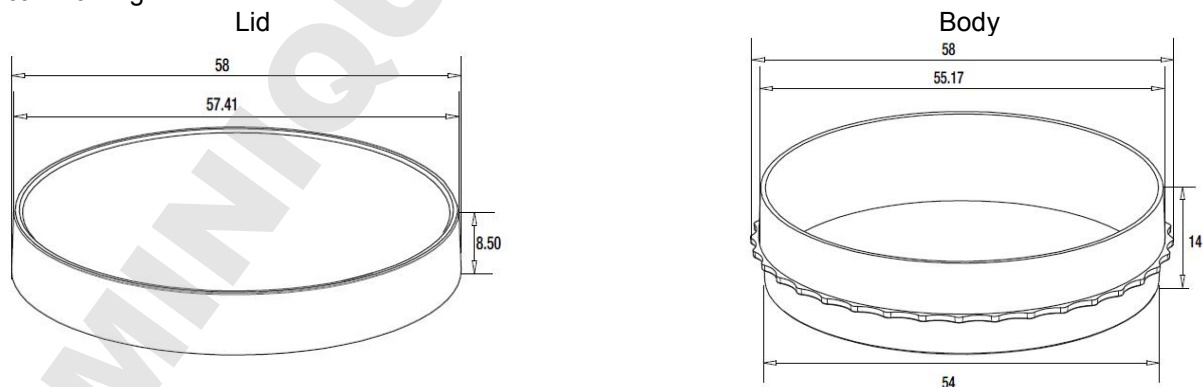


(2) Standard Dish Type (# 20262/20263)

- Specifications

Dimensions		Material (Resin)	Packaging
Lid	Dish		
Diameter _{Outer} :	58.00 mm	Crystal-grade polystyrene (PS)	<ul style="list-style-type: none"> • Pieces/Sleeve: 10 • Pieces/Case: 500
Diameter _{Inner} :	57.41 mm		
Height:	8.50 mm		
Diameter _{Grip} :	58.00 mm		
Diameter _{Dish Outer} :	55.17 mm		
		Diameter _{Dish Inner} :	54.00 mm
		Height:	14.00 mm

- Technical Drawing



www.spllifesciences.com

For technical assistance, contact SPL R&D Center at:

Tel: +82-31-533-4800; Fax: +82-31-533-1430; e-mail: spl@ispl.co.kr

To place an order, contact your local distributor or

Tel: +82-31-533-4800; Fax: +82-31-533-1430; e-mail: business@ispl.co.kr

SPL-TDS-ICD

For Research Use Only. Not intended for use in diagnostic or therapeutic procedures.

© SPL Life Sciences Co., Ltd., Version 5, November 20th, 2018