

Cell culture Plate (4 Well)

(#30004/32004)

1. Description

SPL Life Sciences IVF Products are designed for application in treatments related to obstetrics and gynecology and specific cell culture research, such as human embryonic cell culture.

SPL Life Sciences IVF Products provide optimized surface for culturing embryonic cells, maintaining their morphology and specific functions. It is recommended that cells cultured in SPL Life Sciences IVF Products are maintained in appropriate culture medium and culture grade chemicals.

2. Features

- ❖ Designed to prevent cross contamination
- ❖ Effective gas exchange lid inner design
- ❖ Alphanumeric labeling
- ❖ USP guideline compliant (USP class VI tested)
- ❖ ANSI guideline compliant
- ❖ Mouse Embryo Assay (MEA) test passed

3. Functional Test

Sterility	:	Passed
Cytotoxicity	:	Passed
Non-Pyrogenic	:	Passed
RNase/DNase free	:	Passed
DNA free	:	Passed
Mouse Embryo Assay (MEA)	:	Passed

4. Product Range

Cat.No.	Material	External Dimension (mm)	Well Dimension (mm)	Growth Area (cm ²)	Working Volume (ml)	Surface Treatment	Sterile	Packaging
30004	PS	66.0 x 66.0	15.8	2	1	+	+	4 / 120
32004	PS	66.0 x 66.0	15.8	2	1	-	+	4 / 120

5. Certification

SPL Life Sciences hereby certifies that the product identified above, inspected to be in compliance with product quality specification and requirements as documented in our ISO 9001:2015 Quality Management System (K-QA-Q031478) in Korea.

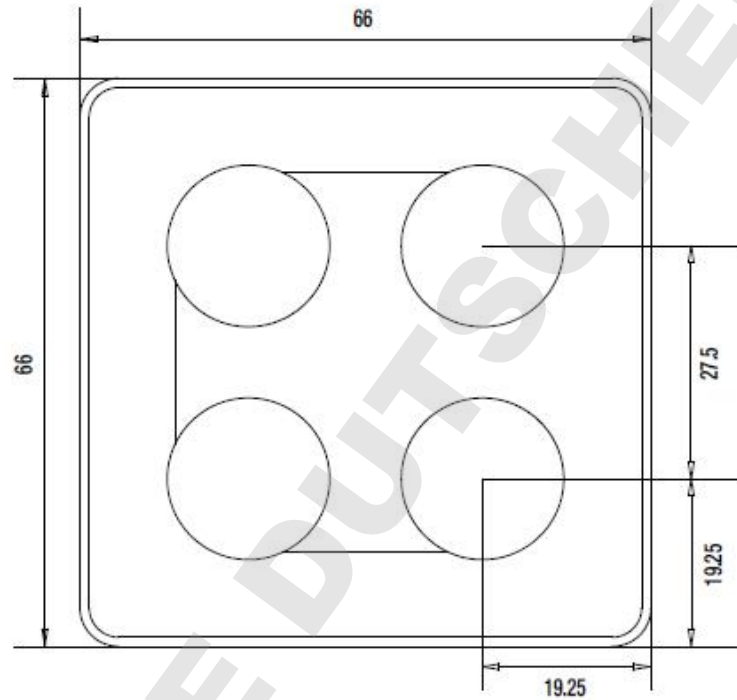
6. Specifications & Technical Drawing

(1) 4 Well Plate (# 30004/32004)

- Specifications

Dimensions		Material (Resin)	Packaging
Lid	Dish		
Length: 63.00 mm	Length: 66.00 mm	Crystal-grade polystyrene (PS)	<ul style="list-style-type: none"> • Pieces/Sleeve: 4 • Pieces/Case: 120
Width: 63.00 mm	Width: 66.00 mm		
Height: 6.00 mm	Height: 12.00 mm		
	Well Dimension: 15.80 mm		
Volume per Well: 1.00 ml			
Growth Area: 2.00 cm ²			

- Technical Drawing



www.spllifesciences.com

For technical assistance, contact SPL R&D Center at:

Tel: +82-31-533-4800; Fax: +82-31-533-1430; e-mail: spl@ispl.co.kr

To place an order, contact your local distributor or

Tel: +82-31-533-4800; Fax: +82-31-533-1430; e-mail: business@ispl.co.kr

SPL-TDS-CCPF

For Research Use Only. Not intended for use in diagnostic or therapeutic procedures.
© SPL Life Sciences Co., Ltd., Version 5, November 20th, 2018