

SPLScar™ Scratcher

(#201906/201924)

1. Description

SPLScar™ Scratcher improves the uniformity and reproducibility of the possible products used in cancer metastasis, wound healing and cell migration research. SPLScar™ Scratcher consists of a Lid with identical holes and a scratcher, suitable for use in 6 well and 24 well configurations.

2. Features

❖ Scratcher tip width: 0.5mm -> allowing a full view of the wound width in a single frame under high-magnifications

3. Functional Test

Sterility : Passed
 Cytotoxicity : Passed
 Non-Pyrogenic : Passed
 RNase/DNase free : Passed
 DNA free : Passed

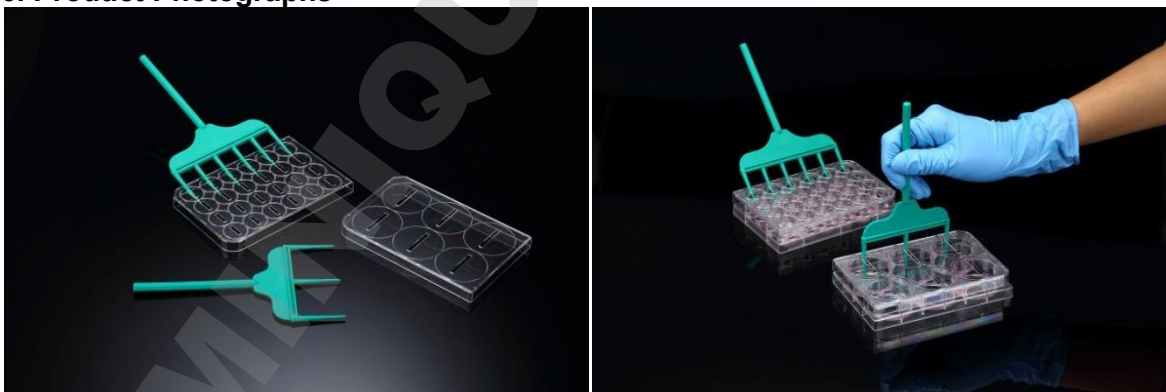
4. Product Range

Cat. No.	Lid Type	Material (Scratcher/Lid)	Sterile	Packaging
201906	6well	HDPE/PS	Gamma	1/20
201924	24well	HDPE/PS	Gamma	1/20

5. Certification

SPL Life Sciences hereby certifies that the product identified above, inspected to be in compliance with product quality specification and requirements as documented in our ISO 9001:2015 Quality Management System (K-QA-Q031478) in Korea.

6. Product Photographs



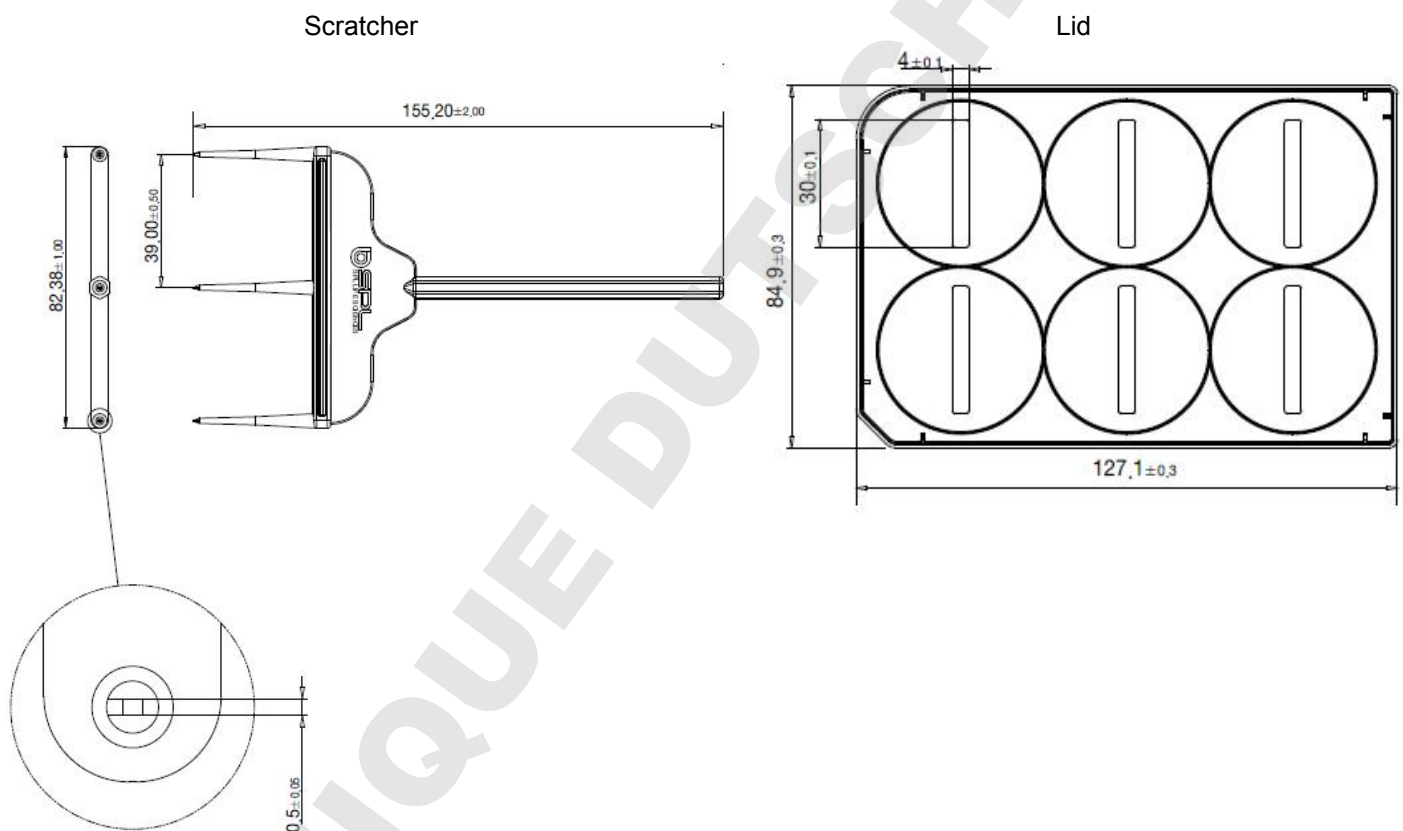
7. Specifications & Technical Drawing

(1) SPLScar™ Scratcher- 6well (# 201906) - Specifications Dimensions

- Specifications

Dimensions		Material (Resin)	Packaging
Scratcher Dimension	Lid Dimension	<ul style="list-style-type: none"> Scratcher: High-Density Polyethylene (HDPE) Lid: Polystyrene (PS) 	<ul style="list-style-type: none"> Pieces/Sleeve: 1 Pieces/Case: 20
<ul style="list-style-type: none"> length: 82.38 ± 1.00 mm Width: 155.20 ± 2.00 mm Tip Width: 0.5 ± 0.05 mm 	<ul style="list-style-type: none"> length: 84.9 ± 0.3 mm Width: 127.1 ± 0.3 mm High: 10.0 ± 0.1 mm Hole length: 30.0 ± 0.1 mm Hole Width: 4.0 ± 0.1 mm 		

- Technical Drawing



(2) SPLScar™ Scratcher- 24well (# 201924) - Specifications Dimensions

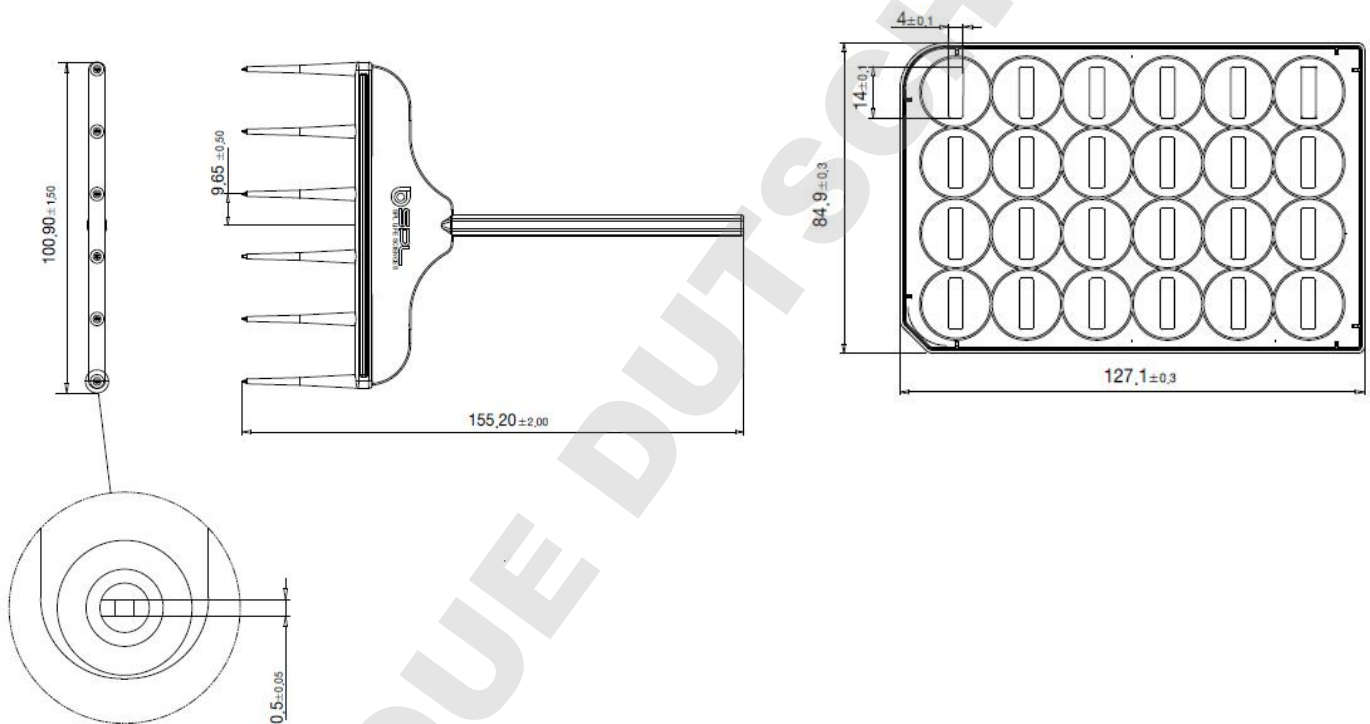
- Specifications

Dimensions		Material (Resin)	Packaging
Scratcher Dimension	Lid Dimension	<ul style="list-style-type: none"> Scratcher: High-Density Polyethylene (HDPE) Lid: Polystyrene (PS) 	<ul style="list-style-type: none"> Pieces/Sleeve: 1 Pieces/Case: 20
<ul style="list-style-type: none"> length: 100.90 ± 1.50 mm Width: 155.20 ± 2.00 mm Tip Width: 0.5 ± 0.05 mm 	<ul style="list-style-type: none"> length: 84.9 ± 0.3 mm Width: 127.1 ± 0.3 mm High: 10.0 ± 0.1 mm Hole length: 14.0 ± 0.1 mm Hole Width: 4.0 ± 0.1 mm 		

- Technical Drawing

Scratcher

Lid



www.spllifesciences.com

For technical assistance, contact SPL R&D Center at:

Tel: +82-31-533-4800; Fax: +82-31-533-1430; e-mail: spl@ispl.co.kr

To place an order, contact your local distributor or

Tel: +82-31-533-4800; Fax: +82-31-533-1430; e-mail: business@ispl.co.kr

SPL-TDS-SSS

For Research Use Only. Not intended for use in diagnostic or therapeutic procedures.
© SPL Life Sciences Co., Ltd., Version 4, November 20th, 2018