

Co-culture Dish (JLK) (#209260/209200)

1. Description

Co-culture dish (JLK) is designed to study the interactions between two different cell populations in a single dish, provided with an insert mesh to allow bi-directional signal exchange, achieving more *in vivo*-like environment.

2. Features

- ❖ Material (Frame / Mesh): Polystyrene (PS) / Nylon
- ❖ Nominal membrane thickness: 10 ~ 23 µm
- ❖ Pore size: 23 µm
- ❖ Packed in cell culture-treated cell culture dishes (20060, 20100)

3. Functional Test

Sterility	:	Passed
Cytotoxicity	:	Passed
Non-Pyrogenic	:	Passed
RNase/DNase Free	:	Passed
DNA free	:	Passed

4. Product Specification

Cat.No.	Dish Style d x h (mm)	Internal Dimension d x h (mm)	Growth Area (cm ²)	Working Volume (ml)	External Grip	Surface treatment	Sterile	Packaging
209260	60.00 x 15.00	52.80 x 12.80	21.50	5.0	+	+	+	10 / 20
209200	100.00 x 20.00	86.26 x 17.70	57.50	12.50	-	+	+	10 / 20

5. Certification

SPL Life Sciences hereby certifies that the product identified above, inspected to be in compliance with product quality specification and requirements as documented in our ISO 9001:2015 Quality Management System (K-QA-Q031478) in Korea.

6. Product Photographs



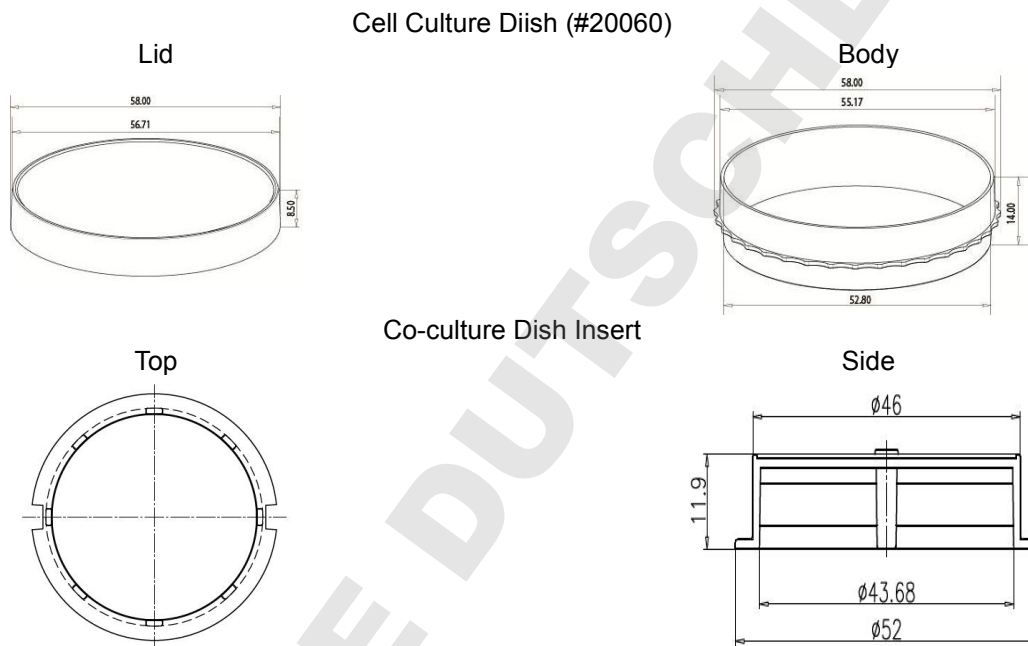
7. Specifications & Technical Drawing

(1) Co-culture Dish (JLK) (#209260)

- Specifications

Lid		Dish		Insert		Material (Resin)	Packaging
Diameter _{Outer} :	58.00 mm	Diameter _{Grip} :	58.00 mm	Diameter _{Top} :	52.00 mm		
Diameter _{Inner} :	56.71 mm	Diameter _{Outer} :	55.17 mm	Diameter _{Bottom} :	46.00 mm		
Height:	8.50 mm	Diameter _{Inner} :	52.80 mm	Diameter _{Inner} :	43.68 mm		
		Height:	14.00 mm	Height:	11.90 mm		
		Volume/Dish:	5.00 ml				
		Growth Area:	21.50 cm ²				

- Technical Drawing

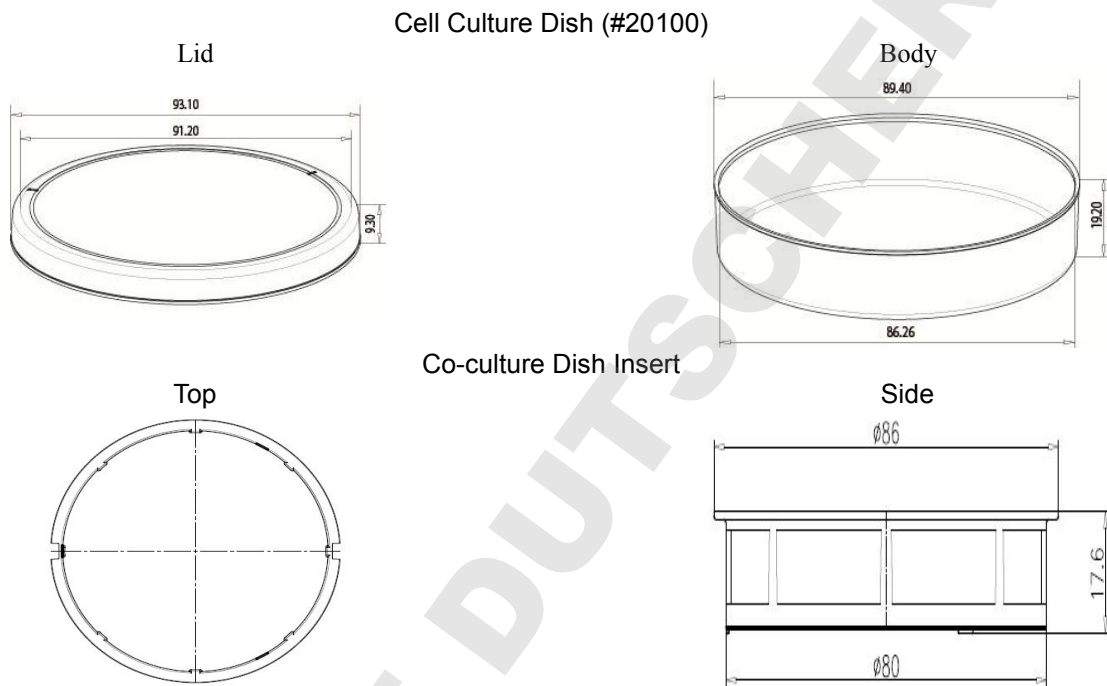


(2) Co-culture Dish (JLK) (#209200)

- Specifications

Lid		Dish		Insert		Material (Resin)	Packaging
Diameter _{Outer} :	93.10 mm	Diameter _{Outer} :	89.40 mm	Diameter _{Top} :	86.00 mm		
Diameter _{Inner} :	91.20 mm	Diameter _{Inner} :	86.26 mm	Diameter _{Bottom} :	80.00 mm		
Height:	9.30 mm	Height:	19.20 mm	Diameter _{Inner} :	80.00 mm		
		Volume/Dish:	12.50 ml	Height:	17.60 mm		
		Growth Area:	57.50 cm ²				

- Technical Drawing



www.spllifesciences.com

For technical assistance, contact SPL R&D Center at:

Tel: +82-31-533-4800; Fax: +82-31-533-1430; e-mail: spl@ispl.co.kr

To place an order, contact your local distributor or

Tel: +82-31-533-4800; Fax: +82-31-533-1430; e-mail: business@ispl.co.kr

SPL-TDS-CCD

For Research Use Only. Not intended for use in diagnostic or therapeutic procedures.
© SPL Life Sciences Co., Ltd., Version 3, November 20th, 2018