

Cell Culture Slide

(#30101/30111/30121/30401/30501/30102/30112/30122/30402/30502/30104/30114/30124/30404/30504/30108/30118/30128/30408/30508)

1. Description

SPL's Cell Culture Slides are designed for various cell-based experiments and are also useful for virus, toxicity tests and immunocytological experiments. Cell Culture Slides provide removable chamber that enables cell growth directly on the microscopic slide, convenient for staining and microscopic examination without cell transfer. Chambers with various well numbers and colors are available for different applications. With new additions of novel culture surfaces DLux & FLux, more potential with greater diversity have been given to the Cell Culture Slides.

Surface materials for Cell Culture Slide

Glass: naturally charged, good growth surface for adherent cells

DLux: surface modified plastic with minimal autofluorescence

FLux: surface modified plastic film (188 µm thick), optimal for confocal microscopy

2. Features

- ❖ Convenient for microscopic observation
- ❖ Bottom materials: Glass/DLux/FLux (no surface treatment for glass bottom)
- ❖ Chamber color: Clear/White/Black
- ❖ Easy open flip for chamber & slide disassembly
- ❖ No chemical adhesives used
- ❖ Designed to prevent cross contamination
- ❖ Alphanumeric labeling
- ❖ Packing trays can be used as incubation racks in CO₂ incubators.

3. Functional Test

Sterility	:	Passed
Cytotoxicity	:	Passed
Non-Pyrogenic	:	Passed
RNase/DNase Free	:	Passed
Human DNA – free	:	Passed

4. Product Range

1well

Cat.No.	Chamber Color	Material (Chamber/Slide/Holder)	Growth Area/well (cm ²)	Working Volume/Well (ml)	Surface Treatment	Sterile	Packaging
30101	Clear	PS / Glass / PP	0.98	2.5 - 5.5	-	+	6 / 12
30111	Black	PS / Glass / PP	0.98	2.5 - 5.5	-	+	6 / 12
30121	White	PS / Glass / PP	0.98	2.5 - 5.5	-	+	6 / 12
30401	Clear	PS / DLux / PP	0.98	2.5 - 5.5	+	+	6 / 12
30501	Clear	PS / FLux / PP	0.98	2.5 - 5.5	+	+	6 / 12

2well

Cat.No.	Chamber Color	Material (Chamber/Slide/Holder)	Growth Area/well (cm ²)	Working Volume/Well (ml)	Surface Treatment	Sterile	Packaging
30102	Clear	PS / Glass / PP	0.98	1.2 - 2.5	-	+	6 / 12
30112	Black	PS / Glass / PP	0.98	1.2 - 2.5	-	+	6 / 12
30122	White	PS / Glass / PP	0.98	1.2 - 2.5	-	+	6 / 12
30402	Clear	PS / DLux / PP	0.98	1.2 - 2.5	+	+	6 / 12
30502	Clear	PS / FLux / PP	0.98	1.2 - 2.5	+	+	6 / 12

SPL-TDS-CCS

For Research Use Only. Not intended for use in diagnostic or therapeutic procedures.
© SPL Life Sciences Co., Ltd., Version 7, November 20th, 2018

4well

Cat.No.	Chamber Color	Material (Chamber/Slide/Holder)	Growth Area/well (cm ²)	Working Volume/Well (ml)	Surface Treatment	Sterile	Packaging
30104	Clear	PS / Glass / PP	0.98	0.5 - 1.3	-	+	6 / 12
30114	Black	PS / Glass / PP	0.98	0.5 - 1.3	-	+	6 / 12
30124	White	PS / Glass / PP	0.98	0.5 - 1.3	-	+	6 / 12
30404	Clear	PS / DLux / PP	0.98	0.5 - 1.3	+	+	6 / 12
30504	Clear	PS / FLux / PP	0.98	0.5 - 1.3	+	+	6 / 12

8well

Cat.No.	Chamber Color	Material (Chamber/Slide/Holder)	Growth Area/well (cm ²)	Working Volume/Well (ml)	Surface Treatment	Sterile	Packaging
30108	Clear	PS / Glass / PP	0.98	0.2 - 0.6	-	+	6 / 12
30118	Black	PS / Glass / PP	0.98	0.2 - 0.6	-	+	6 / 12
30128	White	PS / Glass / PP	0.98	0.2 - 0.6	-	+	6 / 12
30408	Clear	PS / DLux / PP	0.98	0.2 - 0.6	+	+	6 / 12
30508	Clear	PS / FLux / PP	0.98	0.2 - 0.6	+	+	6 / 12

5. Certification

SPL Life Sciences hereby certifies that the product identified above, inspected to be in compliance with product quality specification and requirements as documented in our ISO 9001:2015 Quality Management System (K-QA-Q031478) in Korea.

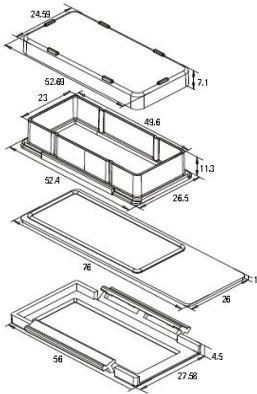
6. Specifications & Technical Drawing

(1) 1well Cell Culture Slide (#30101/30111/30121/30401/30501)

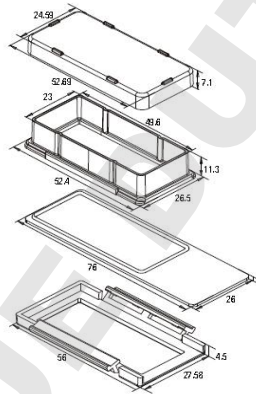
- Specifications

	Dimensions	Material (Resin)	Packaging
Lid	Length: 24.59 mm Width: 52.69 mm Height: 7.10 mm	Polystyrene (PS)	<ul style="list-style-type: none"> ▪ Pieces/Sleeve: 6 ▪ Pieces/Case: 12
Chamber	Length: 26.50 mm Width: 52.40 mm Height: 11.30 mm	Polystyrene (PS)	
Slide	Length: 26.00 mm Width: 76.00 mm Height: 1.00 mm	Glass & Copolymer	
Film	Length: 25.50 mm Width: 53.00 mm Height: 0.18 mm	Copolymer	
Film frame	Length: 26.00 mm Width: 76.00 mm Height: 1.00 mm	Acryl	
Holder	Length: 27.58 mm Width: 56.00 mm Height: 4.50 mm	Polypropylene (PP)	
Well Dimension: Volume per Well:		23.00 x 49.60 mm 2.5 ~ 5.5 ml	

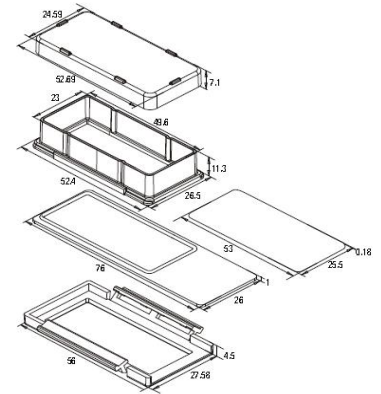
- Technical Drawing



Glass Bottom



Plastic(DLux) Bottom



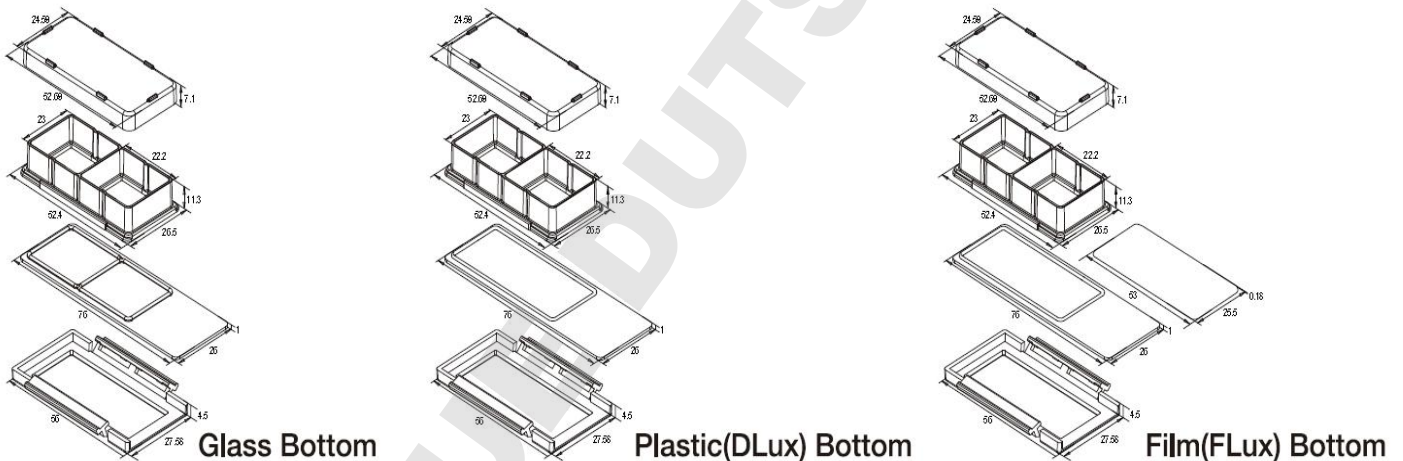
Film(FLux) Bottom

(2) 2well Cell Culture Slide (#30102/30112/30122/30402/30502)

- Specifications

Dimensions		Material (Resin)	Packaging
Lid	Length: 24.59 mm Width: 52.69 mm Height: 7.10 mm	Polystyrene (PS)	<ul style="list-style-type: none"> • Pieces/Sleeve: 6 • Pieces/Case: 12
Chamber	Length: 26.50 mm Width: 52.40 mm Height: 11.30 mm	Polystyrene (PS)	
Slide	Length: 26.00 mm Width: 76.00 mm Height: 1.00 mm	Glass & Copolymer	
Film	Length: 25.50 mm Width: 53.00 mm Height: 0.18 mm	Copolymer	
Film frame	Length: 26.00 mm Width: 76.00 mm Height: 1.00 mm	Acryl	
Holder	Length: 27.58 mm Width: 56.00 mm Height: 4.50 mm	Polypropylene (PP)	
Well Dimension: Volume per Well:		23.00 x 22.20 mm 1.2 ~ 2.5 ml	

- Technical Drawing

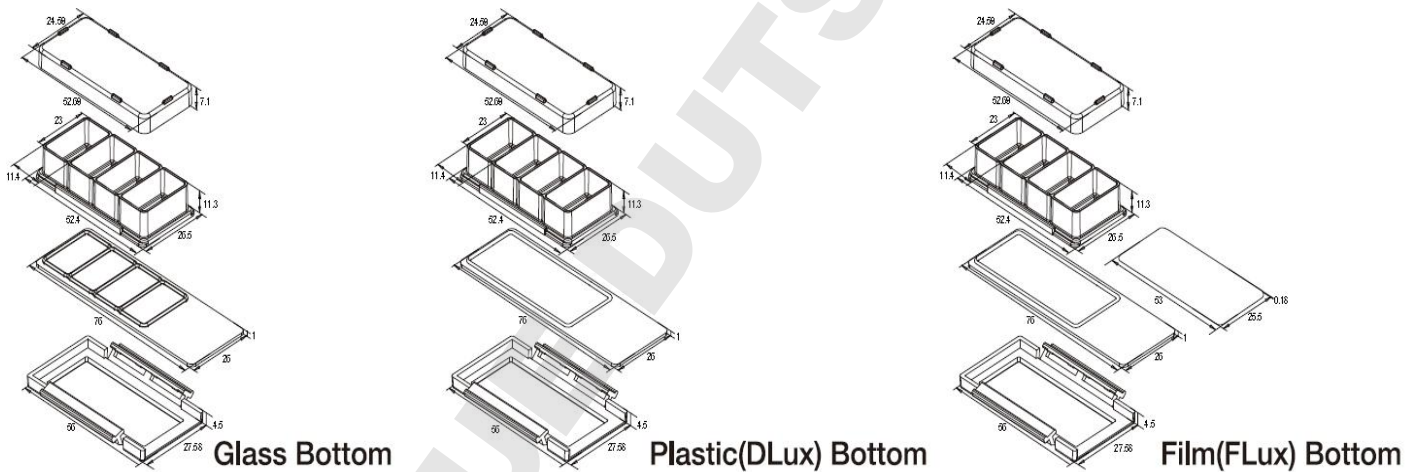


(3) 4well Cell Culture Slide (#30104/30114/30124/30404/30504)

- Specifications

	Dimensions	Material (Resin)	Packaging
Lid	Length: 24.59 mm Width: 52.69 mm Height: 7.10 mm	Polystyrene (PS)	<ul style="list-style-type: none"> • Pieces/Sleeve: 6 • Pieces/Case: 12
Chamber	Length: 26.50 mm Width: 52.40 mm Height: 11.30 mm	Polystyrene (PS)	
Slide	Length: 26.00 mm Width: 76.00 mm Height: 1.00 mm	Glass & Copolymer	
Film	Length: 25.50 mm Width: 53.00 mm Height: 0.18 mm	Copolymer	
Film frame	Length: 26.00 mm Width: 76.00 mm Height: 1.00 mm	Acryl	
Holder	Length: 27.58 mm Width: 56.00 mm Height: 4.50 mm	Polypropylene (PP)	
Well Dimension: Volume per Well:		23.00 x 11.40 mm 0.5 ~ 1.3 ml	

- Technical Drawing

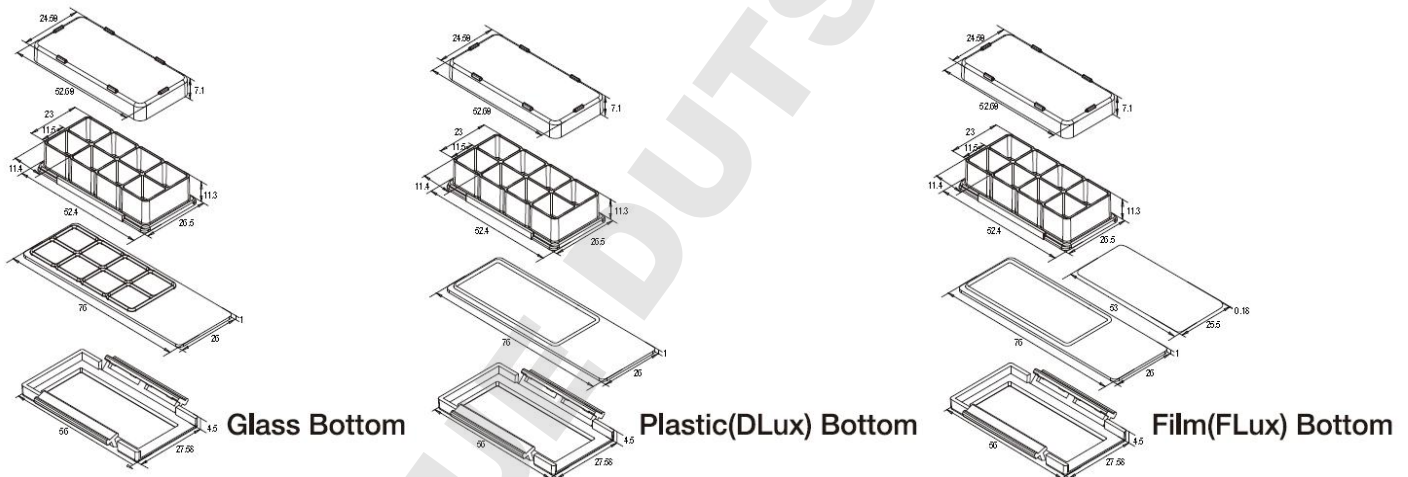


(4) 8well Cell Culture Slide (#30108/30118/30128/30408/30508)

- Specifications

	Dimensions	Material (Resin)	Packaging
Lid	Length: 24.59 mm Width: 52.69 mm Height: 7.10 mm	Polystyrene (PS)	<ul style="list-style-type: none"> • Pieces/Sleeve: 6 • Pieces/Case: 12
Chamber	Length: 26.50 mm Width: 52.40 mm Height: 11.30 mm	Polystyrene (PS)	
Slide	Length: 26.00 mm Width: 76.00 mm Height: 1.00 mm	Glass & Copolymer	
Film	Length: 25.50 mm Width: 53.00 mm Height: 0.18 mm	Copolymer	
Film frame	Length: 26.00 mm Width: 76.00 mm Height: 1.00 mm	Acryl	
Holder	Length: 27.58 mm Width: 56.00 mm Height: 4.50 mm	Polypropylene (PP)	
Well Dimension: Volume per Well:		11.50 x 11.40 mm 0.2 ~ 0.6 ml	

- Technical Drawing



www.spllifesciences.com

For technical assistance, contact SPL R&D Center at:

Tel: +82-31-533-4800; Fax: +82-31-533-1430; e-mail: spl@ispl.co.kr

To place an order, contact your local distributor or

Tel: +82-31-533-4800; Fax: +82-31-533-1430; e-mail: business@ispl.co.kr