

SPL Coat™ Matrix™ – Cell Culture Flask

(#710025/710125/710075/710175)

1. Description

SPL Life Sciences provides Matrix™ coated cell culture flasks with high quality. All Matrix™ coated flasks are produced with optically clear and high quality polymers for microscopy.

2. Features

- ❖ No washing required before use
- ❖ Shelf life: 3 months at 2 ~ 8°C

3. Product Range

Cat.No.	Cap Type	Growth Area (cm ²)	Working Volume (ml)	Packaging
710025	Filter	25.00	7.00	5 / 10
710125	Plug	25.00	7.00	5 / 10
710075	Filter	75.00	25.00	5 / 10
710175	Plug	75.00	25.00	5 / 10

4. Certification

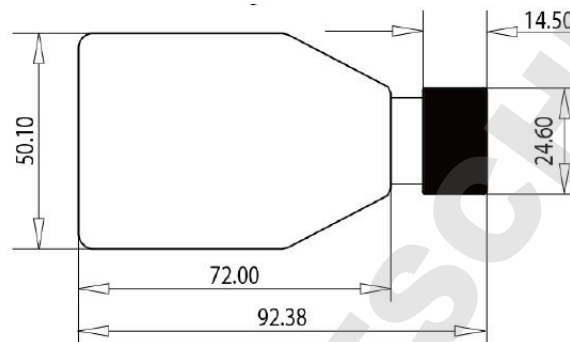
SPL Life Sciences hereby certifies that the product identified above, inspected to be in compliance with product quality specification and requirements as documented in our ISO 9001:2015 Quality Management System (K-QA-Q031478) in Korea.

5. Specifications & Technical Drawing

(1) 25T Cell Culture Flask (#710025/710125) - Specifications

Dimensions				Material (Resin)	Packaging
Cap		Body			
Width:	24.60mm	Length:	72.00mm	Crystal-grade polystyrene (PS)	<ul style="list-style-type: none"> • Pieces/Sleeve: 5 • Pieces/Case: 10
Height:	14.50mm	Width:	50.10mm		
		Height:	27.60mm		
Total Volume:		60.00ml			
Growth Area:		25.00cm ²			

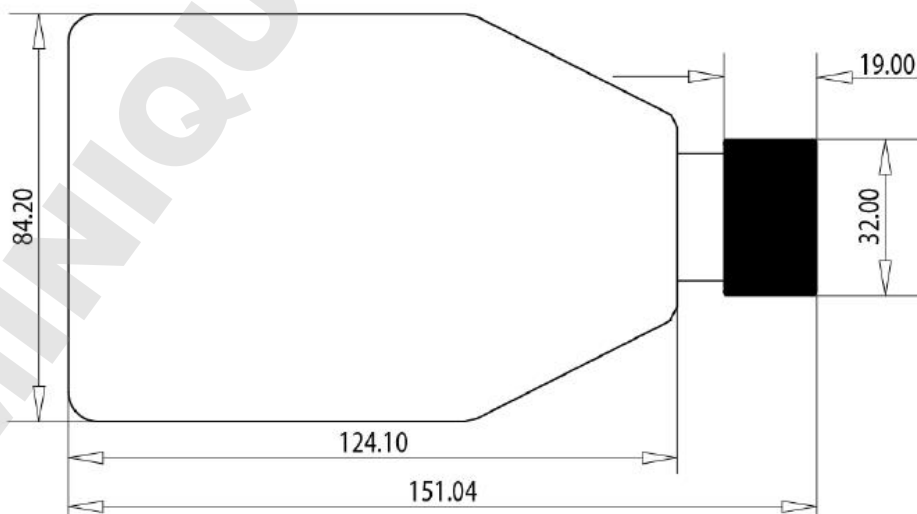
- Technical Drawing



(2) 75T Cell Culture Flask (#710075/710175) - Specifications

Dimensions				Material (Resin)	Packaging
Cap		Body			
Width:	30.00mm	Length:	124.10mm	Crystal-grade polystyrene (PS)	<ul style="list-style-type: none"> • Pieces/Sleeve: 5 • Pieces/Case: 10
Height:	19.00mm	Width:	84.20mm		
		Height:	39.60mm		
Volume per Flask:		250.00ml			
Growth Area:		75.00cm ²			

- Technical Drawing



www.spllifesciences.com

For technical assistance, contact SPL R&D Center at:
 Tel: +82-31-533-4800; Fax: +82-31-533-1430; e-mail: spl@ispl.co.kr
 To place an order, contact your local distributor or
 Tel: +82-31-533-4800; Fax: +82-31-533-1430; e-mail: business@ispl.co.kr

SPL-TDS-COL4

For Research Use Only. Not intended for use in diagnostic or therapeutic procedures.
 © SPL Life Sciences Co., Ltd., Version 2, November 20th, 2018