

Square Dish (#10125)

1. Description

Square dishes have been widely used for large scaled cell culture and microbiology applications, like colony tracing and picking. Large and gridded surface area is useful for tracing the location of individual colony.

2. Features

- ❖ Effective gas exchange lid inner design
- ❖ Excellent stackability
- ❖ Larger culture area compared to conventional round cell culture dishes
- ❖ Ideal for colony count or determination of plating efficiency

3. Functional Test

Sterility	:	Passed
Cytotoxicity	:	Passed
Non-Pyrogenic	:	Passed
RNase/DNase free	:	Passed
DNA free	:	Passed

4. Product Range

Cat.No.	Material	External Dimension w x l x h (mm)	Well Dimension w x l x h (mm)	Growth Area (cm ²)	Surface Treatment	Sterile	Packaging
10125	PS	126.40 x 126.40 x 20.00	118.70 x 118.70 x 11.60	139.00	+	+	1/50

5. Certification

SPL Life Sciences hereby certifies that the product identified above, inspected to be in compliance with product quality specification and requirements as documented in our ISO 9001:2015 Quality Management System (K-QA-Q031478) in Korea.

6. Product Photographs

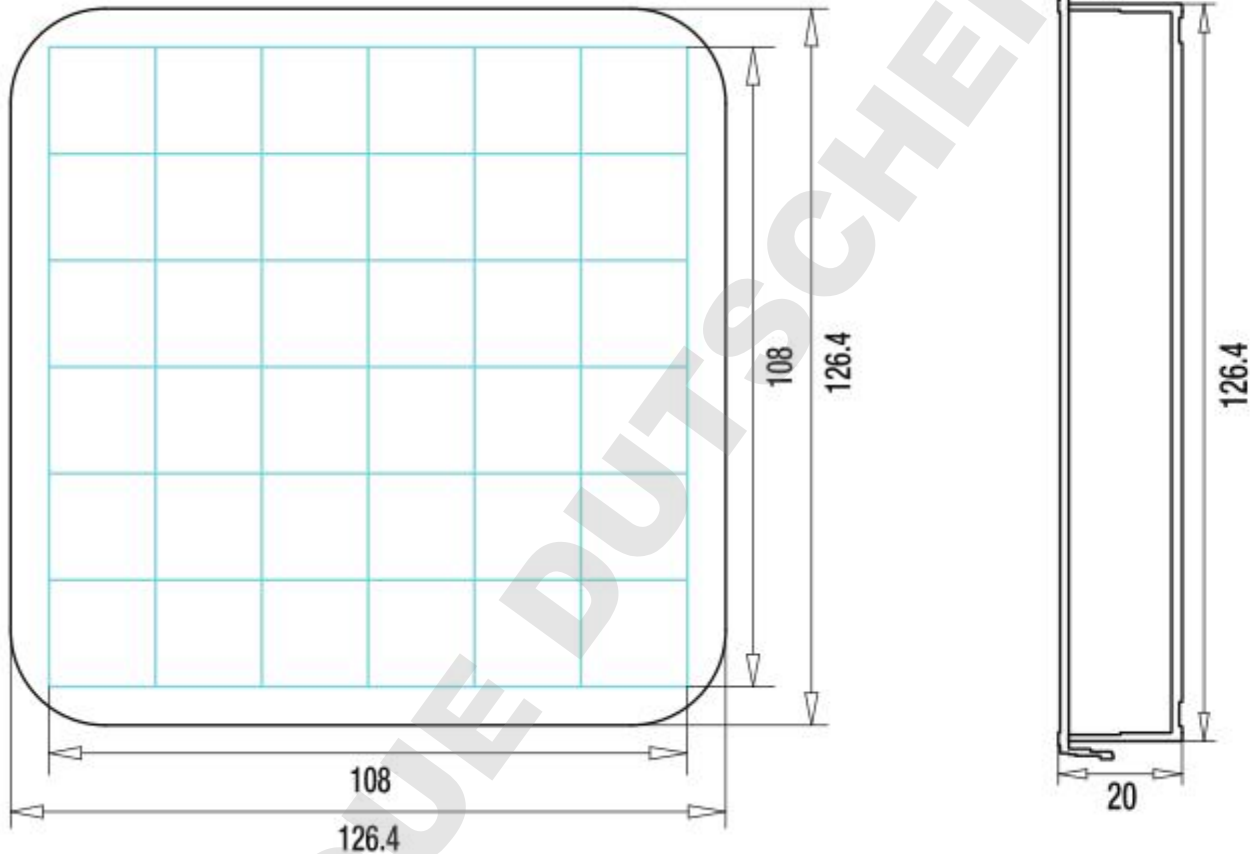


7. Specifications & Technical Drawing

- Specifications

Dimensions		Material (Resin)	Packaging
Length:	126.40 mm	Crystal-grade polystyrene (PS)	<ul style="list-style-type: none"> • Pieces/Sleeve: 5 • Pieces/Case: 60
Width:	126.40 mm		
Height:	20.00 mm		

- Technical Drawing



www.spllifesciences.com

For technical assistance, contact SPL R&D Center at:
 Tel: +82-31-533-4800; Fax: +82-31-533-1430; e-mail: spl@ispl.co.kr
 To place an order, contact your local distributor or
 Tel: +82-31-533-4800; Fax: +82-31-533-1430; e-mail: business@ispl.co.kr

SPL-TDS-SD

For Research Use Only. Not intended for use in diagnostic or therapeutic procedures.
 © SPL Life Sciences Co., Ltd., Version 3, November 20th, 2018