

Cell Culture Plate 6well (#30006/31006/32006)

1. Description

Cell Culture Plates are widely used for handling multiple samples in a single experiment during culture. SPL Life Sciences provides a wide range of multiwell plates from 6well to 384well plates for cell culturing purposes.

2. Features

- ❖ Designed to prevent cross contamination
- ❖ Effective gas exchange lid inner design
- ❖ Alphanumeric labeling
- ❖ Homogeneous cell culture
- ❖ Flat bottoms
- ❖ USP guideline compliant (USP class VI tested)
- ❖ ANSI guideline compliant

3. Functional Test

Sterility	:	Passed
Cytotoxicity	:	Passed
Non-Pyrogenic	:	Passed
RNase/DNase free	:	Passed
DNA free	:	Passed

4. Product Range

Cat. No.	Material	External Dimension w x l x h (mm)	Well Dimension d x h (mm)	Growth Area (cm ²)	Working Volume (ml)	Surface Treatment	Sterile	Packaging
30006	PS	85.40 x 127.60 x 20.20	35.00 x 17.50	9.60	3.00	+	+	1/50
31006	PS	85.40 x 127.60 x 20.20	35.00 x 17.50	9.60	3.00	-	-	1/50
32006	PS	85.40 x 127.60 x 20.20	35.00 x 17.50	9.60	3.00	-	+	1/50

5. Certification

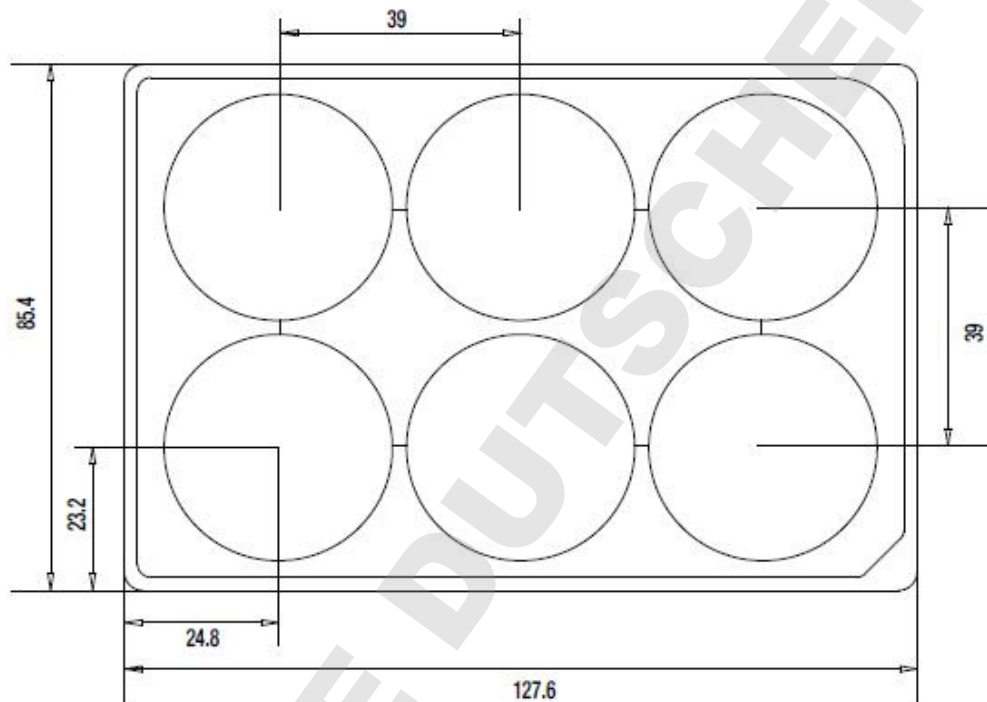
SPL Life Sciences hereby certifies that the product identified above, inspected to be in compliance with product quality specification and requirements as documented in our ISO 9001:2015 Quality Management System (K-QA-Q031478) in Korea.

6. Specifications & Technical Drawing

- Specifications

Dimensions		Material (Resin)	Packaging
Lid	Dish		
Length: 127.10 mm	Length: 127.60 mm	Crystal-grade polystyrene (PS)	<ul style="list-style-type: none"> • Pieces/Sleeve: 1 • Pieces/Case: 50
Width: 84.90 mm	Width: 85.40 mm		
Height: 10.00 mm	Height: 20.20 mm		
	Well Dimension: 35.00 mm		
Volume per Well: 3.00 ml			
Growth Area: 9.60 cm ²			

- Technical Drawing



www.spllifesciences.com

For technical assistance, contact SPL R&D Center at:
 Tel: +82-31-533-4800; Fax: +82-31-533-1430; e-mail: spl@ispl.co.kr
 To place an order, contact your local distributor or
 Tel: +82-31-533-4800; Fax: +82-31-533-1430; e-mail: business@ispl.co.kr

SPL-TDS-CCP6

For Research Use Only. Not intended for use in diagnostic or therapeutic procedures.
 © SPL Life Sciences Co., Ltd., Version 5, November 20th, 2018