

Cell Culture Flask

(#70025/70125/70325/70225/70075/70157/70375/70275/71175/72175/74175/73175)

1. Description

Cell Culture Flasks of SPL Life Sciences are ergonomically designed for easy handling, while achieving minimal contamination during cell culture. Short, wide and angled neck design enables easy access of serological pipettes and cell scrapers. Flasks are divided into 6 types, depending on the culture scale and the cap type. Cell growth area for T25, T75 and T175 are 25 cm², 75 cm², and 175 cm², respectively. Each flask can be provided with plug or filter caps.

2. Features

- ❖ Ergonomic design to facilitate easy handling and minimize contamination
- ❖ Short & wide neck with angled design allow easy access
- ❖ Excellent stackability
- ❖ Plugs & filter caps are available for all flask models
- ❖ Cell growth area ranging from 25 cm², 75 cm², 175 cm²
- ❖ Venting position for 175 cm² plug cap model (Cat. No. 72175, 73175)
- ❖ Non-treated models (for suspension culture) are provided with white caps

3. Functional Test

| | | |
|------------------|---|--------|
| Sterility | : | Passed |
| Cytotoxicity | : | Passed |
| Non-Pyrogenic | : | Passed |
| RNase/DNase free | : | Passed |
| DNA free | : | Passed |

4. Product Range

T25 Flask

| Cat.No. | Material | Cap Type | Growth Area (cm ²) | Working Volume (ml) | Total Volume (ml) | Surface Treatment | Sterile | Packaging |
|---------|----------|----------|--------------------------------|---------------------|-------------------|-------------------|---------|-----------|
| 70025 | PS | Filter | 25 | 7 | 60 | + | + | 5 / 200 |
| 70125 | PS | Plug | 25 | 7 | 60 | + | + | 5 / 200 |
| 70325 | PS | Filter | 25 | 40 | 60 | - | + | 5 / 200 |
| 70225 | PS | Plug | 25 | 40 | 60 | - | + | 5 / 200 |

T75 Flask

| Cat.No. | Material | Cap Type | Growth Area (cm ²) | Working Volume (ml) | Total Volume (ml) | Surface Treatment | Sterile | Packaging |
|---------|----------|----------|--------------------------------|---------------------|-------------------|-------------------|---------|-----------|
| 70075 | PS | Filter | 75 | 25 | 250 | + | + | 5/100 |
| 70175 | PS | Plug | 75 | 25 | 250 | + | + | 5/100 |
| 70375 | PS | Filter | 75 | 170 | 250 | - | + | 5/100 |
| 70275 | PS | Plug | 75 | 170 | 250 | - | + | 5/100 |

T175 Flask

| Cat.No. | Material | Cap Type | Growth Area (cm ²) | Working Volume (ml) | Total Volume (ml) | Surface Treatment | Sterile | Packaging |
|---------|----------|----------|--------------------------------|---------------------|-------------------|-------------------|---------|-----------|
| 71175 | PS | Filter | 175 | 50 | 650 | + | + | 5/40 |
| 72175 | PS | Plug | 175 | 50 | 650 | + | + | 5/40 |
| 74175 | PS | Filter | 175 | 450 | 650 | - | + | 5/40 |
| 73175 | PS | Plug | 175 | 450 | 650 | - | + | 5/40 |

SPL-TDS-CCF

For Research Use Only. Not intended for use in diagnostic or therapeutic procedures.
© SPL Life Sciences Co., Ltd., Version 6, November 20th. 2018

5. Certification

SPL Life Sciences hereby certifies that the product identified above, inspected to be in compliance with product quality specification and requirements as documented in our ISO 9001:2015 Quality Management System (K-QA-Q031478) in Korea.

6. Specifications & Technical Drawing

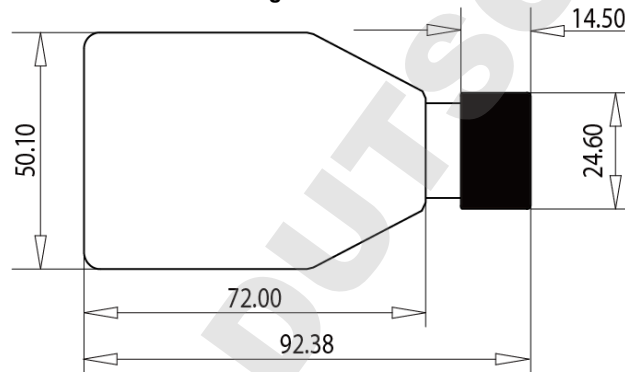
(1) T25 Cell Culture Flask (#70025/70125/70325/70225)

- Specifications

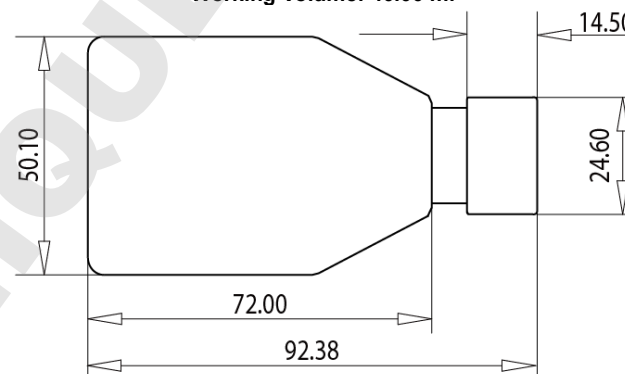
| Dimensions | | Material (Resin) | Packaging |
|-------------------------------------|---|--------------------------------|--|
| Cap | Body | | |
| Width: 24.60 mm Height: 14.50 mm | Length: 72.00 mm Width: 50.10 mm Height: 27.60 mm | Crystal-grade polystyrene (PS) | <ul style="list-style-type: none"> • Pieces/Sleeve: 5 • Pieces/Case: 200 |
| Total Volume: Growth Area: | 60.00 ml 25.00 cm ² | | |

- Technical Drawing

Cell Culture-Treated (#70025/70125) – Green Caps
Working Volume: 7.00 ml



Non-Treated (#70325/70225) – White Caps
Working Volume: 40.00 ml



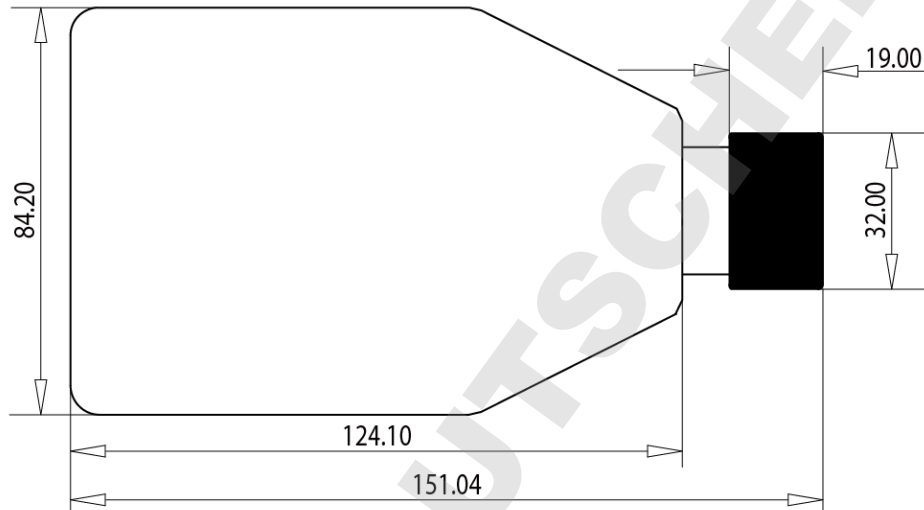
(2) T75 Cell Culture Flask (#70075/70175/70375/70275)

- Specifications

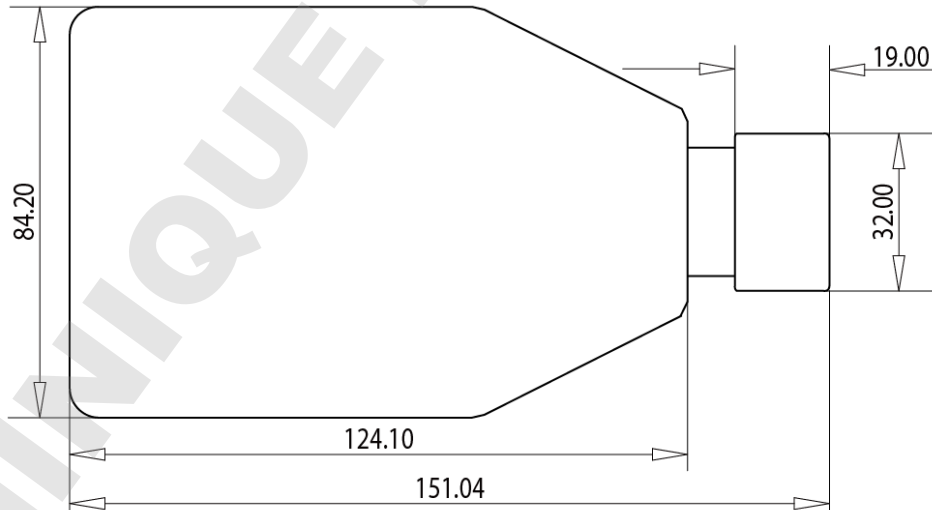
| Dimensions | | Material (Resin) | Packaging |
|---|--|--------------------------------|--|
| Cap | Body | | |
| Width: 32.00 mm Height: 19.00 mm | Length: 124.10 mm Width: 84.20 mm Height: 39.60 mm | Crystal-grade polystyrene (PS) | <ul style="list-style-type: none"> • Pieces/Sleeve: 5 • Pieces/Case: 100 |
| Total Volume: 250.00 ml Growth Area: 75.00 cm ² | | | |

- Technical Drawing

Cell Culture-Treated (#70075/70175) – Green Caps
Working Volume: 25.00 ml



Non-Treated (#70375/70275) – White Caps
Working Volume: 170.00 ml



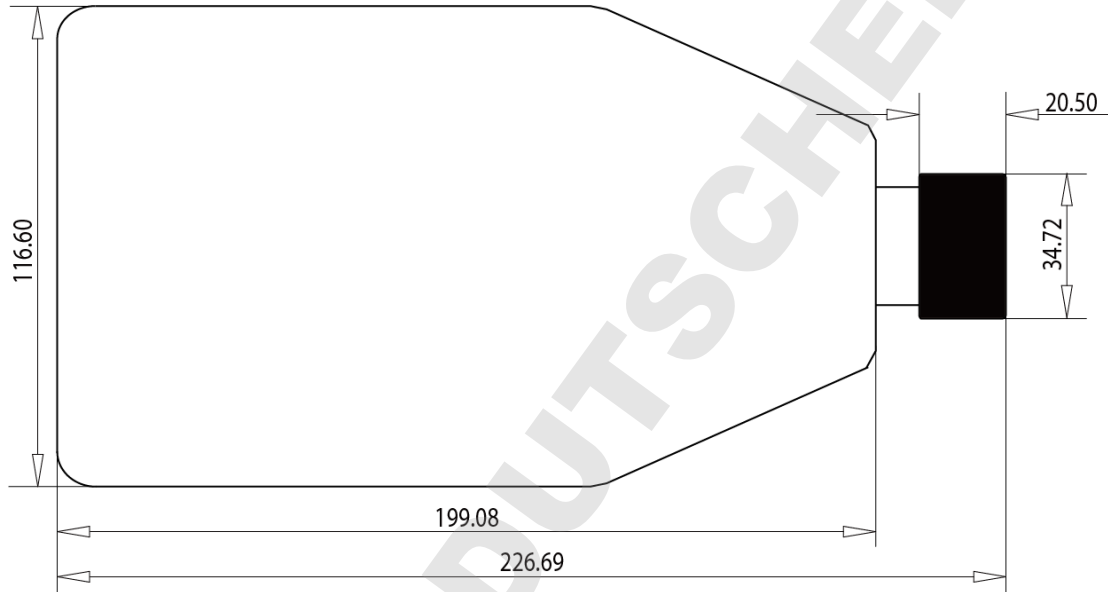
(3) T175 Cell Culture Flask (#71175/72175/74175/73175)

- Specifications

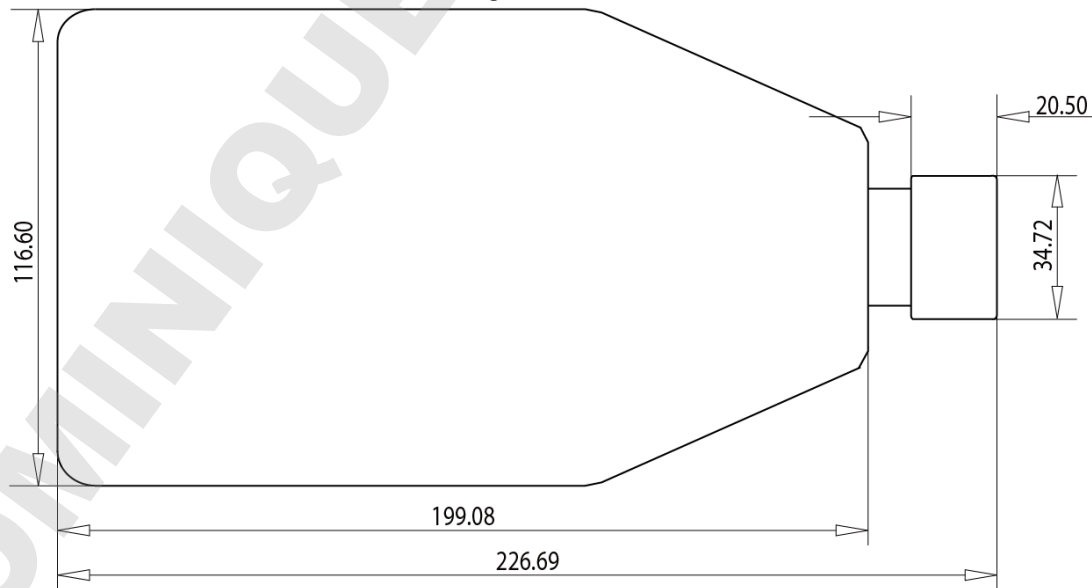
| Dimensions | | Material (Resin) | Packaging |
|---------------|----------|--------------------------------|---|
| Cap | Body | | |
| Width: | 34.72 mm | Crystal-grade polystyrene (PS) | <ul style="list-style-type: none"> • Pieces/Sleeve: 5 • Pieces/Case: 40 |
| Height: | 20.50 mm | | |
| | | | |
| Total Volume: | | 450.00 ml | |
| Growth Area: | | 175.00 cm ² | |

- Technical Drawing

Cell Culture-Treated (#71175/72175) – Green Caps
Working Volume: 50.00 ml



Non-Treated (#74175/73175) – White Caps
Working Volume: 450.00 ml



www.spllifesciences.com

For technical assistance, contact SPL R&D Center at:

Tel: +82-31-533-4800; Fax: +82-31-533-1430; e-mail: spl@ispl.co.kr

To place an order, contact your local distributor or

Tel: +82-31-533-4800; Fax: +82-31-533-1430; e-mail: business@ispl.co.kr

SPL-TDS-CCF

For Research Use Only. Not intended for use in diagnostic or therapeutic procedures.
© SPL Life Sciences Co., Ltd., Version 6, November 20th, 2018