

## Cell Culture Flask

(#70025/70125/70325/70225/70075/70157/70375/70275/71175/72175/74175/73175)

### 1. Description

Cell Culture Flasks of SPL Life Sciences are ergonomically designed for easy handling, while achieving minimal contamination during cell culture. Short, wide and angled neck design enables easy access of serological pipettes and cell scrapers. Flasks are divided into 6 types, depending on the culture scale and the cap type. Cell growth area for T25, T75 and T175 are 25 cm<sup>2</sup>, 75 cm<sup>2</sup>, and 175 cm<sup>2</sup>, respectively. Each flask can be provided with plug or filter caps.

### 2. Features

- ❖ Ergonomic design to facilitate easy handling and minimize contamination
- ❖ Short & wide neck with angled design allow easy access
- ❖ Excellent stackability
- ❖ Plugs & filter caps are available for all flask models
- ❖ Cell growth area ranging from 25 cm<sup>2</sup>, 75 cm<sup>2</sup>, 175 cm<sup>2</sup>
- ❖ Venting position for 175 cm<sup>2</sup> plug cap model (Cat. No. 72175, 73175)
- ❖ Non-treated models (for suspension culture) are provided with white caps

### 3. Functional Test

Sterility	:	Passed
Cytotoxicity	:	Passed
Non-Pyrogenic	:	Passed
RNase/DNase free	:	Passed
DNA free	:	Passed

### 4. Product Range

#### T25 Flask

Cat.No.	Material	Cap Type	Growth Area (cm <sup>2</sup> )	Working Volume (ml)	Total Volume (ml)	Surface Treatment	Sterile	Packaging
70025	PS	Filter	25	7	60	+	+	5 / 200
70125	PS	Plug	25	7	60	+	+	5 / 200
70325	PS	Filter	25	40	60	-	+	5 / 200
70225	PS	Plug	25	40	60	-	+	5 / 200

#### T75 Flask

Cat.No.	Material	Cap Type	Growth Area (cm <sup>2</sup> )	Working Volume (ml)	Total Volume (ml)	Surface Treatment	Sterile	Packaging
70075	PS	Filter	75	25	250	+	+	5/100
70175	PS	Plug	75	25	250	+	+	5/100
70375	PS	Filter	75	170	250	-	+	5/100
70275	PS	Plug	75	170	250	-	+	5/100

#### T175 Flask

Cat.No.	Material	Cap Type	Growth Area (cm <sup>2</sup> )	Working Volume (ml)	Total Volume (ml)	Surface Treatment	Sterile	Packaging
71175	PS	Filter	175	50	650	+	+	5/40
72175	PS	Plug	175	50	650	+	+	5/40
74175	PS	Filter	175	450	650	-	+	5/40
73175	PS	Plug	175	450	650	-	+	5/40

SPL-TDS-CCF

For Research Use Only. Not intended for use in diagnostic or therapeutic procedures.  
© SPL Life Sciences Co., Ltd., Version 6, November 20<sup>th</sup>. 2018

## 5. Certification

SPL Life Sciences hereby certifies that the product identified above, inspected to be in compliance with product quality specification and requirements as documented in our ISO 9001:2015 Quality Management System (K-QA-Q031478) in Korea.

## 6. Specifications & Technical Drawing

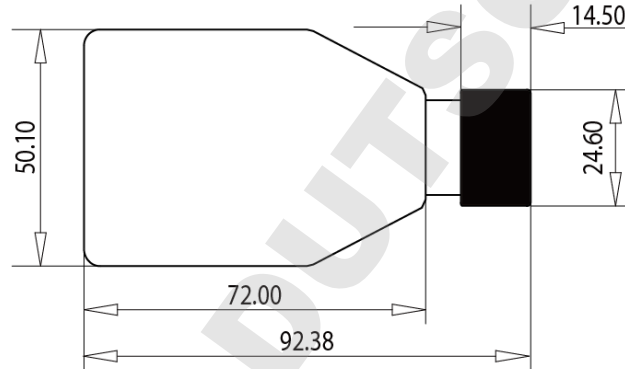
(1) T25 Cell Culture Flask (#70025/70125/70325/70225)

- Specifications

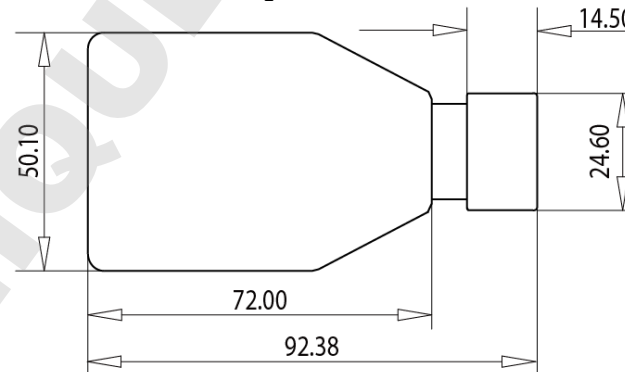
Dimensions		Material (Resin)	Packaging
Cap	Body		
Width: 24.60 mm Height: 14.50 mm	Length: 72.00 mm Width: 50.10 mm Height: 27.60 mm	Crystal-grade polystyrene (PS)	<ul style="list-style-type: none"> <li>• Pieces/Sleeve: 5</li> <li>• Pieces/Case: 200</li> </ul>
Total Volume: Growth Area:	60.00 ml 25.00 cm <sup>2</sup>		

- Technical Drawing

Cell Culture-Treated (#70025/70125) – Green Caps  
Working Volume: 7.00 ml



Non-Treated (#70325/70225) – White Caps  
Working Volume: 40.00 ml



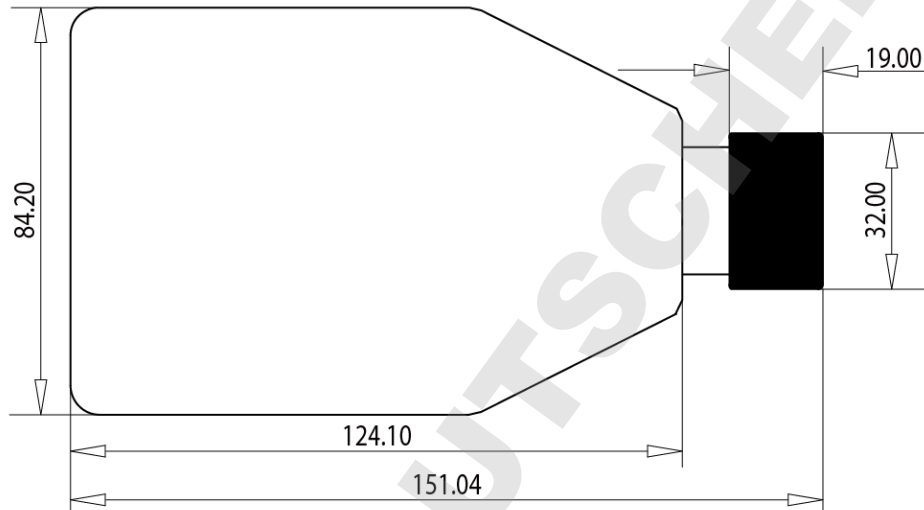
## (2) T75 Cell Culture Flask (#70075/70175/70375/70275)

## - Specifications

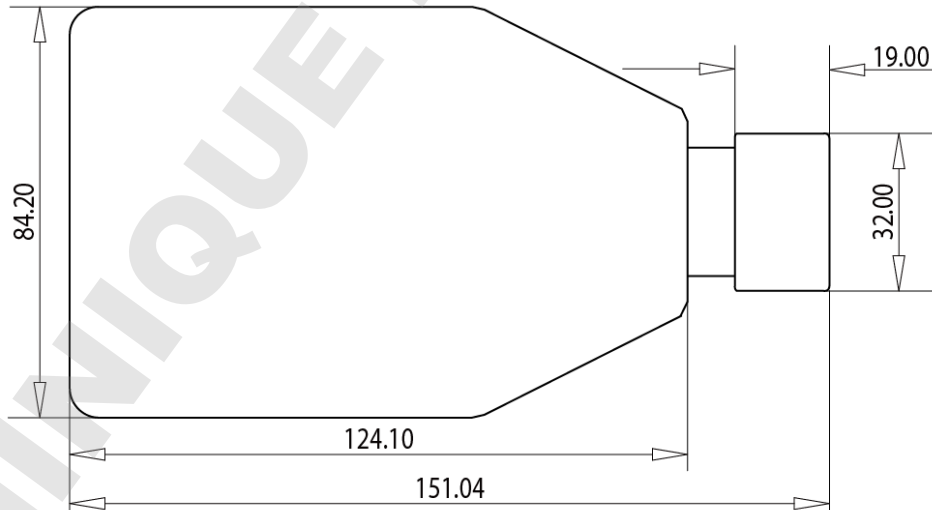
Dimensions		Material (Resin)	Packaging
Cap	Body		
Width: 32.00 mm Height: 19.00 mm	Length: 124.10 mm Width: 84.20 mm Height: 39.60 mm	Crystal-grade polystyrene (PS)	<ul style="list-style-type: none"> <li>• Pieces/Sleeve: 5</li> <li>• Pieces/Case: 100</li> </ul>
Total Volume: 250.00 ml Growth Area: 75.00 cm <sup>2</sup>			

## - Technical Drawing

Cell Culture-Treated (#70075/70175) – Green Caps  
Working Volume: 25.00 ml



Non-Treated (#70375/70275) – White Caps  
Working Volume: 170.00 ml



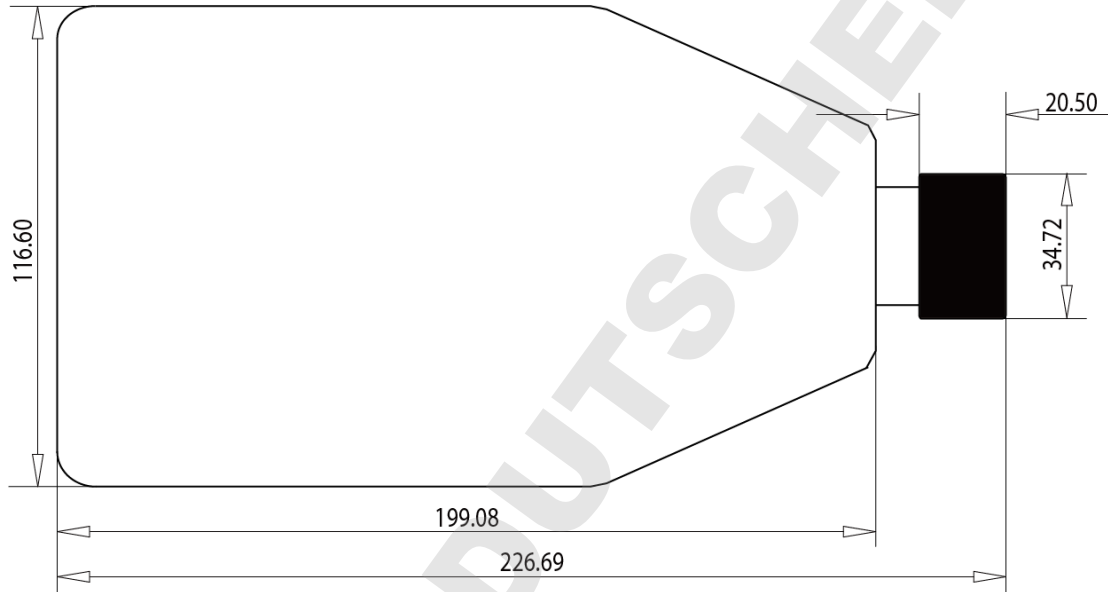
## (3) T175 Cell Culture Flask (#71175/72175/74175/73175)

## - Specifications

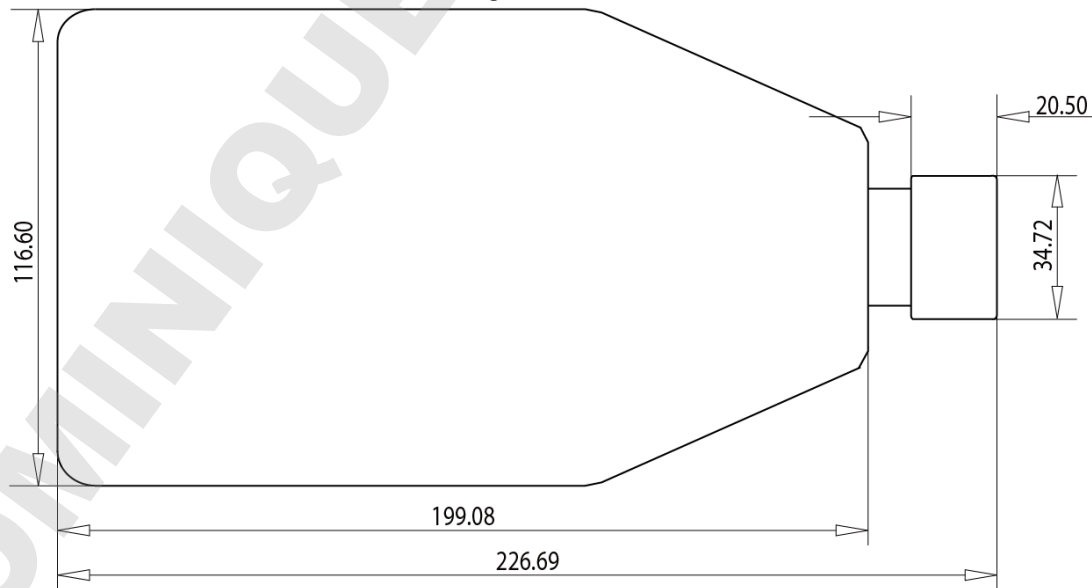
Dimensions		Material (Resin)	Packaging
Cap	Body		
Width:	34.72 mm	Crystal-grade polystyrene (PS)	<ul style="list-style-type: none"> <li>• Pieces/Sleeve: 5</li> <li>• Pieces/Case: 40</li> </ul>
Height:	20.50 mm		
Total Volume:		450.00 ml	
Growth Area:		175.00 cm <sup>2</sup>	

## - Technical Drawing

Cell Culture-Treated (#71175/72175) – Green Caps  
Working Volume: 50.00 ml



Non-Treated (#74175/73175) – White Caps  
Working Volume: 450.00 ml



[www.spllifesciences.com](http://www.spllifesciences.com)

For technical assistance, contact SPL R&D Center at:

Tel: +82-31-533-4800; Fax: +82-31-533-1430; e-mail: [spl@ispl.co.kr](mailto:spl@ispl.co.kr)

To place an order, contact your local distributor or

Tel: +82-31-533-4800; Fax: +82-31-533-1430; e-mail: [business@ispl.co.kr](mailto:business@ispl.co.kr)

SPL-TDS-CCF

For Research Use Only. Not intended for use in diagnostic or therapeutic procedures.  
© SPL Life Sciences Co., Ltd., Version 6, November 20<sup>th</sup>, 2018