

Cell Culture Dish

(#11035/11060/11090/11150/11151/20035/20060/20100/20101/20150/20151)

1. Description

SPL Life Sciences provides a wide range of Cell Culture Dishes with highest quality. All of the Cell Culture Dishes are produced with optically clear high quality polymers for microscopy.

2. Features

- ❖ Unique lid inner design for effective gas exchange
- ❖ External grip for better handling (Cat. No. 11035, 11060, 20035, 20060, 20101)
- ❖ Excellent stackability
- ❖ USP guideline compliant (USP class VI tested)

3. Functional Test

Sterility	:	Passed
Cytotoxicity	:	Passed
Non-Pyrogenic	:	Passed
RNase/DNase free	:	Passed
DNA free	:	Passed

4. Product Range

Cat. No.	Dish Style d x h (mm)	Internal Dimension d x h (mm)	Growth Area (cm ²)	Working Volume (ml)	External Grip	Surface Treatment	Sterile	Packaging
11035	35.00 x 10.00	35.00 x 9.60	9.40	3.00	+	-	+	10/500
11060	60.00 x 15.00	52.80 x 12.80	21.50	5.00	+	-	+	10/500
11090	90.00 x 15.00	85.73 x 12.60	57.50	12.50	-	-	+	10/500
11150	150.00 x 20.00	138.57 x 15.40	148.00	35.00	-	-	+	10/120
11151	150.00 x 25.00	138.57 x 23.30	148.00	35.00	-	-	+	10/120
20035	35.00 x 10.00	35.00 x 9.60	9.40	3.00	+	+	+	10/500
20060	60.00 x 15.00	52.80 x 12.80	21.50	5.00	+	+	+	10/500
20100	90.00 x 20.00	86.26 x 17.70	57.50	12.50	-	+	+	10/200
20101	90.00 x 20.00	87.48 x 16.40	57.50	12.50	+	+	+	10/200
20150	150.00 x 25.00	138.57 x 23.30	148.00	35.00	-	+	+	10/120
20151	150.00 x 20.00	138.57 x 15.40	148.00	35.00	-	+	+	10/120

5. Certification

SPL Life Sciences hereby certifies that the product identified above, inspected to be in compliance with product quality specification and requirements as documented in our ISO 9001:2015 Quality Management System (K-QA-Q031478) in Korea.

6. Specifications & Technical Drawing

(1) Cell Culture Dish Ø35 (# 11035/20035)

- Specifications

Dimensions		Material (Resin)	Packaging
Lid	Dish		
Diameter:	40.30 mm	Crystal-grade polystyrene (PS)	<ul style="list-style-type: none"> ▪ Pieces/Sleeve: 10 ▪ Pieces/Case: 500
Height:	6.00 mm		
Inner Diameter:	35.00 mm		
Inner Height:	9.60 mm		
Volume/Dish:	3.00 ml		
Growth Area:	9.40 cm ²		

- Technical Drawing



(2) Cell Culture Dish Ø60 (# 11060/20060)

- Specifications

Dimensions		Material (Resin)	Packaging
Lid	Dish		
Diameter:	58.00 mm	Crystal-grade polystyrene (PS)	<ul style="list-style-type: none"> ▪ Pieces/Sleeve: 10 ▪ Pieces/Case: 500
Height:	8.50 mm		
Inner Diameter:	52.80 mm		
Inner Height:	12.80 mm		
Volume/Dish:	5.00 ml		
Growth Area:	21.50 cm ²		

- Technical Drawing



(3) Cell Culture Dish Ø90, Non-treated (# 11090)

- Specifications

Dimensions		Material (Resin)	Packaging
Lid	Dish		
Diameter:	92.43 mm	Crystal-grade polystyrene (PS)	<ul style="list-style-type: none"> ▪ Pieces/Sleeve: 10 ▪ Pieces/Case: 500
Height:	8.76 mm		
Inner Diameter:	85.73 mm		
Inner Height:	12.60 mm		
Volume/Dish:	12.50 ml		
Growth Area:	57.50 cm ²		

- Technical Drawing

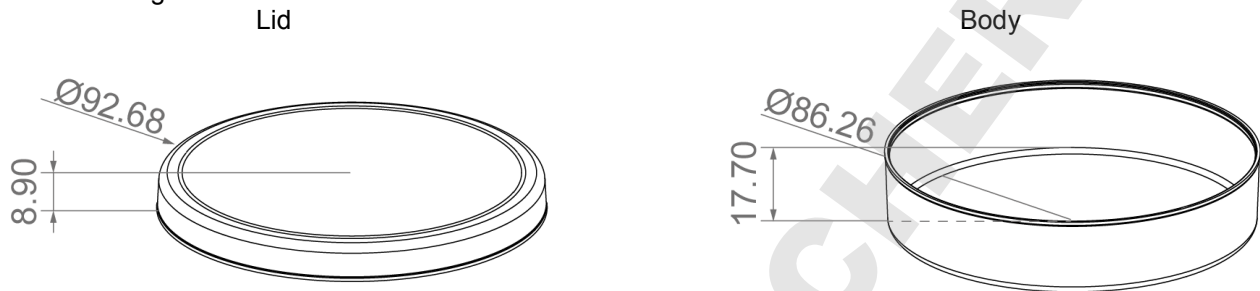


(4) Cell Culture Dish Ø90 (# 20100)

- Specifications

Dimensions		Material (Resin)	Packaging
Lid	Dish		
Diameter: 92.68 mm Height: 8.90 mm	Inner Diameter: 86.26 mm Inner Height: 17.70 mm Volume/Dish: 12.50 ml Growth Area: 57.50 cm ²	Crystal-grade polystyrene (PS)	<ul style="list-style-type: none"> • Pieces/Sleeve: 10 • Pieces/Case: 200

- Technical Drawing

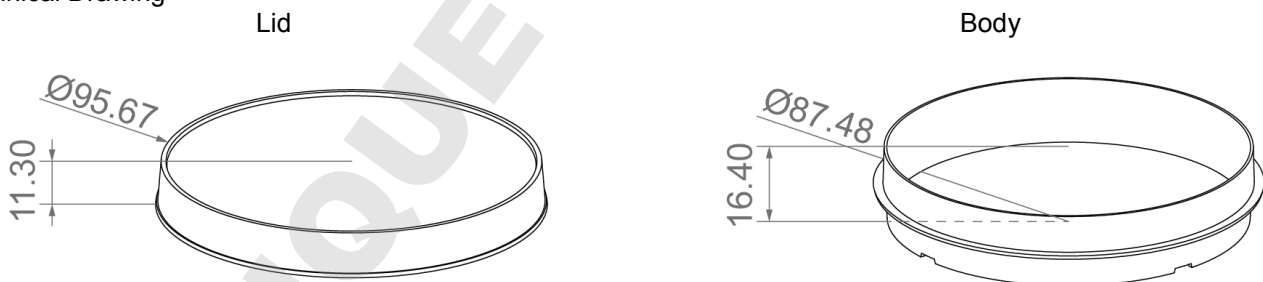


(5) Cell Culture Dish Ø90 External Grip (# 20101)

- Specifications

Dimensions		Material (Resin)	Packaging
Lid	Dish		
Diameter: 95.67 mm Height: 11.30 mm	Inner Diameter: 87.48 mm Inner Height: 16.40 mm Volume/Dish: 12.50 ml Growth Area: 57.00 cm ²	Crystal-grade polystyrene (PS)	<ul style="list-style-type: none"> • Pieces/Sleeve: 10 • Pieces/Case: 200

- Technical Drawing

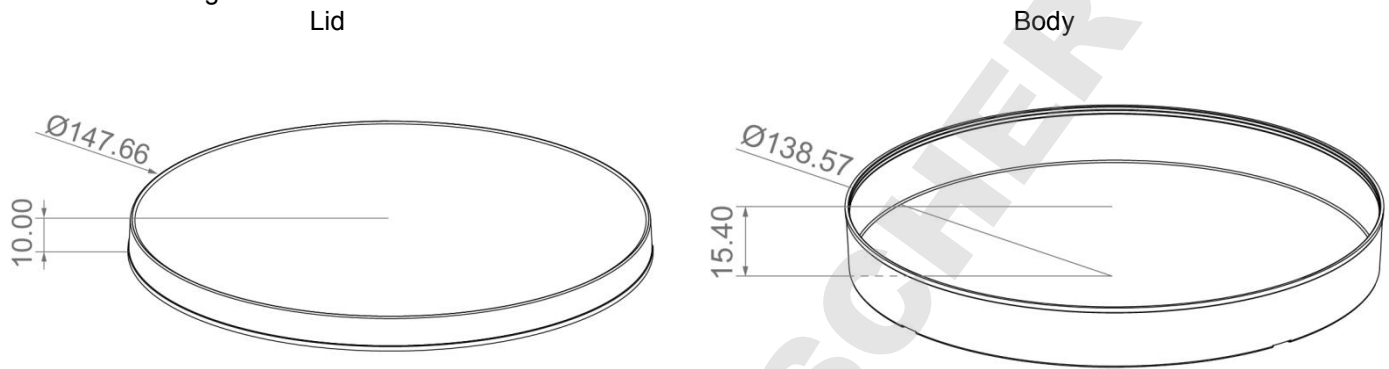


(6) Cell Culture Dish Ø150 (# 11150/20151)

- Specifications

Dimensions		Material (Resin)	Packaging
Lid	Dish		
Diameter: 147.66 mm Height: 10.00 mm	Inner Diameter: 138.57 mm Inner Height: 15.40 mm Volume/Dish: 35.00 ml Growth Area: 148.00 cm ²	Crystal-grade polystyrene (PS)	<ul style="list-style-type: none"> • Pieces/Sleeve: 10 • Pieces/Case: 120

- Technical Drawing

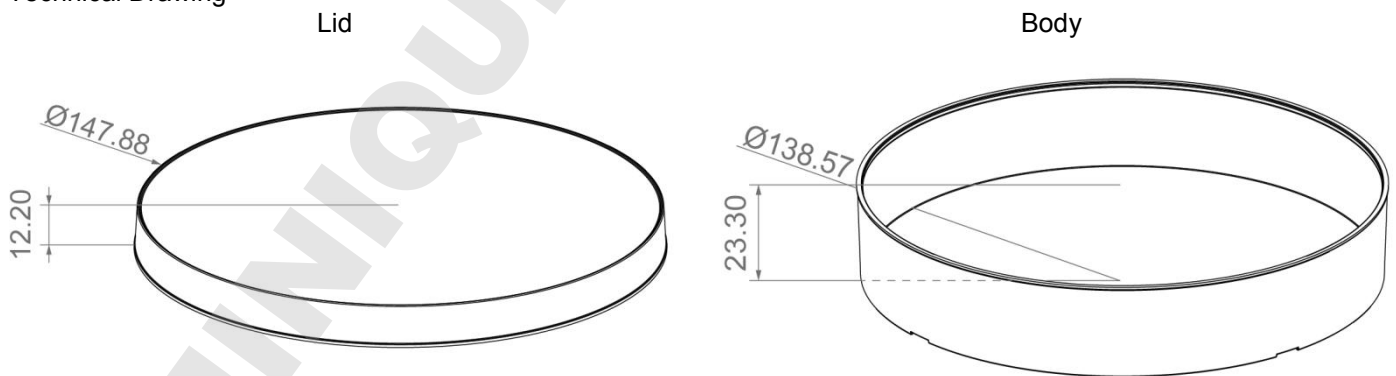


(7) Cell Culture Dish Ø150 High (# 11151/20150)

- Specifications

Dimensions		Material (Resin)	Packaging
Lid	Dish		
Diameter: 147.88 mm Height: 12.20 mm	Inner Diameter: 138.57 mm Inner Height: 23.30 mm Volume/Dish: 35.00 ml Growth Area: 148.00 cm ²	Crystal-grade polystyrene (PS)	<ul style="list-style-type: none"> • Pieces/Sleeve: 10 • Pieces/Case: 120

- Technical Drawing



www.spllifesciences.com

For technical assistance, contact SPL R&D Center at:

Tel: +82-31-533-4800; Fax: +82-31-533-1430; e-mail: spl@ispl.co.kr

To place an order, contact your local distributor or

Tel: +82-31-533-4800; Fax: +82-31-533-1430; e-mail: business@ispl.co.kr

SPL-TDS-CCD

For Research Use Only. Not intended for use in diagnostic or therapeutic procedures.
© SPL Life Sciences Co., Ltd., Version 5, November 20th, 2018