

10mL Screw Cap Transport Tube

Item# 6102, 6102B, 6102C, 6102G, 6102R, 6102S, 6102Y, 6102-TUBE, 6102AM,
6103-CAP-B, 6103-CAP-G, 6103-CAP-R, 6103-CAP-W, 6103-CAP-Y



Description

These popular tubes are designed for the safe storage and transport of biological materials. The transparent polypropylene (PP) vials allow unobstructed viewing of the sample. The vials are shatter-proof and may be exposed to freezing temperatures. They feature leak-resistant screw caps that can be removed or sealed in a single turn.

Features

- Molded graduations
- Self-standing with conical bottom
- Shatter-proof polypropylene tubes
- Leak-resistant polyethylene (PE) screw caps engineered and tested to perform at a 95 kPa specification
- Frosted writing area

Technical Specifications

Material:	Tube: Polypropylene (PP)
	Cap: High density polyethylene (HDPE)
Dimensions:	16 x 93mm
Autoclavable:	Yes (without cap) 121°C for 15 minutes
Temperature Range:	-80°C to +121°C
Graduations:	Molded, 1mL to 10mL at 1mL increments
Non-Sterile:	6102, 6102B, 6102C, 6102G, 6102R, 6102Y, 6102-Tube, 6102AM
Sterile:	6102S

10mL Screw Cap Transport Tube

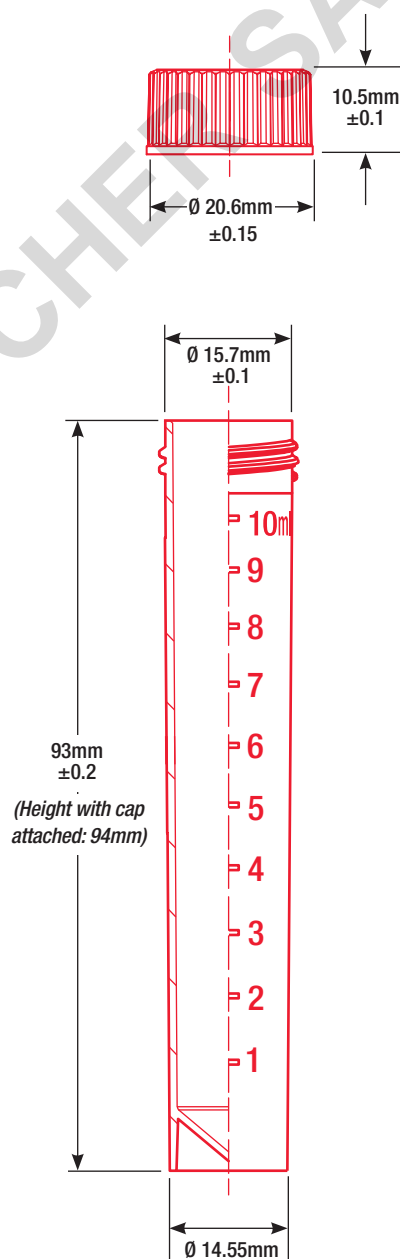
Item# 6102, 6102B, 6102C, 6102G, 6102R, 6102S, 6102Y, 6102-TUBE,
6103-CAP-B, 6103-CAP-G, 6103-CAP-R, 6103-CAP-W, 6103-CAP-Y

Products

Item #	Description	Unit
6102	10mL Transport tube, white screw cap, unassembled, 250/Bag, 4 Bags/Case	1000
6102B	10mL Transport tube, blue screw cap, unassembled, 250/Bag, 4 Bags/Case	1000
6102C	10mL Transport tube, white screw cap attached, 250/Bag, 4 Bags/Case	1000
6102G	10mL Transport tube, green screw cap, unassembled, 250/Bag, 4 Bags/Case	1000
6102R	10mL Transport tube, red screw cap, unassembled, 250/Bag, 4 Bags/Case	1000
6102Y	10mL Transport tube, yellow screw cap, unassembled, 250/Bag, 4 Bags/Case	1000
6102-TUBE	10mL Transport tube (no caps)	1000
6102AM	10mL Amber transport tube, white screw cap, unassembled, 250/Bag, 4 Bags/case	1000
6102S	10mL transport tube, white screw cap attached, STERILE , 25/Bag, 20 Bags/Case	500

Screw Caps Only

Item #	Description	Unit
6103-CAP-B	Screw cap, blue, 1000/pack	1000
6103-CAP-G	Screw cap, green, 1000/pack	1000
6103-CAP-R	Screw cap, red, 1000/pack	1000
6103-CAP-W	Screw cap, white, 1000/pack	1000
6103-CAP-Y	Screw cap, yellow, 1000/pack	1000



Customer service, sales and technical support:

Phone 1 (800) 394-4562 • 1 (201) 599-1400
Fax 1 (201) 599-1406
E-mail mail@globescientific.com

Globe Scientific

400 Corporate Drive • Mahwah, NJ 07430
www.globescientific.com