



Poupinel dry heat sterilizer "Dryterm"

ADJUSTABLE TEMPERATURES FROM 60 °C UP TO 250 °C.
STABILITY: ± 10 °C.

APPLICATIONS

For surgical sterilization of diverse instruments surgical odontological, etc.

FEATURES

Heating by shielded elements in the base that provides a rapid rise in temperature.

Flap door.

Inner chamber made of AISI 304 stainless steel, complete with a heater cover, three shelf runners and two perforated shelves 10 mm high.

Epoxy-coated outer casing.

SAFETY

Over temperature cut out incorporated. EN.61010 Standard.

CONTROL PANEL

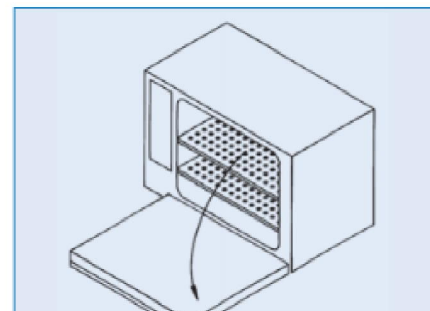
Hydraulic thermostat temperature control.

Locking device for thermostat knob.

Timer 0 to 120 min. with automatic switch off.

Heater "ON" indicator.

Analogue temperature reading thermometer.



MODEL

Part No.	Capacity litres	Height / Width / Depth (interior) cm	Height / Width / Depth (exterior) cm	Power W	Weight Kg
2000787	19	25 32 23	37 54 34	770	19