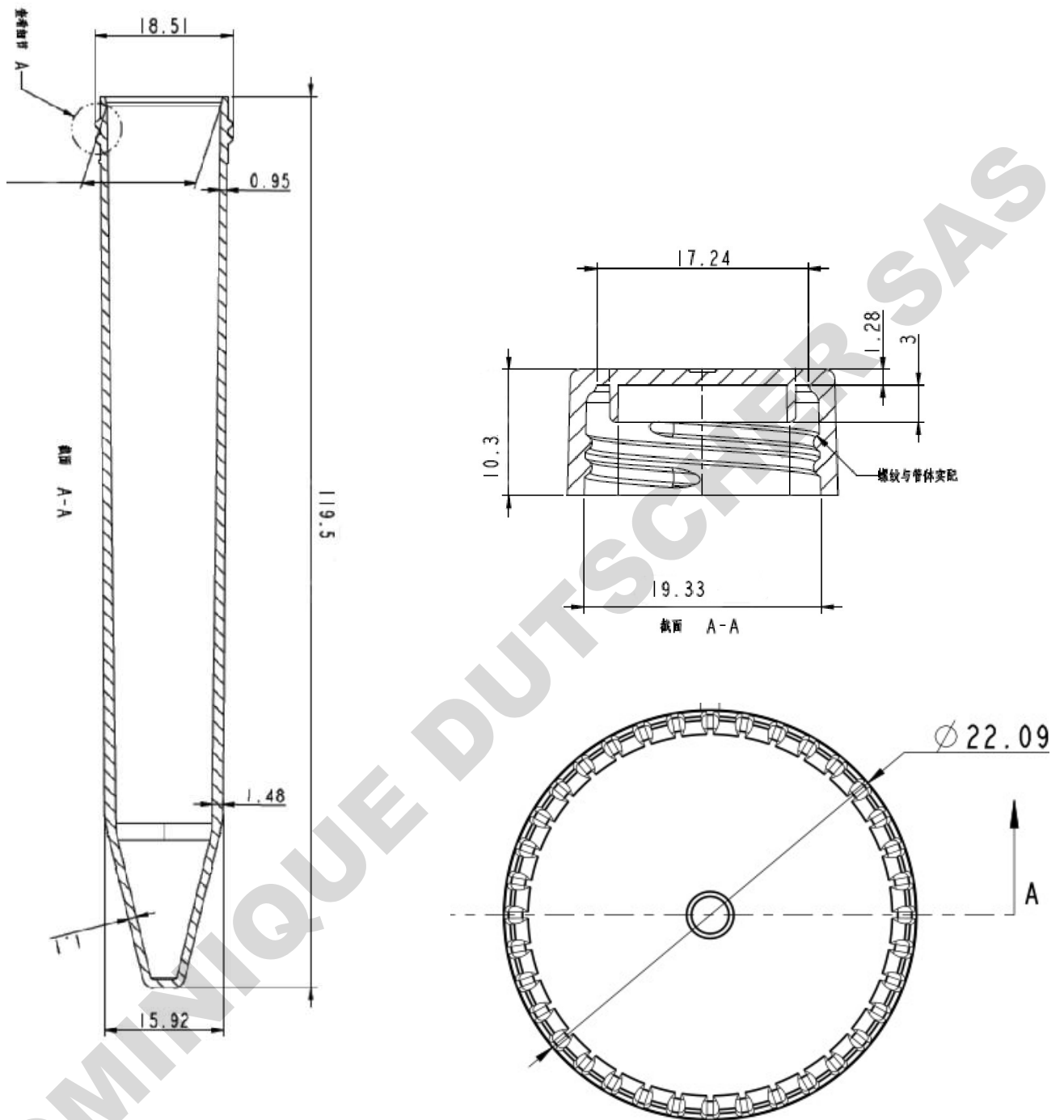


Tube 15 ml – Schéma technique



Maximum outer diameter of cap (mm)	Outer diameter of TUBE body (mm)	Cap height (mm)	Tube Height (mm)	Volume (ml)
22,09	18,51	10,3	119,5	15