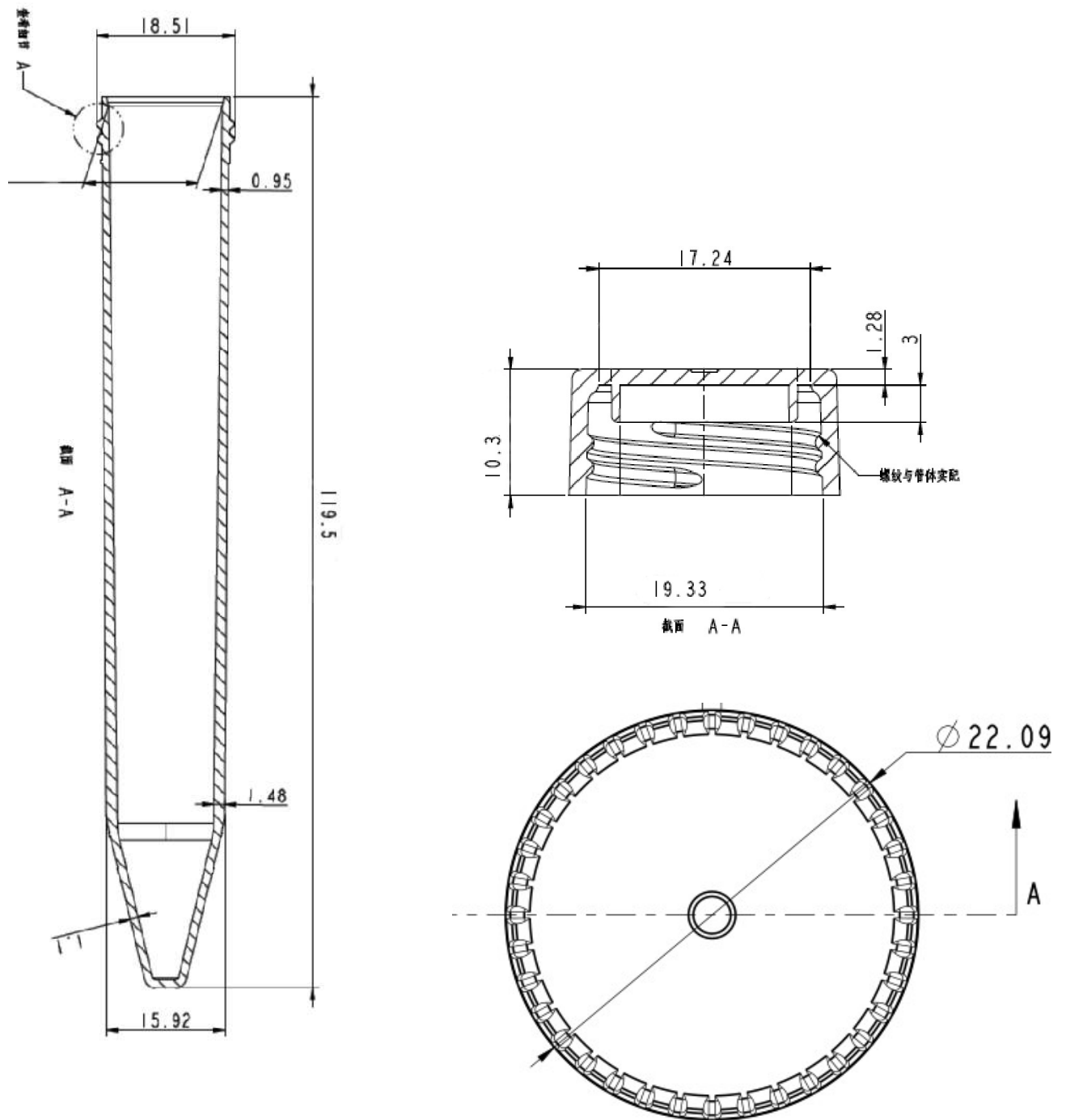


Tube 15 ml – Schéma technique



| Maximum outer diameter of cap (mm) | Outer diameter of TUBE body (mm) | Cap height (mm) | Tube Height (mm) | Volume (ml) |
|------------------------------------|----------------------------------|-----------------|------------------|-------------|
| 22,09 | 18,51 | 10,3 | 119,5 | 15 |