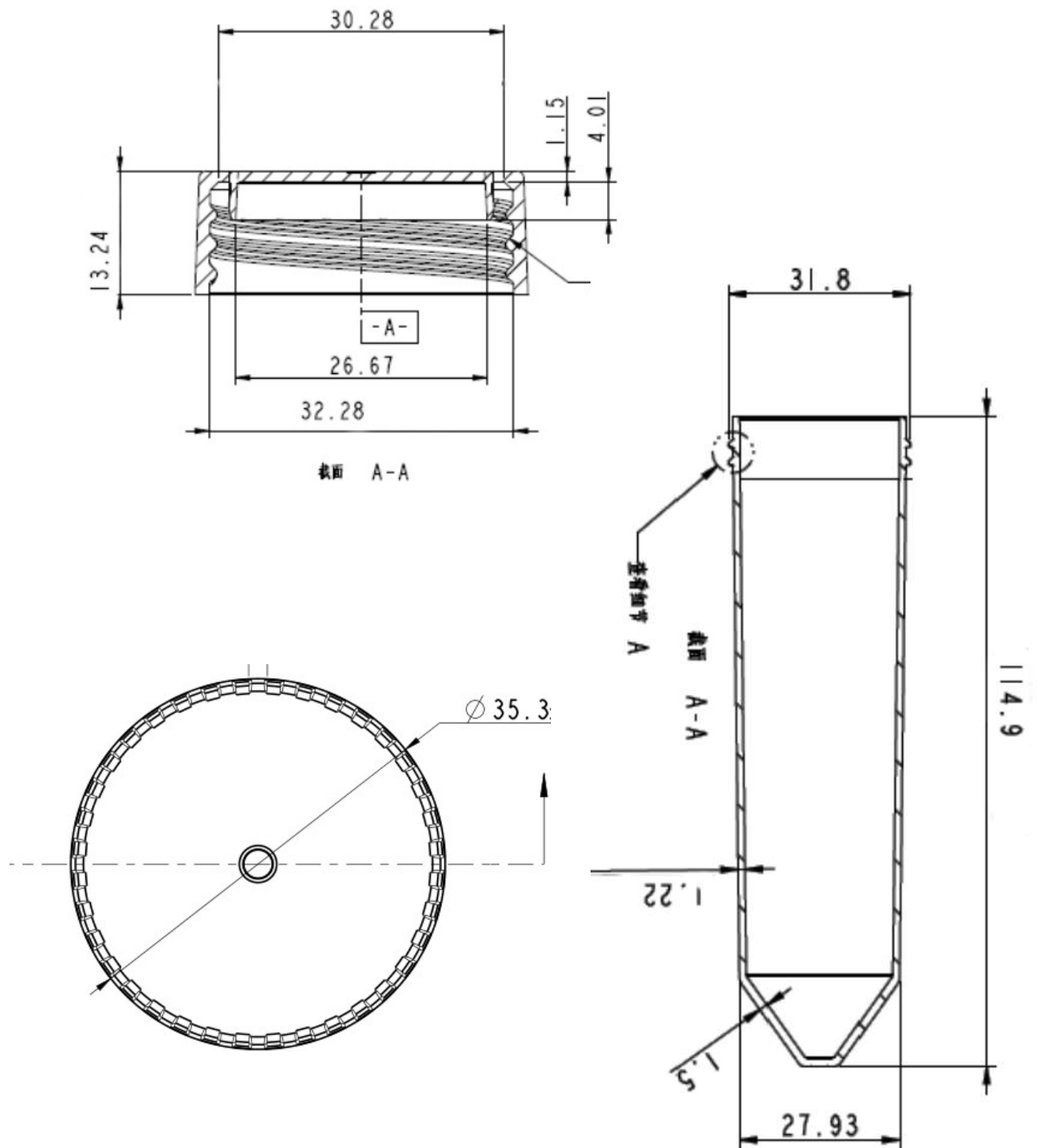


Tube 50 ml – Schéma technique



Maximum outer diameter of cap (mm)	Outer diameter of TUBE body (mm)	Cap height (mm)	Tube Height (mm)	Volume (ml)
$\phi 35.3$	$\phi 31.8$	13,24	114,9	50