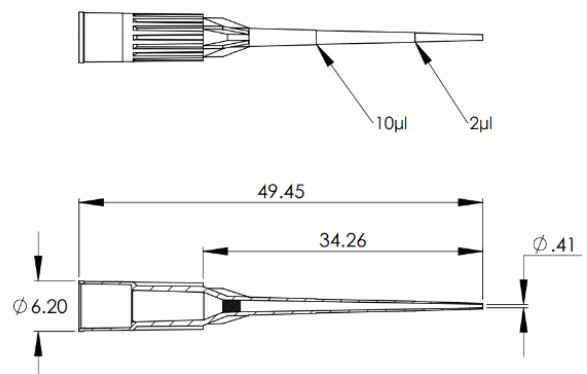


20 µl filter tip, LTS compatible, graduated, sterile, MultiRack, red tray
ClearLine

- Volume : 20 µl
- Longueur : 49,5 mm
- Packaging : In rack Clearline Plus - 10 x 96
- Compatibility : Compatible with Rainin LTS™ micropipettes
- Tray color : red
- Low retention : no
- Autoclavable : no
- Sterile : yes
- Filter : yes
- Color : natural
- Graduation : 2, 10
- Material : polypropylene

**Units : 960**