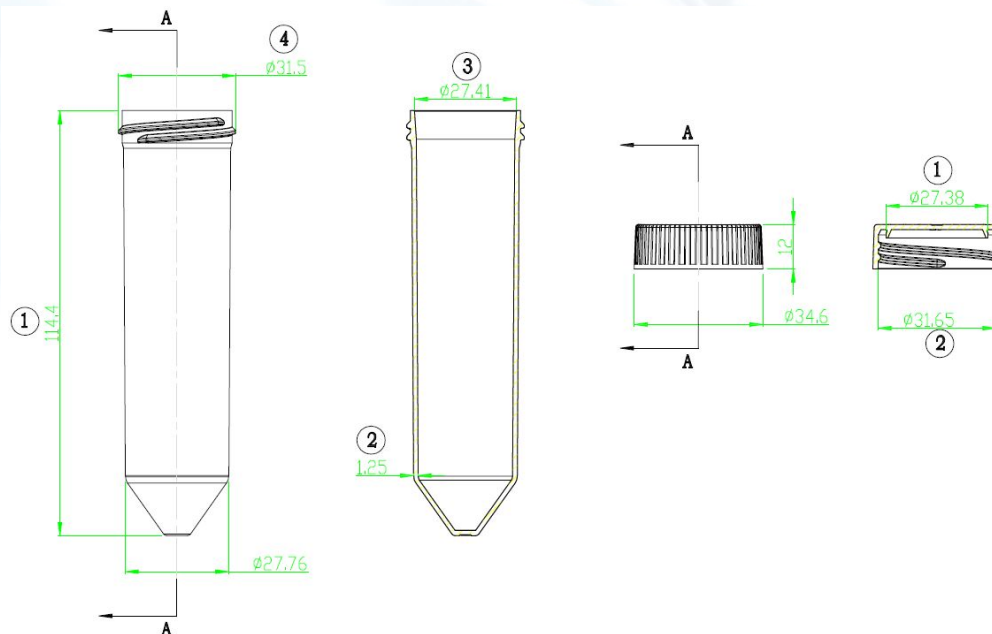


### ClearLine centrifuge tubes

Polypropylene tube  
Dnase, Rnase free / endotoxine free / PCR inhibitor free / non cytotoxique  
Polyethylene cap  
Bidirectional grading  
Bottom tube graduations  
Max freeze level  
Marking surface  
Sterile (SAL 10-6)  
Conical bottom, skirted  
Autoclavable (max. °C) 121°C  
Max centrifugation speed : 12 000 g  
Perfect Leakproof: at -95kPa (14psi)  
Maximum accuracy of graduations at  $\pm 2\%$   
Volume (ml) : 50  
Packaging : Bulk, bag of 25 tubes

**Units :**

500