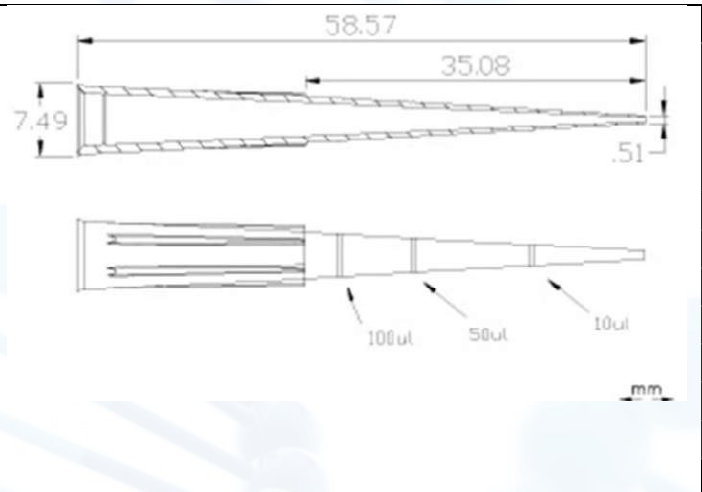


Clearline tips 300µL Hybridrack ClearLine® sterile

- In clear polypropylene
- Store in a clean and dry place, at room temperature
- Each batch number is certified : RNase, DNase free, Human DNA free, PCR inhibitor free and pyrogen free
- Traceability : 5 digit batch number, part number, volumetric tips, volumetric tips and their expiration date.

Part number	258363
Packaging	HybridRack: cardboard rack with recyclable tip tray. (10 racks of 96 tips)
Volume	300 µl
Graduation	10, 50, 100
Length	58,5 mm
Color	Natural
Filter	No
Low Retention	No
Sterility	Yes
Autoclavable	Yes



Units :
960 Tips