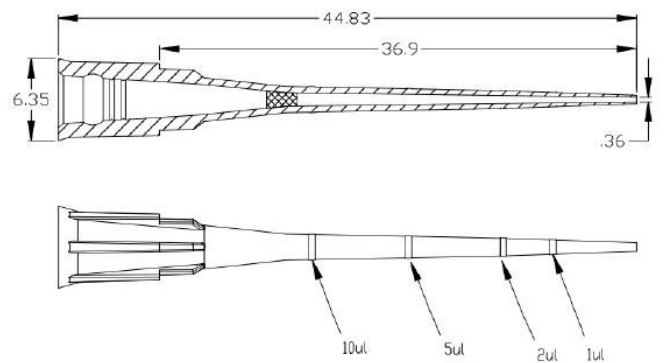


### Clearline tips 200µL Hybridrack ClearLine® sterile

- In clear polypropylene
- Store in a clean and dry place, at room temperature
- Each batch number is certified : RNase, DNase free, Human DNA free, PCR inhibitor free and pyrogen free
- Traceability : 5 digit batch number, part number, volumetric tips, volumetric tips and their expiration date.

<b>Part number</b>	258362
<b>Packaging</b>	HybridRack: cardboard rack with recyclable tip tray. (10 racks of 96 tips)
<b>Volume</b>	200 µl
<b>Graduation</b>	10, 50, 100
<b>Length</b>	51,44 mm
<b>Color</b>	Natural
<b>Filter</b>	No
<b>Low Retention</b>	Yes
<b>Sterility</b>	Yes
<b>Autoclavable</b>	Yes



**Units :**  
960 Tips