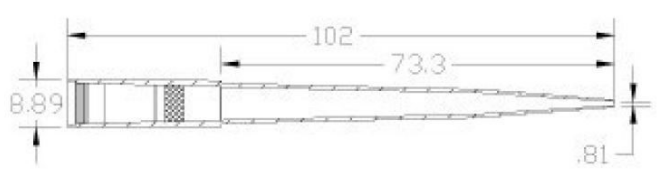
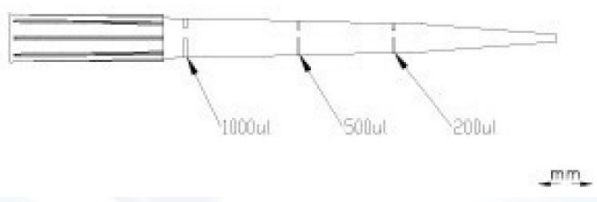


### Clearline tips 1250 µL Hybridrack ClearLine® sterile low retention

- In clear polypropylene
- Store in a clean and dry place, at room temperature
- Each batch number is certified : RNase, DNase free, Human DNA free, PCR inhibitor free and pyrogen free
- Traceability : 5 digit batch number, part number, volumetric tips, volumetric tips and their expiration date.

<b>Part number</b>	258360	
<b>Packaging</b>	HybridRack: cardboard rack with recyclable tip tray. (8 racks of 96 tips)	
<b>Volume</b>	50 - 1250 µl	
<b>Graduation</b>	200, 500, 1000	
<b>Length</b>	102 mm	
<b>Color</b>	Natural	
<b>Low Retention</b>	Yes	
<b>Sterility</b>	Yes - irradiation gamma	



**Units :**  
768 Tips