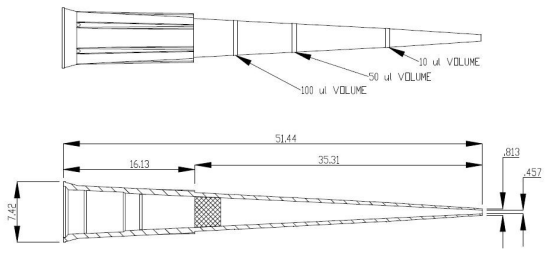


### Clearline tips 100 µL Hybridrack ClearLine® sterile low retention

- In clear polypropylene
- Store in a clean and dry place, at room temperature
- Each batch number is certified : RNase, DNase free, Human DNA free, PCR inhibitor free and pyrogen free
- Traceability : 5 digit batch number, part number, volumetric tips, volumetric tips and their expiration date.

<b>Part number</b>	258357	<p>100 µL STANDARDIZATION (Metric)</p> 
<b>Packaging</b>	HybridRack: cardboard rack with recyclable tip tray. (10 racks of 96 tips)	
<b>Volume</b>	1 - 100 µl	
<b>Graduation</b>	non	
<b>Length</b>	50,7 mm	
<b>Color</b>	Natural	
<b>Low Retention</b>	Yes	
<b>Sterility</b>	Yes - gamma	



**Units :**  
960 Tips