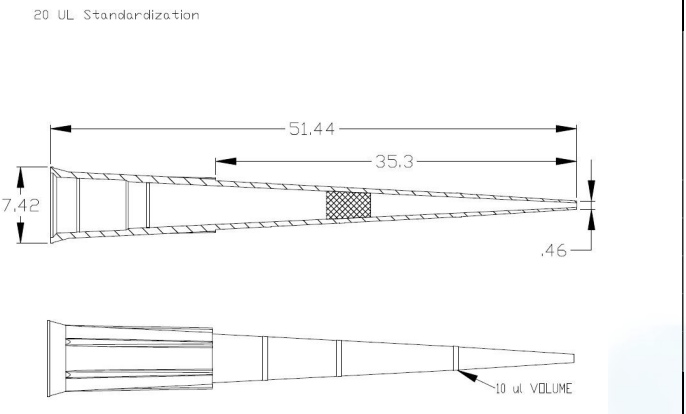


Clearline tips 20 µL Hybridrack ClearLine® sterile low retention

- In clear polypropylene
- Store in a clean and dry place, at room temperature
- Each batch number is certified : RNase, DNase free, Human DNA free, PCR inhibitor free and pyrogen free
- Traceability : 5 digit batch number, part number, volumetric tips, volumetric tips and their expiration date.

| | | |
|----------------------|---|---|
| Part number | 258356 |  |
| Packaging | HybridRack: cardboard rack with recyclable tip tray. (10 racks of 96 tips) | |
| Volume | 1 - 20 µl | |
| Graduation | non | |
| Length | 50,7 mm | |
| Color | Natural | |
| Low Retention | Yes | |
| Sterility | Yes - gamma | |



Units :
960 Tips