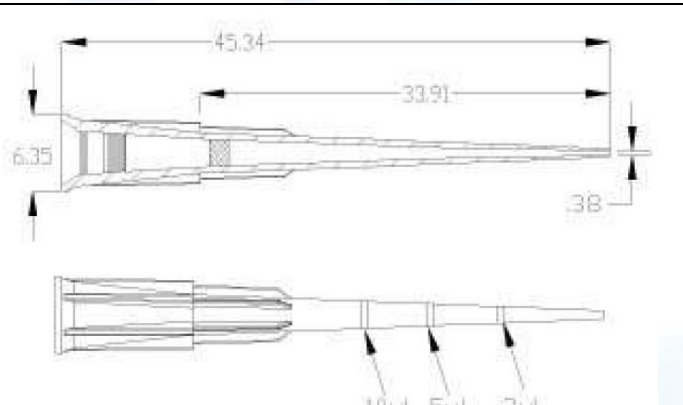
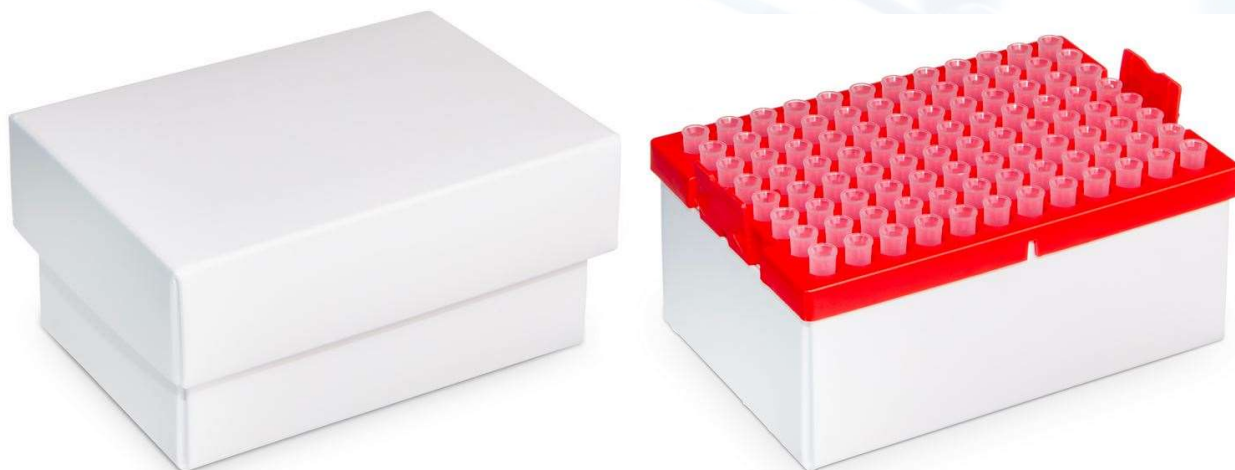


Clearline tips 10 μ L Hybridrack ClearLine® sterile low retention

- In clear polypropylene
- Store in a clean and dry place, at room temperature
- Each batch number is certified : RNase, DNase free, Human DNA free, PCR inhibitor free and pyrogen free
- Traceability : 5 digit batch number, part number, volumetric tips, volumetric tips and their expiration date.

Part number	258355	
Packaging	HybridRack: cardboard rack with recyclable tip tray. (10 racks of 96 tips)	
Volume	0.1 - 10 μ L	
Graduation	2, 5, 10	
Length	45 mm	
Color	Natural	
Low Retention	Yes	
Sterility	Yes - gamma	



Units :
960 Tips