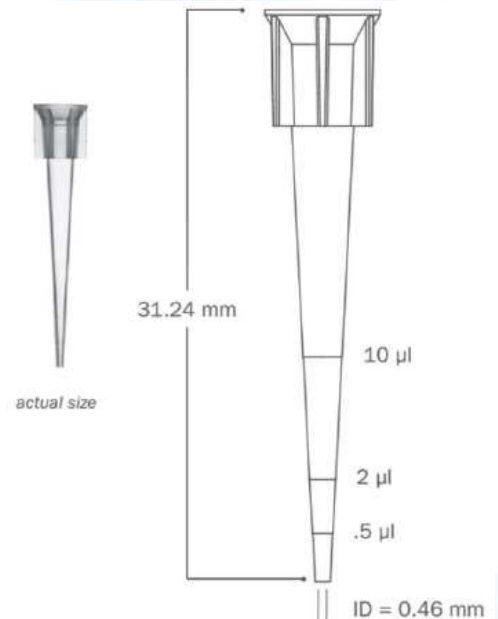


10µl Clearline Prime natural racked tips sterile low retention**Features**

- ClearLine® Prime long graduated tips 10 µl
- Material: Natural Virgin Polypropylene Tips
- Without filter
- Sterile (e-beam)
- Low retention
- Universal compatibility
- Autoclavable
- Storage: Store in a clean, dry place at room temperature.
- Quality control: Each batch is certified: RNase, DNase-free, free of human DNA, endotoxins and pyrogens
- Traceability: On each rack: a 5-digit batch number, the reference and the volume of the tips as well as their expiry date.

Conditioning

- 10 x 96 tips, in hinged rack refill system

Units :

960 Tips