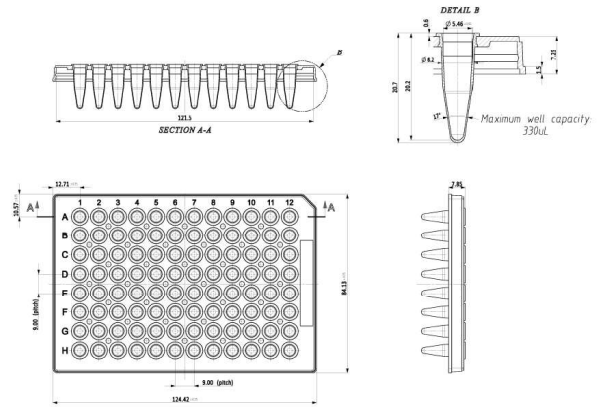


**DATASHEET****PART NUMBER****257300**

## SolidFrame PCR plates

### Description :

- The rigid semi-skirted frame remains dimensionally stable during thermal cycling, which facilitates reliable robotic handling and ensures that the seal to each well is not compromised during thermal cycling
- Thin-walled tubes made from 100% virgin medical grade polypropylene
- Rigid polycarbonate frame
- Standard profile wells have a maximum capacity of 330 µl
- Manufactured to the highest quality standards for your PCR and qPCR applications
- Our 2-component Universal style design features a semi-skirt frame and standard height wells for compatibility with a wide range of instruments
- Certified free from Dnase, Rnase, nucleases and human gDNA

### Specification :

- Number of well : 96
- Frame color : natural
- Well color : white high sensitive
- Skirt : half-skited
- Style : Universel
- Well volume : 0,2 ml

**Units : 50 plates**