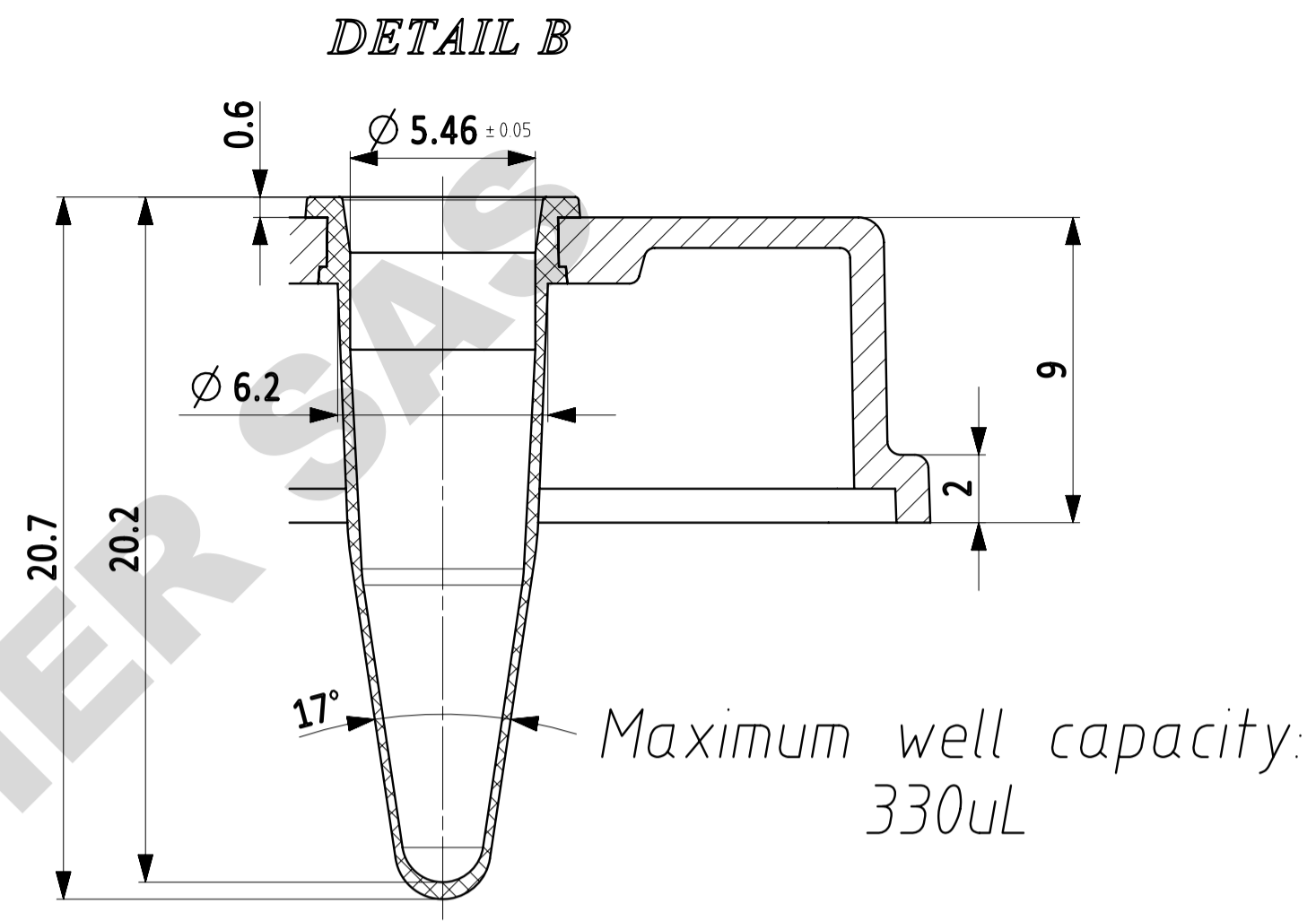


SECTION A-A



Maximum well capacity:
330uL

