

ClearLine®

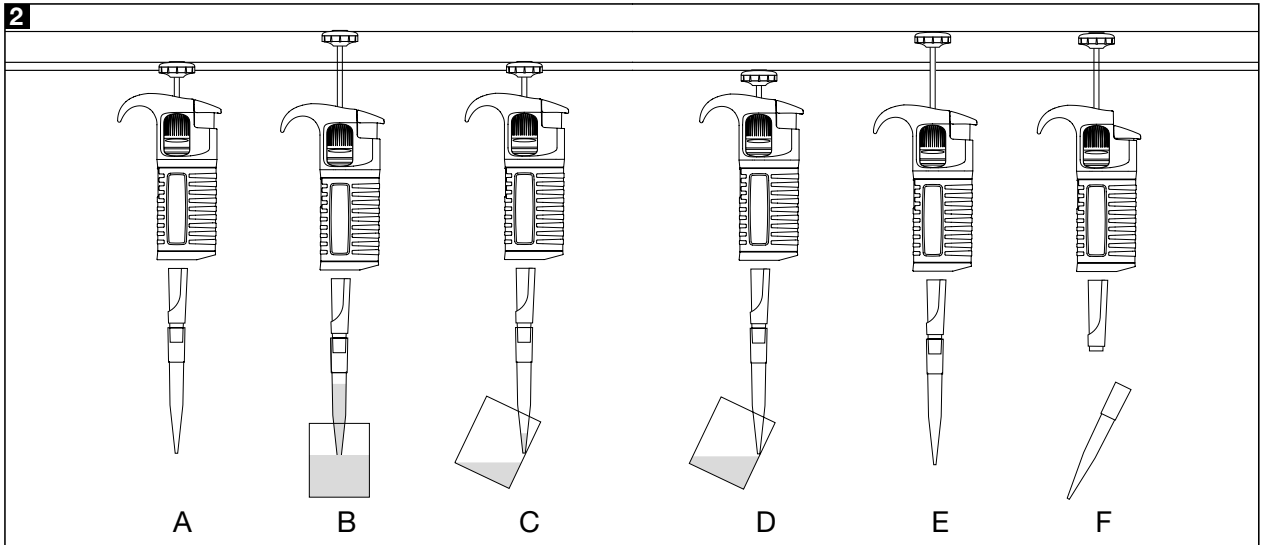
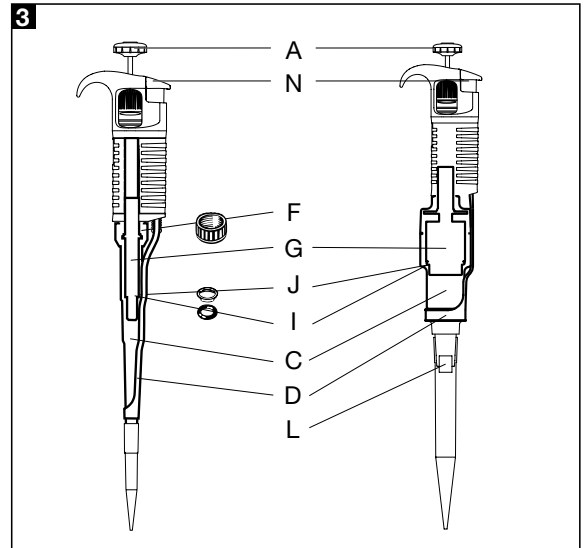
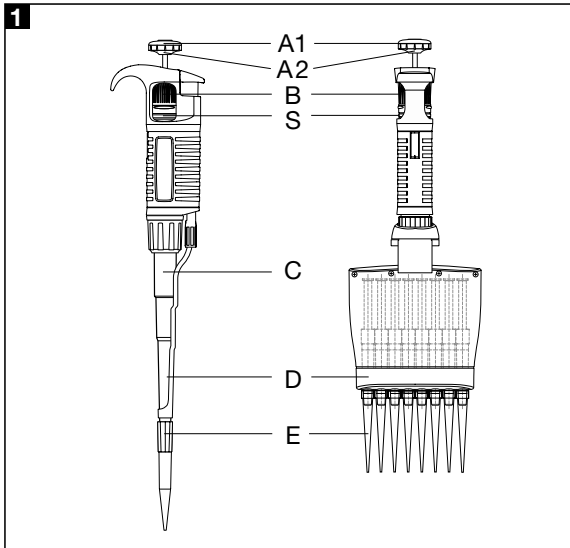
Pipette

ENGLISH	4 - 19
FRANÇAIS	20 - 36



Dominique DUTSCHER SAS

30, rue de l'Industrie - 67172 Brumath - FRANCE
info@dutscher.com



Contents

- 1. Introduction
- 2. Setting the Volume
- 3. Aspirating and Dispensing
- 4. Tip Ejector
- 5. Pre-rising
- 6. Dense and Viscous Liquids
- 7. Pipette Tips
- 8. Recommendations
- 9. Recalibration
- 10. Troubleshooting
- 11. Cleaning and Sterilization
- 12. Pipette Kit
- 13. Spare Parts and Accessories

1. Introduction

The **ClearLine** single channel pipette is a volumetric instrument designed to measure and transfer liquids precisely and safely. It can measure and transfer volumes from 0.1 µl to 10000 µl depending on the model.

Model	Cat. No.	Volume range [µl]
2	257029	0.1 - 2
10	257030	0.5 - 10
20	257031	2 - 20
100	257032	10 - 100
200	257033	20 - 200
1000	257034	100 - 1000
5000	257035	500 - 5000
10000	257036	1000 - 10 000

The **ClearLine** multichannel pipettes have been designed for the filling of laboratory microplates. The pipettes enable precise and simultaneous delivery of 8 or 12 preset-volume doses of liquid.

Model	Cat. No.	Volume range [µl]
8-10 12-10	257037 257041	0.5 - 10
8-50 12-50	257038 257042	5 - 50
8-200 12-200	257039 257043	20 - 200
8-300 12-300	257040 257044	50 - 300

The volume range is shown on the pipetting pushbutton (Fig. 1A1).

The accuracy and precision (repeatability) of liquid volume depend on the quality of tips used. The values for accuracy and precision given in the table below were obtained using ClearLine tips.

Model	Volume [µl]	Accuracy [%]	Precision [%]	Fit to tips* [µl]
2	0.2	± 12.0	± 2.8	10
	1.0	± 2.7	± 0.6	
	Max 2.0	± 1.5	± 0.4	
10	Min 0.5	± 4.0	± 2.8	
	5.0	± 1.0	± 0.6	
	Max 10.0	± 0.5	± 0.4	
20	Min 2	± 3.0	± 1.5	200
	10	± 1.0	± 0.5	
	Max 20	± 0.8	± 0.3	
100	Min 10	± 1.6	± 0.80	
	50	± 0.8	± 0.24	
	Max 100	± 0.8	± 0.20	
200	Min 20	± 1.2	± 0.60	
	100	± 0.8	± 0.25	
	Max 200	± 0.6	± 0.20	
1000	Min 100	± 1.6	± 0.40	1000
	500	± 0.7	± 0.20	
	Max 1000	± 0.6	± 0.15	
5000	Min 500	± 1.2	± 0.50	5000
	2500	± 0.6	± 0.20	
	Max 5000	± 0.5	± 0.15	
10000	Min 1000	± 2.5	± 0.6	10000
	5000	± 0.8	± 0.3	
	Max 10000	± 0.5	± 0.2	

* Non-filtered tip suggestion

Model	Volume [µl]	Accuracy [%]	Precision [%]	Fit to tips* [µl]
8-10 12-10	Min 0.5	±10.0	± 8.0	10
	5	±4.0	± 2.0	
8-50 12-50	Max 10	±2.0	± 1.2	200
	Min 5	±4.0	± 2.5	
25	±3.0	± 1.2		
Max 50	±1.6	± 0.6		
8-200 12-200	Min 20	±3.0	±3.0	300
	100	±1.5	±1.5	
8-300 12-300	Max 200	±1.0	±1.0	300
	Min 50	±1.6	± 1.5	
150	±1.2	± 1.0		
Max 300	±1.0	± 0.6		

* Non-filtered tip suggestion

The accuracy and precision are obtained, using a gravimetric method, performing at least 10 measurements of distilled water at a temperature of 20±1°C, according to EN ISO 8655 standard.

The pipette design enables the user to perform the recalibration process according to the rules presented in section 9.

2. Setting the Volume

The pipettes are equipped with a digital counter which shows the pipetting volume. The volume setting is done by turning the pipetting pushbutton knob (Fig. 1A2) or the black adjustment knob (Fig. 1B) in the right direction.

The pipette design allows the user to lock the volume setting by pushing the locking ring (Fig.1S) upwards. The volume adjustment can be performed when the locking ring is set in the lower position (Fig.5A). When the desired volume is selected, the locking ring should be set in the upper position (Fig.5B). The position of the ring is indicated by the symbols located on the handle.

The counter displays three figures to be read from top to bottom. Additional to the figures on the lower wheel are printed graduations to enable a volume setting in the range increment of each pipette model.

Model	Counter readings	Set volume	Basic degree
2	1	1.25 µl	0.002 µl
	2		
	5		
10 20	0	7.5 µl	0.02 µl
	7		
	5		
100 200	1	125 µl	0.2 µl
	2		
	5		
1000 5000	0	0.75 ml	2 µl
	7		
	5		
10000	0	7.5 ml	20 µL
	7		
	5		
8-10 12-10	0	3.5 µl	0.02 µl
	3		
	5		
8-50 12-50	0	6.5 µl	0.10 µl
	6		
	5		
8-200 12-200	0	85 µl	0.20 µl
	8		
	5		
8-300 12-300	2	250 µl	1.0 µl
	5		
	0		

To attain the maximum accuracy, set volume must be approached from a higher value by diminishing counter readings.

- If the desired volume is lower than set volume shown by the counter, the operator should turn the pipetting pushbutton (Fig. 1A2) or the black adjustment knob (Fig. 1B) to the direction diminishing counter readings to the required volume. Before achieving the required volume slowly rotate the knob and observe carefully diminishing reading to avoid accidentally passing the setting value.

- If the desired volume is higher than set volume shown by the counter, the operator should turn the pipetting push-button (Fig. 1A2) or the black adjustment knob (Fig. 1B) increasing the value until the lower figure wheel comes 1/3 of a turn beyond the required setting and then slowly backward until the setting reaches the desired volume. Make sure not to pass the setting value.

If the knob is accidentally turned too far, the process must be repeated. The desired volume must always be set from the higher value in the order of decreasing value.

3. Aspirating and Dispensing

Single channel Pipettors

Place a pipette tip on the shaft of the pipettor. See section 7 for the appropriate pipette tip. Press the pipette tip on firmly using a slight twisting motion. This will ensure an airtight seal.

8-channel and 12-channel Pipettors

To put pipet tips on the shafts: hold the pipettor vertically and press it against the tips in the rack box until the shafts retract approximately 1.5 mm into the manifold. The suspension system of the shafts ensures even and tight sealing of the pipet tips. The rocking movement does not have to be performed to seal the pipet tips tightly.

Important: Never aspirate liquids into the pipette without a pipette tip attached.

Aspiration

Press the pushbutton to the first positive stop (Fig. 2A). Holding the pipette vertically, immerse the tip into the sample liquid. The depth to which the tip is immersed in the sample liquid depends on the model.

Model	Immersion depth (mm)
2, 10	≤ 1
20, 100	2 ÷ 3
200, 1000	2 ÷ 3
5000	3 ÷ 6
10000	5 ÷ 7

Release the pushbutton slowly and smoothly to aspirate the sample (Fig. 2B). Wait one second and then withdraw the tip from the liquid. When the pipette tip is immersed not as deeply as the recommended depth or when the pipetting pushbutton is rapidly released air may enter the disposable tip.

Avoid touching the orifice of the tip.

Dispensing

- Place the end of the tip against the inside wall of the vessel at an angle of 10 to 40 degrees.
- Press the pushbutton smoothly to the first stop (Fig. 2C). Wait one second.
- Press the pushbutton to the second stop to expel any remaining liquid (Fig. 2D).
- Keeping the pushbutton depressed to the very end, remove the pipette by drawing the tip against the inside surface of the receiving vessel.
- Release the pushbutton to its starting position (Fig. 2E).
- Eject the tip by pressing the tip ejector button (Fig. 2F). Remember to change the tip whenever a different kind of liquid is to be sampled.

Filters

A replaceable filter installed in a seat in the bottom part of the shaft is used in 5000 µl and 10000 µl pipettes (Fig. 3L). The filter prevents the aspirated liquid from entering into the shaft and thus from polluting the inside of the shaft and the piston. Using the filter is especially important when aspirating and dispensing large volumes of liquid. If the filter becomes wet during liquid aspiration it should be replaced with a new one.

4. Tip Ejector

The construction of the ejector enables the user to set up the length. The adjustable tip ejector accommodates every variety of tips available on the market. When using narrow tubes, it may be necessary to remove the tip ejector. It is simply removed by pulling down.

- **2-1000 µl pipettes**

Tip ejector disassembly (Fig. 6A)

To remove the tip ejector press the tip ejector button and turn the ejector cap clockwise to the very end and next slide from the arbor.

Tip ejector assembly (Fig. 6B)

When the tip ejector button is pressed pull the tip ejector on the shaped end of the arbor to the very end and next turn counterclockwise until it is latched.

Adjusting of the Tip Ejector Length (Fig. 6C)

Adjust the tip ejector length by turning the ejector cap after removing the ejector pushbutton. To lengthen the tip ejector turn the ejector cap clockwise. To shorten the tip ejector length turn the ejector cap counterclockwise.

The 2 µl - 10 µl pipettes may require the use of an ejector cap "M" to efficiently eject certain brands of pipette tips. Simply place the cap, supplied with the pipette, on the bottom of the pipette shaft and slide the cap upwards until it surrounds the bottom of the tip ejector (Fig. 7A).

- **5000 and 10000 µl pipettes (Fig. 6D)**

Tip ejector disassembly

Remove the tip ejector button. Use the screwdriver to turn the metal arbor left to unscrew the ejector from the arbor. Release the ejector.

Tip ejector assembly

Remove the tip ejector button. Use the screwdriver to turn the metal arbor right to screw the ejector in and adjust its length.

Tip ejector adjustment

Remove the ejector pushbutton. Use the screwdriver to increase or decrease the ejector length.

After ejector assembly or adjustment, put the ejector button back on its place.

If above described method of ejector adjustment is not sufficient or the diameter of the ejector opening is too large to eject the tip it is necessary to put the ejector cap "M" onto the ejector (Fig. 7B).

5. Pre-rising

When pipetting liquids of higher viscosity or lower surface tension than water (e.g. sera or organic solvents), a film of liquid is formed on the inside wall of the pipette tip. This film can create an error. Since the film remains relatively constant in successive pipetting operations with the same tip, this error can be avoided by forming the film before transferring the first sample. This is done by aspirating a sample and dispensing it back into the same vessel. Since the film is already formed, all of the following samples will have better accuracy and repeatability.

This pre-rinsing operation should be repeated when the volume to be aspirated is changed or when a new tip is used.

6. Dense and Viscous Liquids

The pipette specifications of accuracy and precision are based on pipetting distilled water. The handling of liquids with physical qualities of density, viscosity and surface tension differing extremely from water may need a gravimetrically checked compensation of the volume setting. Normally the degree of error resulting from heavy or viscous liquids is negligible if the pipetting is done slowly and carefully. It is most important to give the liquids some time to follow the change of pressure by holding the pipette tip in its position for at least 2 sec. after the aspiration and the blow out stroke.

If in extreme cases this method of operation does not result in accurate values, a compensation could be achieved as follows:

Weigh the liquid pipetted when the pipette is set to the nominal value. Then calculate the set-off from the nominal value:

$$\text{Corr. val.} = 2 \times \text{nom. val.} - \frac{m}{\gamma}$$

m – weight of the sample

γ – density of liquid

Check this operation once again and correct if necessary. Note the corrected value for further pipetting the same kind of liquid.

7. Pipette Tips

ClearLine tips are made from high performance polypropylene and their quality guarantees the precision and accuracy associated with the pipette. Strict control is maintained throughout the manufacturing process to ensure the highest quality. The use of inferior quality tips will seriously degrade the performance of the pipette.

Tips 10

These tips are used for volumes between 0.1 µl and 10 µl. They are used with the 2, 10, 8-10, 12-10 models, which are equipped with the red pushbutton.

Tips 200

These tips are used for volumes between 2 µl and 200 µl. They are used with the 20, 100, 200, 8-50, 12-50, 8-200 and 12-200 models, which are equipped with the yellow pushbutton.

Tips 300

These tips are used for volumes between 50 µl and 250 µl. They are used with the 8-300 and 12-300 models, which are equipped with the green pushbutton.

Tips 1000

These tips are used for volumes between 100 µl and 1000 µl. They are used with the 1000 model, which is equipped with the blue pushbutton.

Tips 5000

These tips are used for volumes between 500 µl and 5000 µl. They are used with the 5000 models, which are equipped with the white pushbutton.

Tips 10000

These tips are used for volumes between 1000 µl and 10000 µl. They are used with the 10000 model, which are equipped with the white pushbutton.

8. Recommendations

Observing the following recommendations will ensure maximum possible accuracy and precision of liquid sampling.

- Make sure to operate the pipette slowly and smoothly.
- The depth of immersion in the sample liquid should be the minimum necessary and should remain constant during aspiration.
- The pipette should be held in a vertical position.
- Change the tip when volume setting is changed or when a different liquid is to be aspirated.
- Change the tip if a droplet remains on the end of the tip from the previous pipetting operation.
- Each new tip should be pre-rinsed with the liquid to be pipetted.
- Liquid should never enter the pipette shaft. To prevent this:
 - Press and release the pushbutton slowly and smoothly.
 - Never turn the pipette upside down.
 - Never lay the pipette on its side when there is liquid in the tip.
- Never force the volume setting beyond its recommended limits.
- When pipetting liquids with temperatures different from the ambient temperature, it is recommended to pre-rinse the tip several times before use.
- Do not pipette liquids with temperatures above 70°C.

- When pipetting acids or corrosive solutions which emit vapours, it is recommended to disassemble the shaft and to rinse the piston and seal with distilled water after finishing the pipetting operation.

9. Recalibration

ClearLine pipettes are calibrated by gravimetric method, using tips and distilled water, at the temperature 20±1°C, according to EN ISO 8655 standard.

If during pipette operation you find that the accuracy error (the difference between the real aspirated volume and the preset volume) exceeds the permissible value given in the table in section 1, the pipette recalibration procedure should be carried out.

Before starting the recalibration it is necessary to check whether the following requirements have been fulfilled during error determination:

- the ambient temperature, and the temperature of the pipette, tips and water was identical,
- the density of the liquid used is close to that of distilled water,
- the balance with appropriate sensitivity has been used,

Volume checked [µl]	Balance sensitivity [mg]
0.1 - 10	≤ 0.001
10 - 100	≤ 0.01
> 100	≤ 0.1

- mg/µl conversion factor has been taken into account,
- the requirements given in sections 3 and 8 have been fulfilled.

If the above conditions are satisfied and the accuracy error for selected volume given in section 1 exceeds the permissible value, the pipette recalibration procedure should be carried out.

The recalibration can be performed within one full turn of the key to the right or to the left only.

Recalibration conditions:

- Ambient temperature and the temperature of the pipette, tips and liquid should be within the range 20- 25°C and stabilised during weighing within ±0.5°C.
- Measurements should be conducted using distilled water.
- Balance sensitivity should be suitable for the volume to be controlled.

Recalibration procedure:

- Set the dose volume depending on the pipette volume according to the following table:

Model	Range of the pipette volumes [µl]	Preset volume [µl]	Permissible volumes [µl]	Volume change ΔV for full turn of the calibration key [µl] (24 increments)
2	0.1 - 2	0.2	0.176 - 0.224	0.06
10	0.5 - 10	0.5	0.48 - 0.52	0.33
20	2 - 20	2	1.94 - 2.06	0.63
100	10 - 100	10	9.84 - 10.16	2.50
200	20 - 200	20	19.76 - 20.24	6.30
1000	100 - 1000	100	98.4 - 101.6	25.00
5000	500 - 5000	500	494 - 506	125.00
10 000	1000 - 10000	1000	975 - 1025	250.00
8-10 12-10	0.5 - 10	0.5	0.45 - 0.55	0.33
8-50 12-50	5 - 50	5	4.8 - 5.2	1.67
8-200 12-200	20 - 200	20	19.4 - 20.6	6.30
8-300 12-300	50 - 300	50	49.2 - 50.8	10.00

Single channel pipette:

- Perform 5 aspirations, weigh each one and calculate the average value of the aspirations.

Multi-channel pipette:

- Perform three aspiration series (each series should include the aspirations from all channels), weigh each time and calculate the average value of the aspirations.

Calculate average aspirated volume in [µl] multiplying the average aspiration amount [mg] by the distilled water density coefficient [µl/mg], which depends on temperature and pressure according to the following table:

Temperature [°C]	Pressure [kPa]		
	95.0	101.3	105.0
20	1.0028	1.0029	1.0029
21	1.0030	1.0031	1.0031
22	1.0032	1.0033	1.0033
23	1.0034	1.0035	1.0036
24	1.0037	1.0038	1.0038
25	1.0039	1.0040	1.0040

If the average aspirated volume exceeds the permissible value, the following should be done:

- Remove the pipetting pushbutton (Fig. 4A),

Warning: The pipetting pushbutton consists of 2 parts: the knob (Fig. 1A2) and the pushbutton (Fig. 1A1). After removal of the pushbutton, both parts are separated.

- Holding the volume setting knob to protect it against rotation, insert the calibration key into the cuts of the calibration screw (Fig. 4B).
- Turn the key clockwise to reduce the aspirated volume, or counter-clockwise to increase the volume (Fig. 4C). One full turn of the calibration key changes the pipette aspiration volume by the amount given in the table.
- Take out the key and fix the pipetting pushbutton (Fig. 4D). The pushbutton should be fixed by placing first the knob on the arbor (Fig. 1A2) and then the pushbutton (Fig. 1A1).
- Determine the average aspirated volume. The average volume should be within the permissible range given in the table. If the volume exceeds the values stated, the recalibration procedure should be repeated.

In case of pipetting the liquids with physical properties considerably different from those of water, follow the rules given in section 6.

10. Troubleshooting

If you notice an improper pipette operation identify the cause and eliminate the fault. Doing this, follow the instruction in the sequence provided. Replacement of elements into new ones may be required only exceptionally, and should not occur under normal pipette use.

Problem	Cause	Solution
Droplets of liquid remain in the pipette tip.	The tip is emptied too fast.	Decrease the speed of pressing the pipette pushbutton.
	The tip wettability has increased due to extensive use.	Replace the tip with a new one.

Problem	Cause	Solution
Droplets of air appear in the liquid aspirated into the tip.	The pipette tip immersion is too shallow.	Immerse the tip deeper according to the instructions.
	The pipette tip is incorrectly pressed onto the pipette shaft.	Press the pipette firmly.
	The tip is damaged or worn out due to extensive use.	Replace the tip with a new one.
The pipette incorrectly aspirates the liquid or liquid drops out from the tip.	The pipette tip is incorrectly pressed onto the pipette shaft.	Press the pipette tip firmly.
	The shaft nut is loose (Fig. 3F) in the models 2-1000.	Tighten the shaft nut.
	The sealing surface of the shaft is cracked or scored.	Remove the tip ejector. Unscrew the shaft nut, inspect the shaft and the piston assembly. Replace the damaged parts (see section 13). When reassembling the pipette, the nut should be hand tightened. In the models 10 and 20, the damage of the shaft may also cause a damage of the piston assembly. Replace the damaged parts (see section 13). When reassembling the pipette, the nut should be hand tightened.
	Damage of the piston or seal due to prolonged use with the aggressive liquids.	Disassemble the pipette as described above. Replace the piston, seal and O-ring (see section 13). Rinse the inside of the shaft in distilled water and dry. Lubricate the seal and O-ring with the lubricant. The replacement of the piston requires conducting of calibration procedure. Note: The parts of 2 and 10 pipette should be lubricated evenly with the minimum amount of lubricant.

Problem	Cause	Solution
The pipette incorrectly aspirates the liquid or liquid drops out from the tip.	The pipette is reassembled improperly.	Disassemble the pipette and reassemble it, observing the proper sequence of steps (Fig. 3).
	No lubricant on the sealing elements.	Remove the tip ejector. Unscrew the shaft nut, remove the shaft, piston assembly, seal and O-ring. Rinse the removed parts in distilled water and dry thoroughly. Lightly lubricate the inside surfaces of the seal and the O-ring with the lubricant. Reassemble the pipette in the reverse order.
	Contamination of the inside of the pipette caused by extensive aspiration of chemically aggressive liquids or because liquid got inside the pipette.	

Note: All parts may be autoclaved at a temperature of 121°C for 20 minutes at pressure 1 bar.

If the pipette malfunction persists after carrying out the above steps, send the pipette to your Dominique Dutscher service representative.

Before returning the pipette, make sure that it is free from any chemical, radioactive or microbiological contamination that might pose any danger during transportation and repairing. Clean the pipette as thoroughly as possible.

11. Cleaning and Sterilization

Cleaning

External surfaces of the pipetting pushbutton, the ejector pushbutton, the handgrip, the shaft nut and the adjustment knob may be cleaned using a cloth dampened in isopropyl alcohol. The remaining parts removed from the pipette during pipette disassembly may be washed with distilled water or isopropyl alcohol.

Note: Before using cleaning agents other than those recommended by the manufacturer, check the compatibility charts and consider chemical resistance of the following plastics: PP, PC, POM, PA, PPS, PVDF used to produce the pipettor parts.

Sterilization

The pipette can be sterilized in the autoclave at 121°C for 20 minutes. After sterilization, the pipette should be dried and cooled to room temperature.

It is recommended:

- to sterilize the pipettes in autoclave with an initial vacuum and drying cycle,
- prior to sterilization unscrew the shaft nut slightly in the 2-1000 µl pipettes, and unscrew the shaft slightly in the 5000-10000 µl. After autoclaving these parts should be screwed tight again.
- to set the locking ring in lower (unlocked) position prior to sterilization

The shaft of the 5000 and 10000 models should be autoclaved without the filter.

The precision of the results should not alter if the pipetting process and autoclaving are carried out as described in this manual. Because a slight change in the accuracy of the dosage may occur, it is recommended to:

- check the calibration of the pipette after the initial first, third and fifth autoclaving cycles and then after every 10 autoclaving cycles.

Ultra Violet (UV) Sterilization

The pipettors are UV resistant. However, the recommended distance from the radiation source to the exposed element should be not less than 50 cm. Prolonged and very intense UV exposure can cause discoloration of pipettor parts without effecting their performance.

12. Pipette Kit

The pipettes are delivered in the kits including:

- Pipette
- Instruction manual
- Calibration key
- Lubricant (single channel pipettes)
- Filters (for models 5000 and 10000)
- Ejector cap (for models 2, 10, 5000 and 10000)

13. Spare Parts and Accessories

All the spare parts and accessories indicated in Fig. 1, 3, 4:

A: Pipetting pushbutton **A1:** Pushbutton **A2:** Knob

B: Adjustment knob

C: Shaft

D: Ejector

F: Shaft nut

G: Piston assembly

I: O-ring

J: Seal

K: Calibration key

L: Filter

M: Ejector cap

N: Ejector pushbutton

S: Locking ring

Spare parts and accessories can be ordered from your Dominique Dutscher representative (type of pipette and name of the part for this pipette should be specified).

Warning: The replacement of the piston requires conducting of calibration procedure according to section 9.

Table des matières

1. Généralités
2. Reglage du volume
3. Aspiration et distribution du liquide
4. L'éjecteur
5. Pre-rincage du cône
6. Solutions denses et visqueuses
7. Cônes de prelevement
8. Recommandations
9. Recalibrage
10. Résolution des problèmes
11. Nettoyage et stérilisation
12. Contenu de l'emballage
13. Pièces détachées

1. Généralités

La pipette **ClearLine** mono-canal est un instrument volumétrique à piston destiné à mesurer et à transférer, avec exactitude et répétabilité, des volumes allant de 0,1 µl à 10000 µl.

Modèle	Cat. No.	Gamme de volume [µl]
2	257029	0,1 - 2
10	257030	0,5 - 10
20	257031	2 - 20
100	257032	10 - 100
200	257033	20 - 200
1000	257034	100 - 1000
5000	257035	500 - 5000
10000	257036	1000 - 10 000

Les pipettes **ClearLine** multi-canaux réglables destinées à remplir les microplaques de laboratoire permettent de distribuer simultanément 8 à 12 doses d'un liquide de volume défini.

Modèle	Cat. No.	Gamme de volume [µl]
8-10 12-10	257037 257041	0,5 - 10
8-50 12-50	257038 257042	5 - 50
8-200 12-200	257039 257043	20 - 200
8-300 12-300	257040 257044	50 - 300

Le volume est inscrit sur le bouton poussoir (Fig. 1A1).

Les erreurs de précision (A) et de répétabilité (P) des mesures du liquide dépendent de la qualité des cônes utilisés. Les erreurs indiquées dans le tableau ont été obtenues avec des cônes ClearLine.

Modèle	Volume [µl]	Exactitude [%]	Fidélité [%]	Cônes* [µl]
2	0,2	± 12,0	± 2,8	10
	1,0	± 2,7	± 0,6	
	Max 2,0	± 1,5	± 0,4	
10	Min 0,5	± 4,0	± 2,8	
	5,0	± 1,0	± 0,6	
	Max 10,0	± 0,5	± 0,4	
20	Min 2	± 3,0	± 1,5	200
	10	± 1,0	± 0,5	
	Max 20	± 0,8	± 0,3	
100	Min 10	± 1,6	± 0,80	
	50	± 0,8	± 0,24	
	Max 100	± 0,8	± 0,20	
200	Min 20	± 1,2	± 0,60	
	100	± 0,8	± 0,25	
	Max 200	± 0,6	± 0,20	
1000	Min 100	± 1,6	± 0,40	1000
	500	± 0,7	± 0,20	
	Max 1000	± 0,6	± 0,15	
5000	Min 500	± 1,2	± 0,50	5000
	2500	± 0,6	± 0,20	
	Max 5000	± 0,5	± 0,15	
10000	Min 1000	± 2,5	± 0,6	10000
	5000	± 0,8	± 0,3	
	Max 10000	± 0,5	± 0,2	

* Pointes sans filtre

8-10 12-10	Min Max	0,5 10	±10,0 ±4,0 ±2,0	± 8,0 ± 2,0 ± 1,2	10
8-50 12-50	Min Max	5 25 50	±4,0 ±3,0 ±1,6	± 2,5 ± 1,2 ± 0,6	200
8-200 12-200	Min Max	20 100 200	±3,0 ±1,5 ±1,0	±3,0 ±1,5 ±1,0	
8-300 12-300	Min Max	50 150 300	±1,6 ±1,2 ±1,0	± 1,5 ± 1,0 ± 0,6	300

* Pointes sans filtre

Les spécifications sont obtenues en mode direct par la méthode gravimétrique, avec des températures stabilisées entre 19°C et 21°C, autant pour l'eau distillée que pour l'air ambiant et les cônes. Nombre de contrôle - minimum 10. Si vous souhaitez contrôler les performances de vos pipettes en appliquant ces procédures, veuillez vous procurer le document EN ISO 8655.

La construction de la pipette permet à l'utilisateur le recalibrage selon les principes présentés dans le chapitre 9.

2. Réglage du volume

Les pipettes sont équipées d'un volumètre numérique. Le réglage du volume s'effectue à l'aide de la vis du bouton poussoir (Fig. 1A2) ou en tournant la vis de réglage de volume (Fig. 1B).

La construction de la pipette permet de bloquer le volume réglé. Dans ce but, il faut déplacer l'anneau de frein (Fig.1S) vers la position supérieure. Le changement du volume est possible lorsque l'anneau de frein se trouve dans la position inférieure (Fig. 5A) Après avoir réglé le volume souhaité, il faut déplacer l'anneau de frein vers la position supérieure (Fig. 5B). La position de l'anneau est indiquée par les symboles sur la poignée.

Le volume est indiqué par le volumètre, il se compose de trois chiffres qui doivent être lus du haut en bas. En outre, sur le barillet du compteur le plus bas est indiqué l'échelle qui permet de régler le volume dans la gamme élémentaire.

Modèle	Indication du compteur	Volume	Échelon			
2	<table border="1"><tr><td>1</td></tr><tr><td>2</td></tr><tr><td>5</td></tr></table>	1	2	5	1,25 µl	0,002 µl
1						
2						
5						
10 20	<table border="1"><tr><td>0</td></tr><tr><td>7</td></tr><tr><td>5</td></tr></table>	0	7	5	7,5 µl	0,02 µl
0						
7						
5						
100 200	<table border="1"><tr><td>1</td></tr><tr><td>2</td></tr><tr><td>5</td></tr></table>	1	2	5	125 µl	0,2 µl
1						
2						
5						
1000	<table border="1"><tr><td>0</td></tr><tr><td>7</td></tr><tr><td>5</td></tr></table>	0	7	5	0,75 ml	2 µl
0						
7						
5						
1000 5000	<table border="1"><tr><td>0</td></tr><tr><td>7</td></tr><tr><td>5</td></tr></table>	0	7	5	0,75 ml	2 µl
0						
7						
5						
10 000	<table border="1"><tr><td>0</td></tr><tr><td>7</td></tr><tr><td>5</td></tr></table>	0	7	5	7,5 ml	20 µL
0						
7						
5						
8-10 12-10	<table border="1"><tr><td>0</td></tr><tr><td>3</td></tr><tr><td>5</td></tr></table>	0	3	5	3,5 µl	0,02 µl
0						
3						
5						
8-50 12-50	<table border="1"><tr><td>0</td></tr><tr><td>6</td></tr><tr><td>5</td></tr></table>	0	6	5	6,5 µl	0,10 µl
0						
6						
5						
8-200 12-200	<table border="1"><tr><td>0</td></tr><tr><td>8</td></tr><tr><td>5</td></tr></table>	0	8	5	85 µl	0,20 µl
0						
8						
5						
8-300 12-300	<table border="1"><tr><td>2</td></tr><tr><td>5</td></tr><tr><td>0</td></tr></table>	2	5	0	250 µl	1,0 µl
2						
5						
0						

Pour obtenir une précision maximale, le volume demandé doit être réglé à partir d'un volume plus élevé, par la réduction des valeurs sur le compteur.

- Si le volume demandé est inférieur à la valeur réglée sur le compteur, il faut tourner la vis du bouton poussoir (Fig.1A2) ou la vis de réglage du volume (Fig.1B) pour réduire la valeur sur le compteur jusqu'à la valeur demandée. Avant d'arriver à la valeur demandée, il faut réduire la vitesse de rotation de la vis et faire attention à ne pas dépasser la valeur à régler.

- Si le volume demandé est supérieur à la valeur réglée sur le compteur, il faut tourner la vis du bouton poussoir ou la vis de réglage du volume pour augmenter la valeur sur le compteur à la valeur qui dépassera la valeur demandée d'environ 1/3 de tour du barillet le plus bas. Ensuite, en tournant lentement la vis, il faut réduire la valeur réglée à la valeur demandée en faisant attention à ne pas la dépasser.

Si la valeur demandée est dépassée, le processus de réglage doit être répété. Le volume demandé doit être toujours réglé à partir d'une valeur supérieure par la réduction des valeurs indiquées sur le compteur.

3. Aspiration et distribution du liquide

Pipettes mono-canal

Monter le cône approprié sur l'embout porte cône. Le choix du cône adéquat est décrit au chapitre 7. Pour effectuer le raccordement de façon étanche, appuyer fermement le cône sur l'embout en effectuant un mouvement de rotation.

Pipettes 8 et 12 canaux

Mettre les embouts sur le module multicanal. En montant les cônes sur les embouts, il faut appuyer la pipette sur les cônes placés dans la boîte, jusqu'à ce que les embouts s'enfoncent de 1,5mm environ. Une suspension souple des embouts permet de faire un raccordement étanche des cônes sur les embouts sans que les mouvements rotatifs soient nécessaires. Pendant la fixation des cônes, la pipette doit être maintenue dans une position verticale.

Note: Ne jamais manipuler un liquide avec pipette sans l'avoir au préalable équipé d'un cône.

Aspiration

- Presser le bouton poussoir jusqu'à la première butée positive, Fig 2A.
- Tout en maintenant la pipette verticale, plonger l'extrémité du cône dans l'échantillon à prélever.
- La profondeur d'immersion du cône dans le liquide est fonction du modèle de pipette ClearLine utilisé:

Modèle	Profondeur d'immersion (mm)
2, 10	≤ 1
20, 100	2 ÷ 3
200, 1000	2 ÷ 3
5000	3 ÷ 6
10 000	5 ÷ 7

- Relâcher lentement et régulièrement le bouton poussoir pour aspirer le liquide dans le cône, Fig. 2B.
- Attendre une seconde et retirer le cône du liquide.
- Essuyer éventuellement les gouttes de liquide qui pourraient adhérer sur les parois extérieures du cône avec un papier non tissé (par exemple, mouchoir de cellulose). Après l'immersion du cône sur une profondeur inférieure à celle qui est recommandée ou lors d'une libération rapide du bouton poussoir vers le cône, une certaine quantité d'air pourrait être absorbée.

Prendre soin de ne pas toucher l'orifice du cône.

Distribution

- Placer l'extrémité du cône de façon à former un angle de 10 à 40 degrés contre la paroi interne du tube récepteur.
- Presser doucement le bouton poussoir jusqu'à la première butée positive, Fig. 2C.
- Attendre une seconde. Presser complètement le bouton poussoir afin d'expulser la dernière fraction de liquide, Fig. 2D.
- Tout en maintenant le bouton poussoir complètement pressé, retirez la Pipette ClearLine en glissant le cône le long de la paroi du tube récepteur.
- Relâcher complètement le bouton poussoir, Fig. 2E.
- Ejecter le cône souillé en pressant le bouton de commande de l'éjecteur de cône, Fig. 2F.
- Il est nécessaire d'utiliser un nouveau cône si un liquide différent doit être pipeté ou si le volume à prélever est différent du volume précédent.

Filtres

Les pipettes de 5000 µl et 10 000 µl sont équipées d'un filtre échangeable qui est monté dans un siège dans la partie inférieure du corps, Fig. 3L.

Le filtre protège la pipette contre la pénétration du liquide prélevé à l'intérieur du corps et par conséquent, contre les impuretés qui pourraient pénétrer à l'intérieur du corps et du plongeur. L'utilisation du filtre est important pour le prélèvement des volumes importants de liquide. Si le filtre se mouille pendant le prélèvement il faut le remplacer par un nouveau.

4. L'éjecteur

L'éjecteur est facilement démontable ce qui permet d'adapter les pipettes aux tubes de petit diamètre. La possibilité de changer sa longueur permet d'ajuster les pipettes à la gamme d'embouts.

- **Pipettes de 2-1000 µl**

Démontage de l'éjecteur (Fig. 6A)

Pour enlever l'éjecteur, il faut presser sur le bouton de commande de l'éjecteur et tourner au maximum la partie haute de l'éjecteur dans le sens des aiguilles d'une montre. Puis, l'ôter du mandrin.

Montage de l'éjecteur (Fig. 6B)

Tout en maintenant le bouton de commande de l'éjecteur enfoncé, emboîter l'éjecteur sur le bout profilé du mandrin jusqu'à son maximum, puis le tourner dans le sens contraire des aiguilles d'une montre jusqu'à sa position initiale.

Réglage de la longueur du cône d'éjection (Fig. 5C)

Après avoir préalablement retiré le bouton de commande de l'éjecteur, le réglage de la longueur de l'éjecteur s'effectue en tournant la partie haute de l'éjecteur. Pour allonger l'éjecteur, il faut tourner la partie haute de l'éjecteur dans le sens des aiguilles d'une montre. Pour raccourcir l'éjecteur, il faut tourner la partie haute de l'éjecteur dans le sens contraire des aiguilles d'une montre.

Les pipettes de 2 µl à 10 µl peuvent nécessiter l'utilisation d'un manchon sur l'éjecteur (M) pour pouvoir aisément éjecter les cônes accessibles sur le marché et venant de différents fournisseurs. Un manchon, disponible en kit avec la pipette, doit être positionné sur l'extrémité de l'éjecteur, du côté de la pointe de l'embase, de manière à ce qu'il entoure l'éjecteur (Fig. 7A).

- **Pipettes de 5000 et 10000 µl (Fig. 6D)**

Démontage de l'éjecteur

Enlevez le bouton éjecteur. Tournez, à l'aide d'un tournevis, la tige en métal vers la gauche pour déverrouiller. Retirez l'éjecteur.

Montage de l'éjecteur

Enlevez le bouton éjecteur. Tournez, à l'aide d'un tournevis, la tige en métal vers la droite, d'environ 5 mm, et réglez sa position.

Réglage de la longueur de l'éjecteur

Enlevez le bouton éjecteur. Tournez, à l'aide d'un tournevis, la tige de l'éjecteur, dans le sens inverse des aiguilles d'une montre, pour la rallonger. Tournez, à l'aide d'un tournevis, la tige de l'éjecteur, dans le sens des aiguilles d'une montre, pour la raccourcir. Les limites de ce réglage sont de 5 mm.

Après avoir réglé ou monté l'éjecteur, mettez de nouveau le bouton éjecteur.

Si la méthode d'ajustage de l'éjecteur décrite ci-dessus n'est pas suffisante ou le diamètre d'ouverture de l'éjecteur est trop grand, il est indispensable d'insérer la tétine (M) sur l'éjecteur pour enlever les cônes (Fig. 7B).

5. Pre-rincage du cône

Lors du pipetage des solutions dont la viscosité et la densité sont différentes de celles de l'eau, telles que les solvants organiques, une certaine rétention de liquide peut s'observer sur la paroi interne du cône. Ce film peut créer une erreur. Cependant, une fois formé, il reste relativement constant d'un pipetage à l'autre, avec un même cône. L'erreur peut donc être évitée en formant le film dès la première manipulation d'échantillon. Pour ce faire, l'échantillon doit être aspiré et redistribué dans le même récipient. Une fois le film en place, les pipetages suivants auront une meilleure exactitude et répétabilité.

Cette opération doit être à nouveau effectuée après chaque modification de volume ou changement de cône.

6. Solutions denses et visqueuses

Pour des solutions modérément denses ou visqueuses, il est possible d'effectuer une compensation en augmentant la valeur du volumètre par rapport à la valeur désirée.

Pour des solutions moins denses que l'eau, il est possible d'effectuer une compensation en diminuant la valeur du volumètre par rapport à la valeur désirée.

Exemple: Transfert de 10 µl de sérum avec une pipette ClearLine modèle 20.

Régler le volumètre de la pipette ClearLine sur 10 µl. Aspirer le volume de liquide et le mesurer gravimétriquement. Si l'on détermine que le volume délivré est de 9,5 µl par exemple, l'erreur est de 0,5 µl. Augmenter la valeur du

volumètre de 0,5 µl pour l'amener à 10,5 µl et répéter la mesure. Si le volume mesuré n'est pas encore correct, ajuster le volumètre jusqu'à obtenir le volume exact désiré.

Lors de la distribution de liquides denses ou visqueux, avant d'expulser la dernière fraction de liquide, attendre une seconde supplémentaire à la première butée positive.

7. Cônes de prélèvement

Les embouts ClearLine sont fabriqués en polypropylène de la plus haute qualité au cours d'un processus de production contrôlé, ce qui permet d'obtenir le produit final de première qualité. Cette qualité garantit la compatibilité avec les pipettes ClearLine et assure le prélèvement précis et reproductible du liquide. Au cours de leur fabrication, ces cônes sont soumis à différents types de contrôle qui nous permettent d'assurer leur qualité. Les performances de la pipette ClearLine ne sont garanties que si elle est utilisée avec des pointes ClearLine. L'utilisation d'autres cônes risque d'entraîner une dégradation notable des performances.

Micro-cônes 10

Ces cônes sont recommandés pour des volumes compris entre 0,1 µl et 10 µl. Les cônes utilisés pour les pipettes des modèles 2 et 10 sont équipés d'un bouton poussoir rouge.

Cônes 200

Ces cônes sont recommandés pour des volumes compris entre 2 µl et 200 µl. Les cônes utilisés pour les pipettes des modèles 20, 50, 100 et 200 sont équipés d'un bouton poussoir jaune.

Cônes 300

Ces cônes sont recommandés pour des volumes compris entre 50 µl et 250 µl. Les cônes utilisés pour les pipettes du modèle 250 sont équipés d'un bouton poussoir vert.

Cônes 1000

Ces cônes sont recommandés pour des volumes compris entre 100 µl et 1000 µl. Les cônes utilisés pour les pipettes du modèle 1000 sont équipés d'un bouton poussoir bleu.

Cônes 5000

Ces cônes sont recommandés pour des volumes compris entre 500 µl et 5000 µl. Les cônes utilisés pour les pipettes du modèle 5000 sont équipés d'un bouton poussoir blanc.

Cônes 10000

Ces cônes sont recommandés pour des volumes compris entre 1000 µl et 10000 µl. Les cônes utilisés pour les pipettes du modèle 10000 sont équipés d'un bouton poussoir blanc.

8. Recommandations

Les recommandations ci-dessous vous permettront d'obtenir de la pipette ClearLine les meilleures performances d'exactitude et de reproductibilité.

- Pendant l'utilisation de la pipette ClearLine le réglage du volume doit être bloqué par le l'anneau de frein.
- La pipette ClearLine doit être manipulée doucement et régulièrement.
- La profondeur d'immersion du cône dans l'échantillon doit être la plus petite possible. Éviter de faire varier de façon importante au cours de l'aspiration. Maintenir la pipette ClearLine en position verticale.
- Il est nécessaire de changer de cône lorsque le liquide à pipetter ou son volume sont modifiés.
- Il est nécessaire de changer de cône lors qu'une goutte de liquide reste piégée à l'extrémité du cône.
- Tout nouveau cône doit être pré-rincé avec le liquide à pipetter.
- Le liquide ne doit jamais entrer dans l'embout porte cône. Pour cela:
 - Presser et relâcher le bouton poussoir avec douceur.
 - Ne jamais mettre la pipette la poignée en bas.
 - Ne jamais poser la pipette à plat lorsque le cône contient du liquide.
- Ne jamais forcer le volumètre au-delà de ses limites de fonctionnement.
- Lors du pipettage de solutions dont la température est différente de la température ambiante, rincer le cône plusieurs fois avant chaque prélèvement.
- Ne pas manipuler de solutions dont la température est supérieure à 70°C.
- Après l'emploi d'acides ou de solutions corrosives émettant des vapeurs, il est conseillé de démonter l'embout porte cône et de le rincer ainsi que le piston et le joint avec de l'eau distillée.

9. Recalibrage

Les pipettes ClearLine sont calibrées à l'aide de la méthode gravimétrique, avec l'utilisation des cônes ClearLine et de l'eau distillée, à une température de $20 \pm 1^\circ\text{C}$, selon les norm EN ISO 8655.

Dans le cas où vous constatez, pendant l'utilisation de la pipette, que l'erreur de précision (différence entre le volume réel prélevé et le volume fixé) dépasse la valeur admissible, présentée dans le tableau au chapitre 1, il faudrait procéder au recalibrage de la pipette.

Avant de procéder au recalibrage, vérifiez les conditions dans lesquelles vous avez déterminé l'erreur de précision A, et assurez-vous, que:

- la température ambiante et celles de la pipette et de l'eau, sont identiques,
- le liquide utilisé a une densité pareille à la celle de l'eau distillée,
- la balance que vous utilisez a une sensibilité appropriée,

Volume vérifié [µl]	Sensibilité de la 1 balance [mg]
0,1 - 10	$\leq 0,001$
10 - 100	$\leq 0,01$
> 100	$\leq 0,1$

- vous avez pris en considération le facteur de conversion mg/µl,
- vous vous conformez aux exigences décrites dans les chapitres 3 et 8.

Quand les conditions sus-mentionnées sont accomplies et l'erreur de précision, pour le volume choisi, présenté au chapitre 1, dépasse la valeur admissible, il faut procéder au recalibrage de la pipette.

Le recalibrage peut être effectué seulement dans les limites d'un seul tour de clé, dans l'un ou l'autre sens.

Les conditions de recalibrage:

- la température de l'environnement, de la pipette, des cônes et de l'eau doit être de 20 à 25°C stabilisée durant le pesage, dans les limites de $\pm 0,5^\circ\text{C}$,
- pour les mesures, utilisez de l'eau distillée
- le sensibilité de la balance doit être adéquate au volume vérifié,

Fixer le volume de la dose, selon la capacité de la pipette, conformément aux données du tableau ci-dessous:

Modèle	Capacité de la pipette [µl]	Volume fixé [µl]	Valeurs admissibles [µl]	Changement du volume pour un tour complet de la clé de calibrage ΔV [µl] (24 échelons)
2	0,1 - 2	0,2	0,176 - 0,224	0,06
10	0,5 - 10	0,5	0,48 - 0,52	0,33
20	2 - 20	2	1,94 - 2,06	0,63
100	10 - 100	10	9,84 - 10,16	2,50
200	20 - 200	20	19,76 - 20,24	6,30
1000	100 - 1000	100	98,4 - 101,6	25,00
5000	500 - 5000	500	494 - 506	125,00
10000	1000 - 10000	1000	975 - 1025	250,00
8-10 12-10	0,5 - 10	0,5	0,45 - 0,55	0,33
8-50 12-50	5 - 50	5	4,8 - 5,2	1,67
8-200 12-200	20 - 200	20	19,4 - 20,6	6,30
8-300 12-300	50 - 300	50	49,2 - 50,8	10,00

Pipettes mono-canal:

- Effectuez 5 prélèvements, pesez-les chaque fois, et calculez la moyenne de ces prélèvements.

Pipettes 8 et 12 canaux:

- Effectuer 3 séries de prélèvements (chaque série signifie la prise de tous les canaux), les peser chaque fois et calculer leur valeur moyenne.

Calculez le volume moyen prélevé en µl, en multipliant la moyenne des prélèvements [mg] par le coefficient de la densité de l'eau distillée [µl/mg]. Celui-ci dépend de la température et de la pression comme le montre le tableau ci-dessous:

Température [°C]	Pression [kPa]		
	95,0	101,3	105,0
20	1,0028	1,0029	1,0029
21	1,0030	1,0031	1,0031
22	1,0032	1,0033	1,0033
23	1,0034	1,0035	1,0036
24	1,0037	1,0038	1,0038
25	1,0039	1,0040	1,0040

Si cette différence dépasse les valeur admissibles, il faut:

- enlever le bouton poussoir de la pipette (dessin 4A),
Attention: Le bouton poussoir est composé de deux pièces: vis (Fig. 1A2) et bouton (Fig. 1A1). Après le démontage du bouton poussoir, les deux pièces se séparent.
- tenant le tourne-à-gauche de fixation de la capacité, de façon à interdire sa rotation, introduire la clé de calibrage dans les canaux de la vis de calibrage, (dessin 4B),
- tourner la clé dans le sens des aiguilles d'une montre pour diminuer la valeur (volume) prélevé, ou contre le sens des aiguilles d'une montre, pour augmenter le volume prélevé, (Fig. 4C). Un tour complet de la clé change le volume prélevé de la pipette conformément aux valeurs présentées dans le tableau,
- enlever la clé de calibrage et remettre le bouton poussoir (Fig. 4D). Il faut d'abord monter la vis (Fig. 1A2) sur l'embout et ensuite le bouton (Fig. 1A1).
- Fixer le volume moyen prélevé. Le volume moyen doit se tenir dans l'étendue des valeurs admissibles, présentées dans le tableau. Si ce volume dépasse les valeurs mentionnées, le recalibrage doit être répété.

Dans le cas de pipettage des liquides, dont les propriétés physiques sont sensiblement différentes de celles de l'eau, il faut procéder conformément à la teneur du chapitre 6.

10. Résolution des problèmes

Si vous constatez un mauvais fonctionnement de la pipette, trouvez la cause et éliminez la défaillance. Suivez l'ordre proposé par la notice. L'échange des pièces est un ultime recours qui ne devrait pas être nécessaire lors d'une exploitation convenable.

Problème	Cause	Instructions
Présence des gouttes de liquide dans le cône.	Le liquide est trop rapidement éjecté du cône.	Diminuez la vitesse de pression sur le bouton-poussoir.
	Humidification du cône causé par une utilisation prolongée.	Remplacez le cône.

Problème	Cause	Instructions
Apparition de bulles d'air dans le liquide aspiré.	Immersion trop faible du cône.	Immergez le cône plus en profondeur comme précisé dans la notice.
	Cône mal fixé sur l'embout porte-cône.	Fixez mieux le cône.
	Cône endommagé ou usé.	Remplacez le cône.
Pipette aspire incorrectement ou le cône perd du liquide.	Cône mal fixé sur l'embout porte-cône.	Fixez mieux le cône
	Ecrou raccord dévissé (Fig. 3F) dans les pipettes 2-1000	Serrez l'écrou raccord
	Fissure ou rayure de la surface d'étanchéité de l'embout porte-cône.	Sortez l'éjecteur, dévissez l'écrou raccord, vérifiez l'embout porte-cône et le piston assemble. Remplacez les pièces endommagées (voir chapitre 13) et montez la pipette en serrant l'écrou. Dans les pipettes 2, 10 et 20 l'endommagement de l'embout porte-cône peut provoquer l'endommagement du piston assemble. Remplacez les pièces endommagées (voir chapitre 13) et montez la pipette en serrant l'écrou.
	Endommagement du piston assemble ou du joint d'étanchéité causé par un pipetage prolongé des liquides corrosifs.	Démontez la pipette en suivant les inscriptions ci-dessous. Remplacez le piston assemble, le joint d'étanchéité et le joint torique (voir chapitre 13). Nettoyez l'intérieur de l'embout porte-cône avec de l'eau distillée. Lubrifiez le joint d'étanchéité et le joint torique avec la graisse fournie avec chaque pipette. Tout changement du piston assemble demande un calibrage de la pipette. Dans les pipettes 2 et 10 veillez à ce que les éléments à lubrifier soient correctement couverts d'une quantité minimum de graisse.

Problème	Cause	Instructions
Pipette aspire incorrectement ou le cône perd du liquide.	Montage de la pipette incorrect.	Démontez la pipette et montez-la en suivant l'ordre du montage (Fig. 3).
	Absence de la graisse sur les éléments d'étanchéité.	Retirez l'éjecteur, dévissez l'écrou raccord, retirez le piston assemble et le joint torique. Nettoyez les pièces démontées avec de l'eau distillée et séchez. Lubrifiez légèrement les surfaces intérieures du joint d'étanchéité et du joint torique avec la graisse fournie avec chaque pipette. Remontez la pipette.
	Intérieur de la pipette malpropre à cause du pipetage prolongé de liquides corrosifs ou de la pénétration du liquide à l'intérieur de la pipette.	

Attention: Toutes les pièces de la pipette peuvent être stérilisées dans un autoclave. Voir chapitre 11.

Si les opérations mentionnées ci-dessus ne permettent pas de rétablir le fonctionnement de la pipette, renvoyez la au service Dominique Dutscher.

Avant de la renvoyer, assurez-vous que la pipette n'est pas contaminée par des agents chimiques corrosifs, radioactifs ou microbiologiques qui pourraient constituer un risque durant le transport et la remise en état. Dans la mesure du possible, nettoyez la pipette.

11. Nettoyage et stérilisation

Nettoyage

Les parties extérieures du bouton poussoir, du bouton de l'éjecteur, de l'embout et de la bague de calibration peuvent être nettoyées avec un tampon imbibé d'alcool isopropylique. Les autres parties tirées de la pipette lors de son démontage peuvent être nettoyées avec de l'eau distillée ou avec de l'alcool isopropylique.

Note: Avant d'utiliser des produits de nettoyage autres que ceux recommandés par le fabricant, vérifiez les tableaux de compatibilité des matières dont la pipette est constituée: PEI, PP, PC, POM, PA, PPS, PVDF.

Stérilisation

La pipette peut être stérilisée, dans sa totalité, dans un autoclave à la température de 121°C pendant 20 minutes. Après la stérilisation, la pipette doit être séchée et refroidie à la température ambiante.

On recommande:

- de stériliser les pipettes dans un autoclave avec un cycle du vide primaire et du séchage,
- de dévisser légèrement le piston assemble dans les pipettes 2 - 1000 et l'embout dans les pipettes 5000 et 10000 avant la stérilisation. Après la stérilisation, les pièces doivent être resserrées

Les embouts porte-cône des pipettes 5000 et 10000 doivent être stérilisés dans un autoclave sans filtre.

Dans les conditions correctes d'exploitation et de stérilisation dans un autoclave, la reproduction des résultats ne change pas. Il peut y avoir une légère modification de l'exactitude du dosage. C'est pourquoi, on recommande:

- de vérifier le calibrage des pipettes après 1, 3 et 5 stérilisations dans un autoclave, et ensuite toutes les 10 stérilisations.

Stérilisation aux rayons Ultra Violet (UV)

Les pipettes sont résistantes aux UV. Toutefois, la distance recommandée entre la source de rayonnement et l'élément exposé ne doit pas être inférieure à 50 cm. Une exposition prolongée et très intense aux UV peut décolorer des éléments de la pipette, sans affecter leurs performances.

12. Contenu de l'emballage

Les pipettes sont fournies dans une compléation suivante:

- Pipette
- Instruction
- Clé de calibrage
- Graisse (pipettes mono-canal)
- Filtre (pipettes 5000, 10000)
- Tétine (pipettes 2, 10, 5000 et 10000)

13. Pièces détachées

Les parties présentées sur la Fig. 3, 4, 5, 7:

A: Bouton poussoir de pipettage **A1:** Bouton **A2:** Vis

B: Vis de réglage de volume

C: Embout porte-cône

D: Ejecteur

F: Écrou raccord

G: Piston assemblé

I: Joint torique

J: Joint d'étanchéité

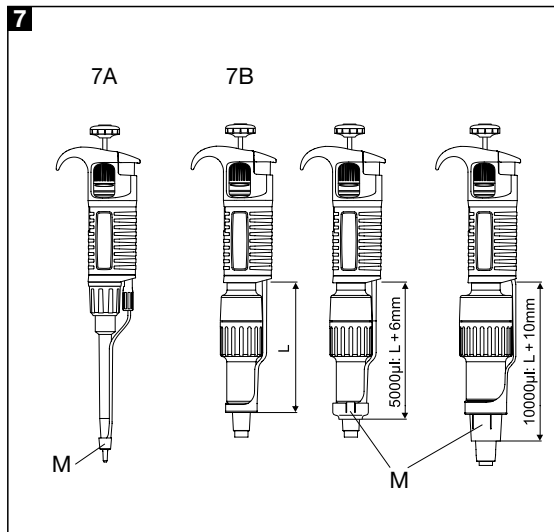
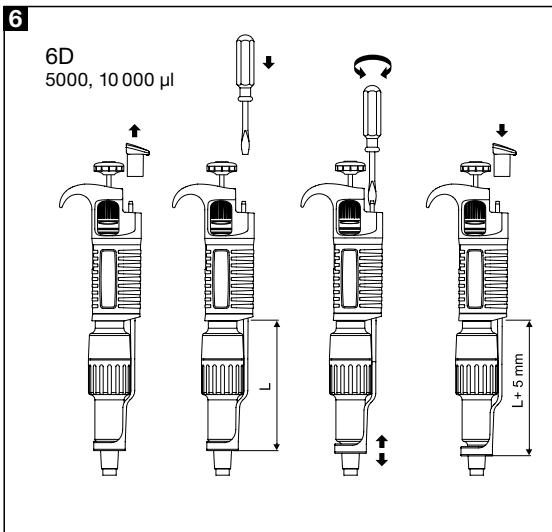
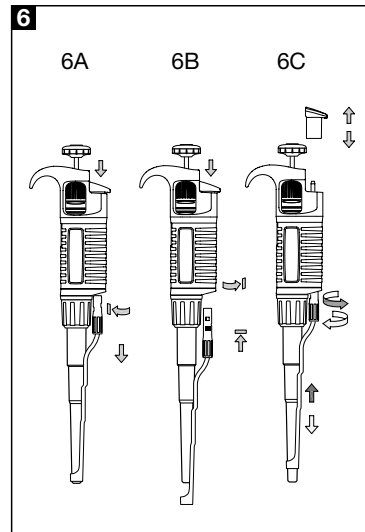
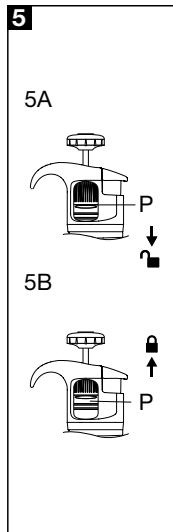
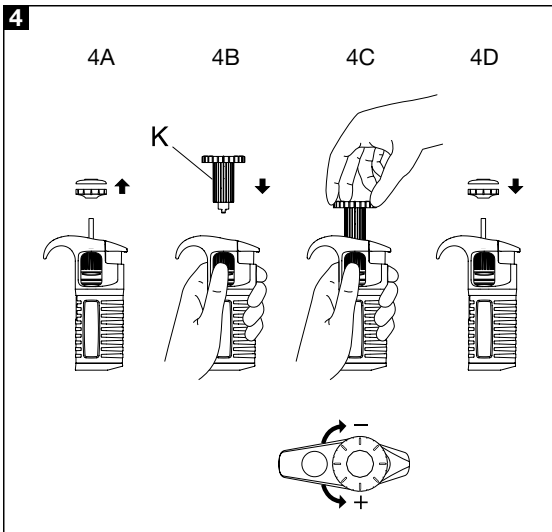
K: Clé de calibrage

L: Filtre

M: Tétine

N: Bouton de l'éjecteur

vous pourrez les obtenir chez le représentant Dominique Dutscher. En commandant les pièces, préciser la désignation et le type de la pipette.



Made in Poland

CLP/10/2019/IU