

Quick Start Guide For MagnetaPure 32 Plus



This is a short protocol and does not replace the original manual. Carefully read the whole manual and safety instructions prior to operation!



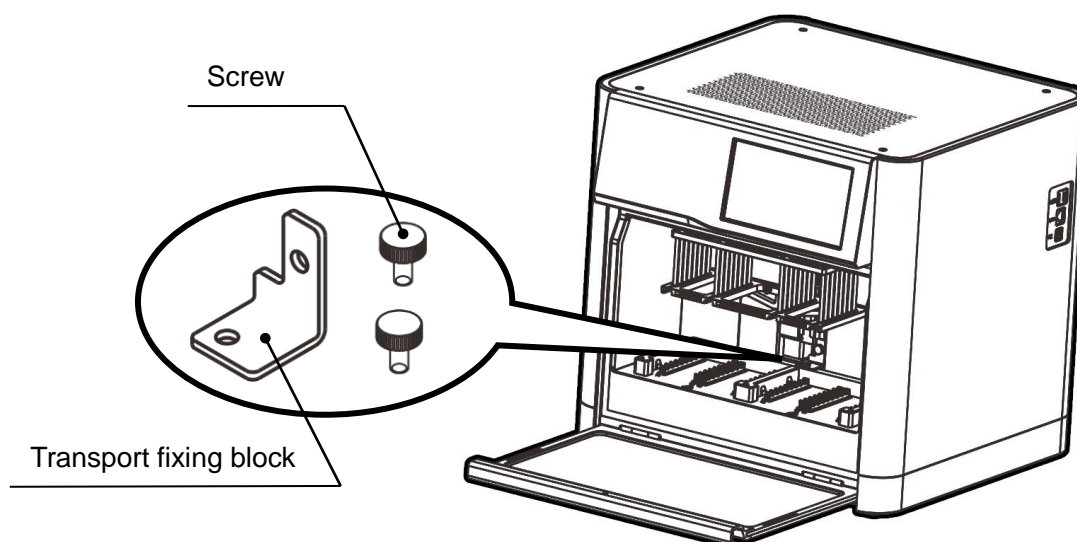
Remove the transport lock before switching on the device! **Do NOT power the instrument on prior to removing the transport lock.**



Always ensure that the local supply voltage in the laboratory conforms to that specified on the type label on the back of the instrument. Do not connect from ungrounded power sockets.

1. Preparation

Remove the instrument from the packing case, Remove the tape around the cabin door, open the door. Remove the two screws by hand as shown in the figure below and remove the red transport fixing block to release the moving parts.



In the process of dismantling, please be careful not to collide with magnetic rods, otherwise it will damage the magnetic rod!

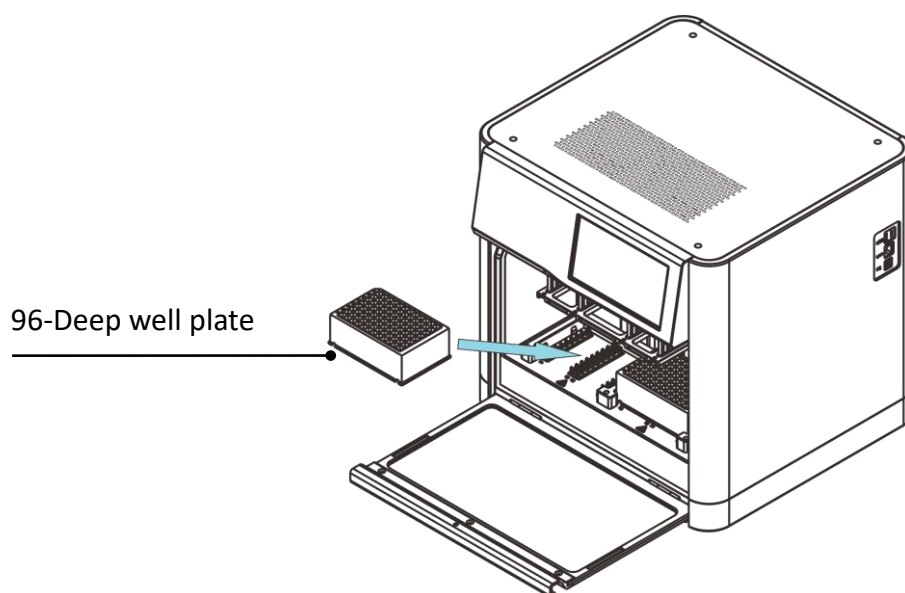
Do NOT power the instrument on prior to removing the transport lock.

2. Connect the power

Connect one end of power cord to the instrument socket and the other to power (AC100~240V), then turn on the power switch.

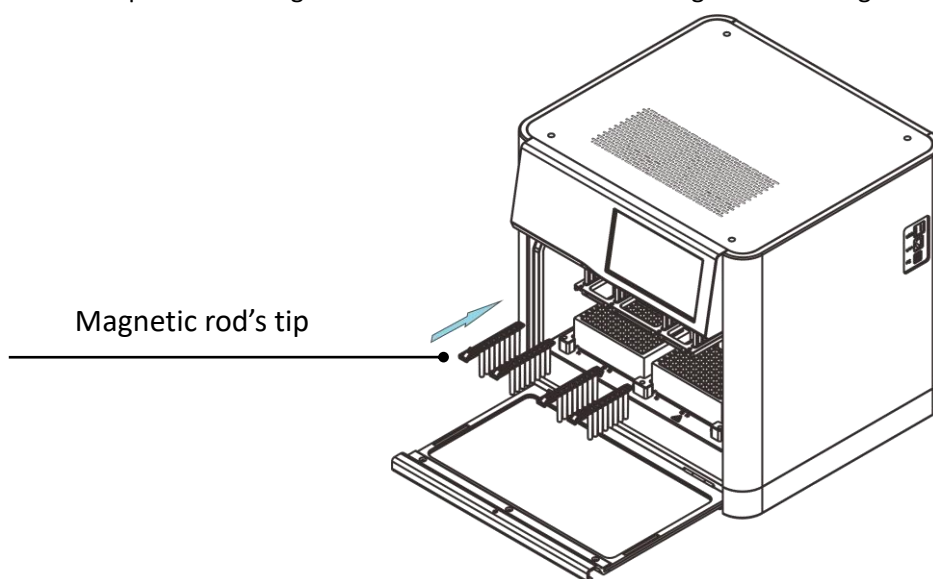
3. Plate installation

Prepare the plates according to the manufacturer's protocol instructions. Open the cabin door and place the appropriately prepared 96-well plates with the sample in the locating slot according to the arrow. Pay attention to the orientation of the plate: Place the A1 well of the plate so that it is in the upper left corner.



4. Install the magnetic rod cover

Insert the tip combs into the slots on the mounting groove of the tip comb holder according to the arrow. Ensure the tip combs are fully inserted as it may damage the magnetic rods if installation is incorrect. Never operate the MagnetaPure 32 Plus without the magnetic rods being covered with the tip combs.



5. Operation

For details on operation, setting and operation, please refer to the operating instructions.