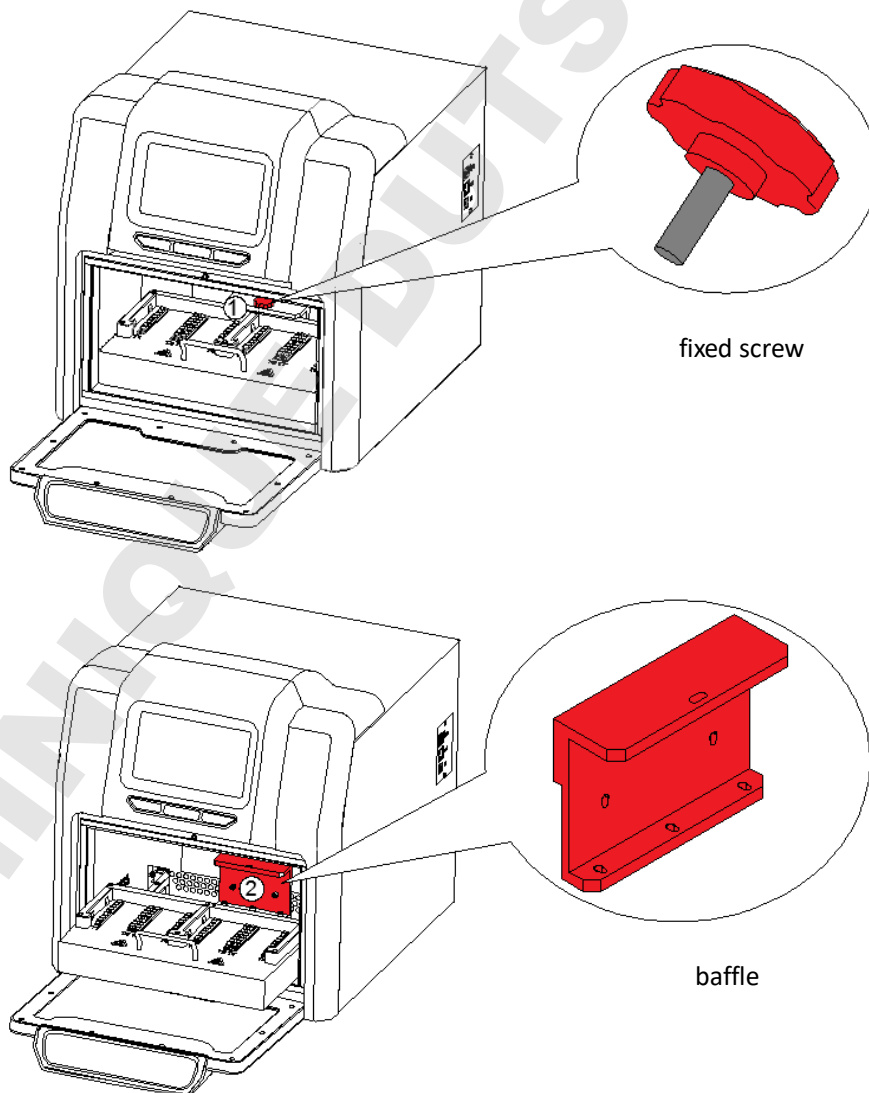


Quick Start Guide For MagnetaPure 32

- ◆ Using the tools come with instrument to release the drawer, horizontal movement structure and magnetic rod cover before power on.
- ◆ This guide can not instead of operation manual, read operation manual before operation is necessary
- ◆ Check and confirm the voltage fit requires before using.

1. Preparation

Take out the instrument from packing carton and tear off the tape on the edge of operation window, then open it and take out the foam. First please screw out the fixed screw of position ① as below .Second please screw out the screw of position ② then you can take out the baffle and release the moving component



Note: Be careful in operating or the magnetic rod will be broken.

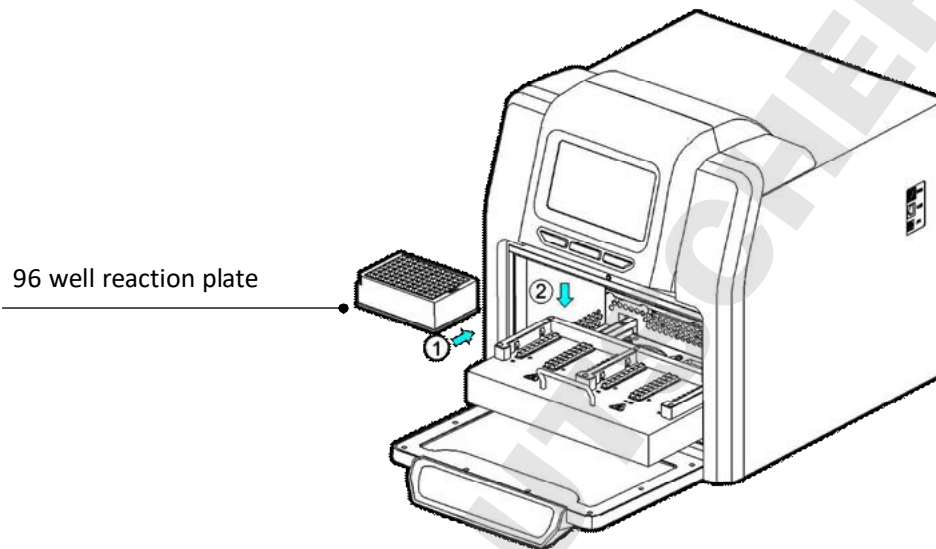
2. Connect the power

Connect one end of power cord to the instrument socket and the other to power (AC100~240V), then turn on the power switch.

3. Install the reagent kit

Install the 96 well reaction plate on MagnetaPure 32.

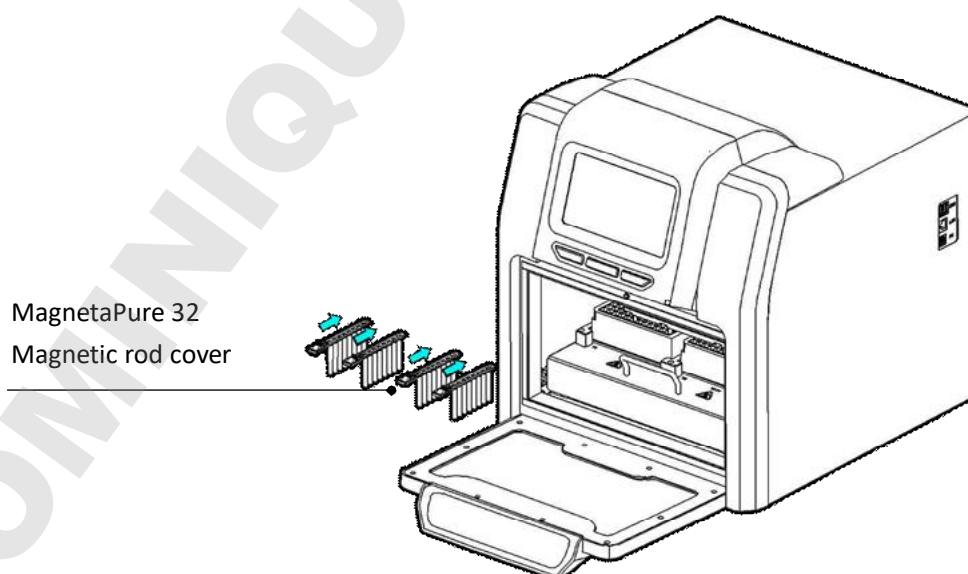
Take out the drawer and put the 96 well reaction plate which already filled with samples mounted on the locating slot, make sure the plate with chamfering should be on the left side, then push back the drawer slowly.



4. Install the magnetic rod cover

Install the magnetic rod cover for MagnetaPure 32

Insert the magnetic rod cover completely on the mounting groove, and the installation quantity depends on the reagent kit number.



5. Operation

Details running, setting and operation refer to **Operation Manual**.