

Thermo Scientific Solaris Temperature Controlled Benchtop Shakers

Revision 1 (March 2023)

Operational Specification	SK2001	SK4001	SK2002	SK4002
Speed range	15 - 525 rpm	15 - 525 rpm	15 - 525 rpm	15 - 525 rpm
Temperature setting range	30 - 60 °C	30 - 60 °C	5 - 60 °C	4 - 60 °C
Cooling System	N/A	N/A	Peltier - Refrigerant Free Cooling	
Temperature stability at 37 °C in Flask	± 0.1 °C	± 0.1 °C	± 0.1 °C	± 0.1 °C
Temperature uniformity at 37 °C in Flask	± 0.5 °C	± 0.5 °C	± 0.5 °C	± 0.5 °C
Programmability	Create and store up to 99 Programs with up to 20 segments			
Running time	99 hours 59 minutes with 1 minute increments or continuous mode			
Noise level*	52 dB (A)	52 dB (A)	56 dB (A)	56 dB (A)
Maximum load**	35 lbs / 16 kg	70.5 lbs / 32 kg	35 lbs / 16 kg	70.5 lbs / 32 kg
Platform weight (11"x14")	5.1 lbs / 2.3 kg	9.5 lbs / 4.3 kg	5.1 lbs / 2.3 kg	9.5 lbs / 4.3 kg
Electrical connection	100–120, 200–240V ±10%, 50/ 60 Hz		100–240 V ±10 %, 50 / 60 Hz	
Power consumption	900 W	900 W	350 W	750 W
Product Warranty	2 years labor, 5 years parts, and 10 years shaking mechanism			
Available Languages	English, Chinese, Spanish, Portuguese, French, German, Italian, Japanese, Korean, Russian			

Dimensions	SK2001	SK4001	SK2002	SK4002
Exterior				
Length	27.6 in / 70cm	30.3 in / 77cm	27.6 in / 70cm	30.3 in / 77cm
Width	14.2 in / 36 cm	22.4 in / 57 cm	14.2 in / 36 cm	22.4 in / 57 cm
Height	18.1 in / 46 cm	21.7 in / 55 cm	18.1 in / 46 cm	21.7 in / 55 cm
Height with lid open	30.8 in / 79 cm	36.7 in / 94 cm	30.8 in / 79 cm	36.7 in / 94 cm
Interior				
Length	13.9 in / 35 cm	17.8 in / 45 cm	13.9 in / 35 cm	17.8 in / 45 cm
Width	12.4 in / 33 cm	20.5 in / 52 cm	12.4 in / 33 cm	20.5 in / 52 cm
Height	11.5 in / 29 cm	14.0 in / 35 cm	11.5 in / 29 cm	14.0 in / 35 cm
Weight	99 lbs / 44.9 kg	150 lbs / 68.1 kg	104 lbs / 47.2 kg	165 lbs / 74.9 kg
Shipping Specifications				
L x W x H (in.)	34"x29"x31"	34"x29"x31"	34"x29"x31"	34"x29"x31"
Weight	145 lbs / 65.8 kg	202 lbs / 91.6 kg	153 lbs / 69.4 kg	216 lbs / 98 kg
Required Clearance				
> 3" air space above hood	3 in or 8 cm on all 4 sides		3 in or 8 cm on all 4 sides	
< 3" air space above hood	3 in or 8 cm on all 4 sides		12 in or 30 cm on all 4 sides	

Environmental Conditions	All Solaris Temperature Controlled Benchtop Shakers
Shipping and Storage	Temperature range of -10 to 55 °C with 15% to 85% humidity
Conditions for operation	Non-Corrosive, Non-Flammable, Non-Explosive, Good Air Ventilation, Interior Spaces and up to 3,000 m above sea level
Operating Temp and Humidity	5 to 40 °C with 80% RH up to 31 °C; decreasing linearly to 50% RH at 40 °C
Pollution Degree	2
Overvoltage Category	II
IP	20

* - at max speed measured 1 m in front of the unit at 1.6 m height

** - weight includes platform, accessories, sample



Thermo Scientific Solaris Temperature Controlled Benchtop Shakers

Revision 1 (March 2023)

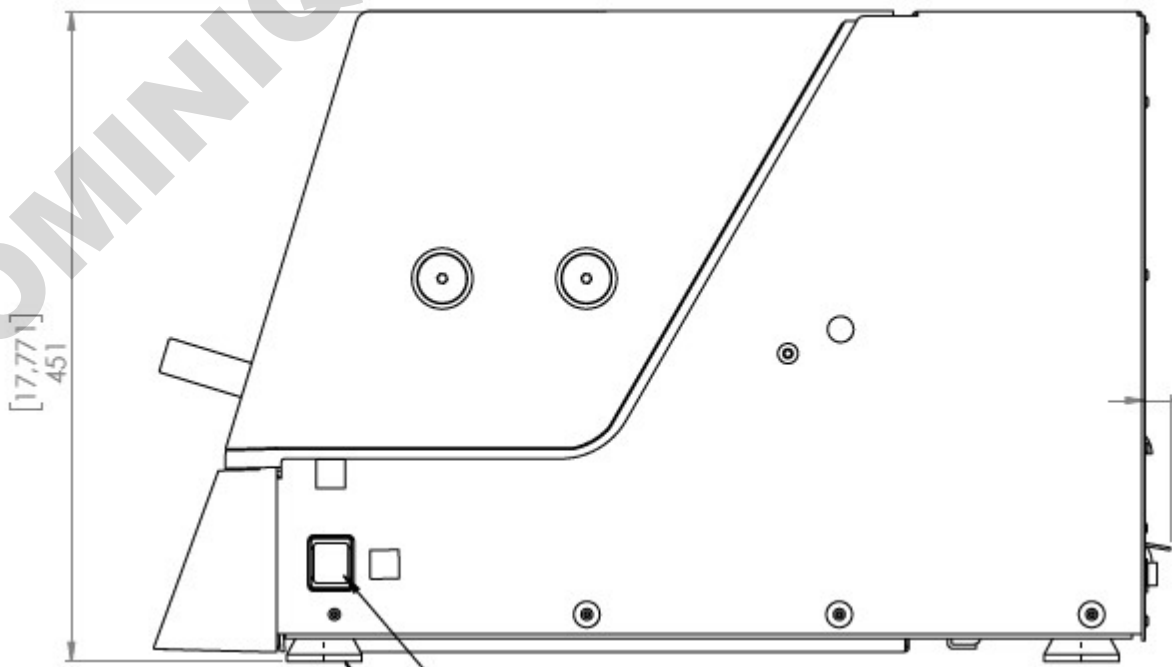
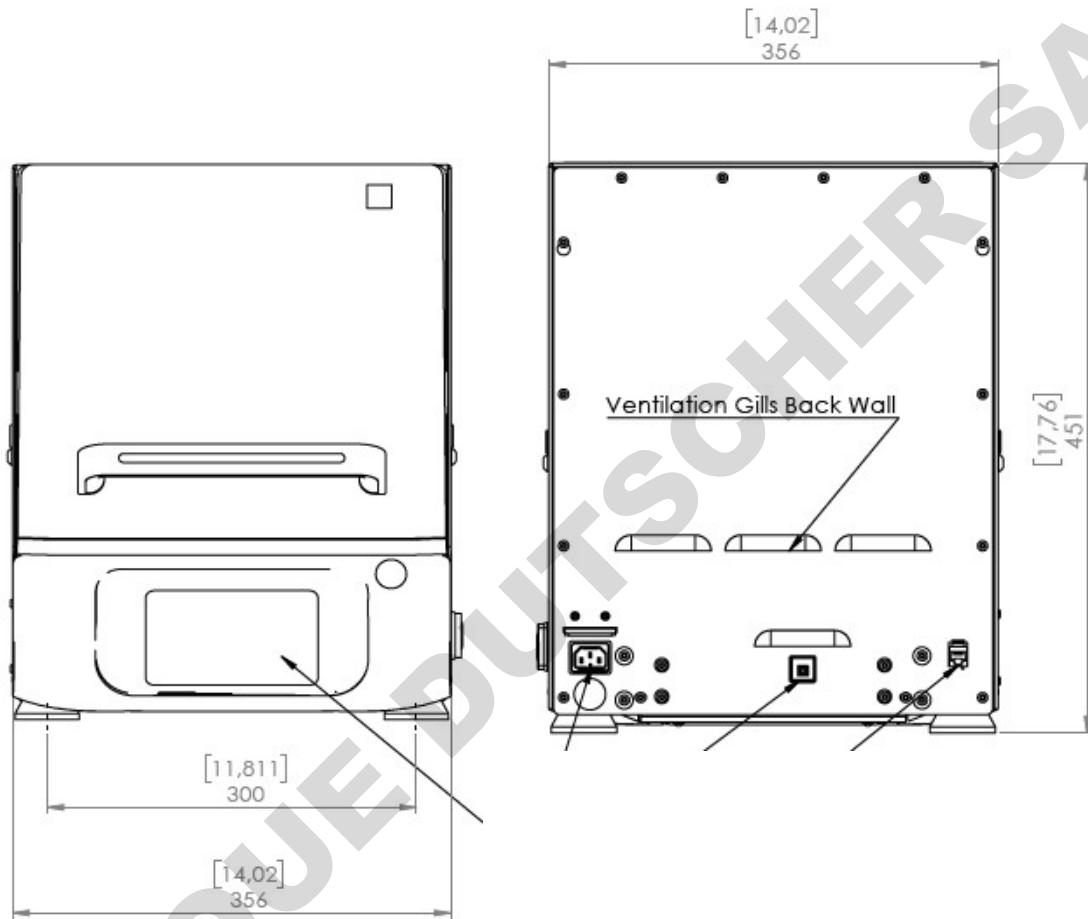
Connectivity Interfaces	All Solaris Temperature Controlled Benchtop Shakers
USB	2 x USB-A 2.0
Ethernet	RJ45

Product Support	All Solaris Temperature Controlled Benchtop Shakers
Manufacturing Location	401 Mill Creek Rd. Marietta, OH 45750
North America Customer Support	Phone: (866)984-3766 Email customerservice.led.asheville@thermofisher.com
Pre-Sales Support	LED.PreSales@thermofisher.com

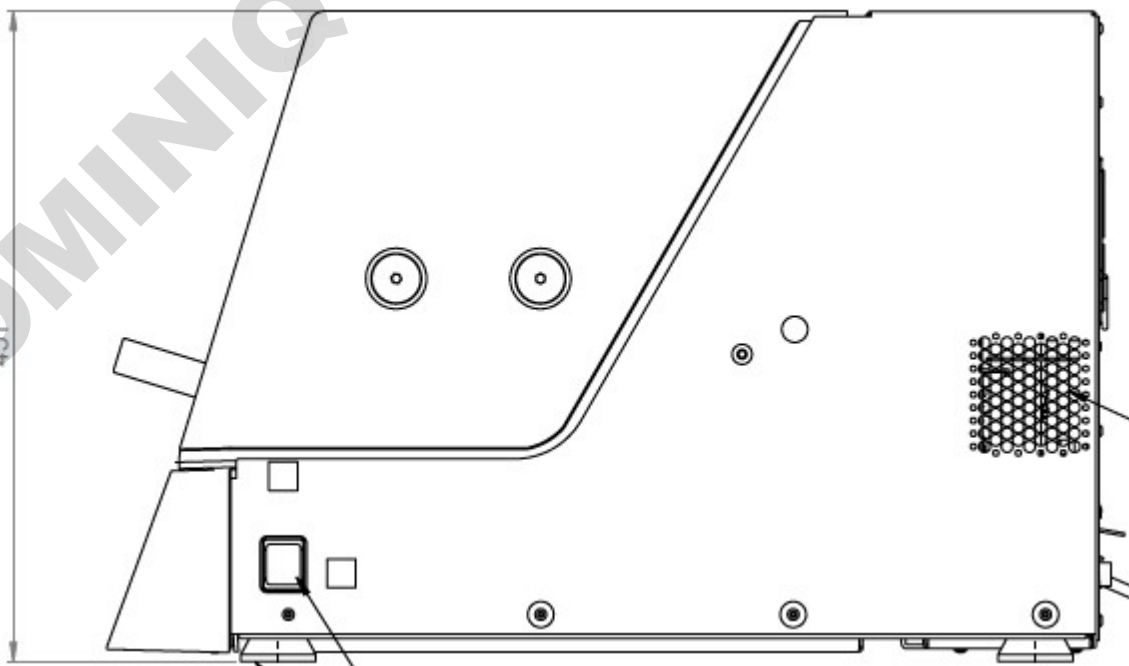
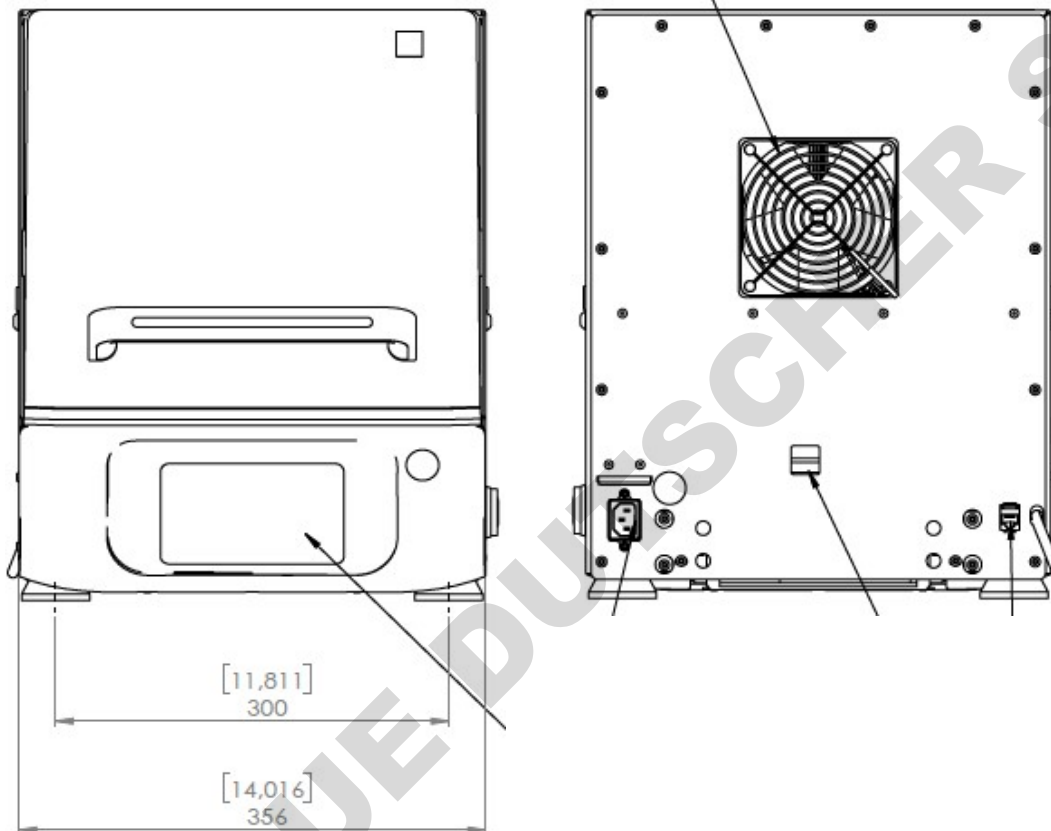
Materials of Construction	All Solaris Temperature Controlled Benchtop Shakers
Insulation	Expanded polypropylene (EPP) and synthetic rubber insulation foam
Exterior material—Housing	Cold rolled steel sheet metal: Painted or powder coated
Exterior material—Front Nose	PC-ABS plastic
Heating Element	Aluminum die cast body with stainless steel covered electrical heater elements
Device rear panel	Aluminum sheet metal
Lid	7mm thick acrylic glass
Platform material	High strength & precision Aluminum plates
Condenser tray	PC-ABS
Wiring	UL approved PVC-coated electrical cables
Fan and blower wheel	Glass-fiber reinforced Polyamide
Control panel	PC-ABS
Shaker mechanism	High strength Aluminum plates with steel ball bearings and stainless steel excentre shafts



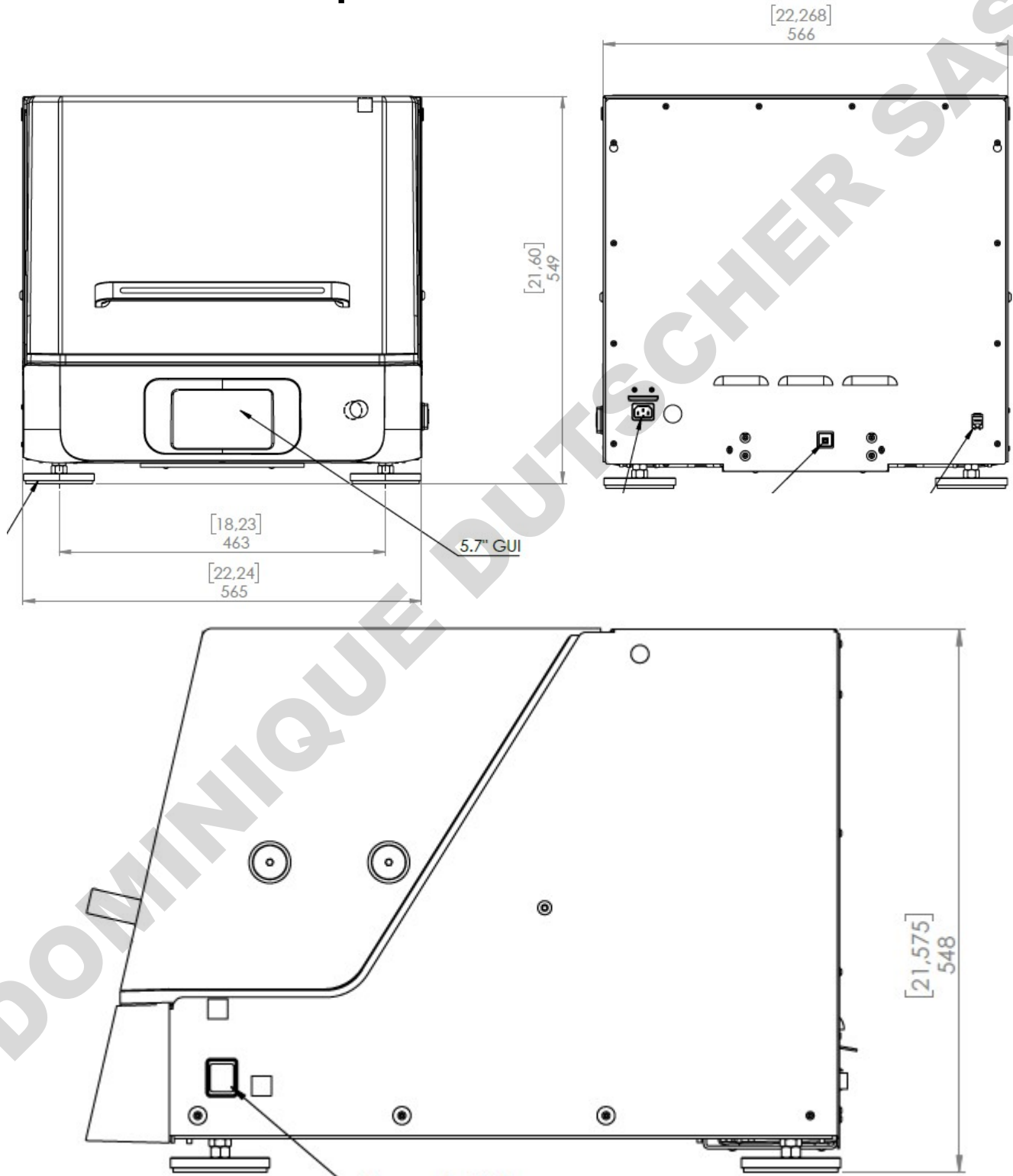
Thermo Scientific™ Solaris™ SK2001 Incubated Benchtop Shaker



Thermo Scientific™ Solaris™ SK2002 Incubated and Refrigerated Benchtop Shaker



Thermo Scientific™ Solaris™ SK4001 Incubated Benchtop Shaker



Thermo Scientific™ Solaris™ SK4002 Incubated and Refrigerated Benchtop Shaker

