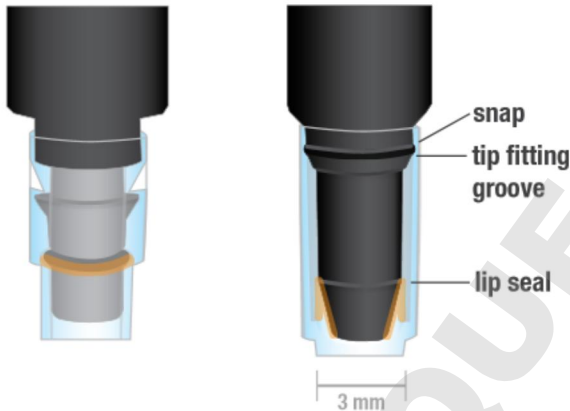


Thermo Scientific ClipTip Pipette Tips

Thermo Scientific™ ClipTip™ pipette tips provide a unique locking tip interface that allows stable, straight mounting on Thermo Scientific F1-ClipTip manual pipettes or E1-ClipTip electronic pipettes. ClipTip pipette tips feature “clips” that lock tips in place. Simply touch the pipette to the ClipTip pipette tip for a secure seal. The ClipTip pipette tip will only release when ejected using minimal application pressure.



ClipTip Interlock technology that locks tips into place for a complete seal every time.

The 96-format ClipTip 12.5 and all ClipTip 384 tips feature a ‘Snap and Lip’ seal mechanism for tip attachment.

Absolute tip attachment.

The ClipTip pipette tips lock into place to create a complete seal until released. Users have full tip control throughout pipetting, as pipette tips will only release when ejected, regardless of application pressure.

Clip and Lip tip attachment technology.

The 96-format ClipTip 12.5 and all ClipTip 384 tips feature a ‘Snap and Lip’ seal mechanism for tip attachment. The tip has small incorporated protrusions that snap on the tip fitting flange, ensuring light-force and secure tip attachment.

Superior ergonomics.

Simply touch the Thermo Scientific F1-ClipTip manual pipette or E1-ClipTip electronic pipette to the ClipTip to lock in place with minimal effort.

Immediate traceability.

Each tip insert has ink-jetted lot and volume information. The convenient color key makes it easy to match the color of the F1-ClipTip pipette plunger cap or buttons on the E1-ClipTip pipette with the corresponding ClipTip pipette tip rack insert.

Superior Contamination Control.

The interlocking tip design prevents sample contamination caused from loose, leaking tips that can fall off. Filter tips prevent carry over contamination protecting both the pipette and the sample.

Low Retention.

Innovative technology creates a hydrophobic inner pipette tip surface to minimize liquid retention, and enable maximum sample recovery. This low retention technology is completely inert and increases accuracy and precision. Available in ClipTip 20-1250 96-format tips.

Proven Quality.

Certified free of RNase, DNase, DNA, ATP and Endotoxin*.

Environmental responsibility.

The ClipTip pipette tip reload system incorporates re-usable hinged racks with plastic reload sleeves which which reduces waste by an average of 35%.

Versatile Tip Range.

Choose from six sizes in 96-format: 12.5, 20, 50, 200, 300, 1000 and 1250 μ l

Choose from three sizes in 384-format: 12.5, 30 and 125 μ l



*A lot specific Certificate of Quality with purity level information is provided in every unit box.

Thermo
SCIENTIFIC

Thermo Scientific ClipTip Pipette Tips

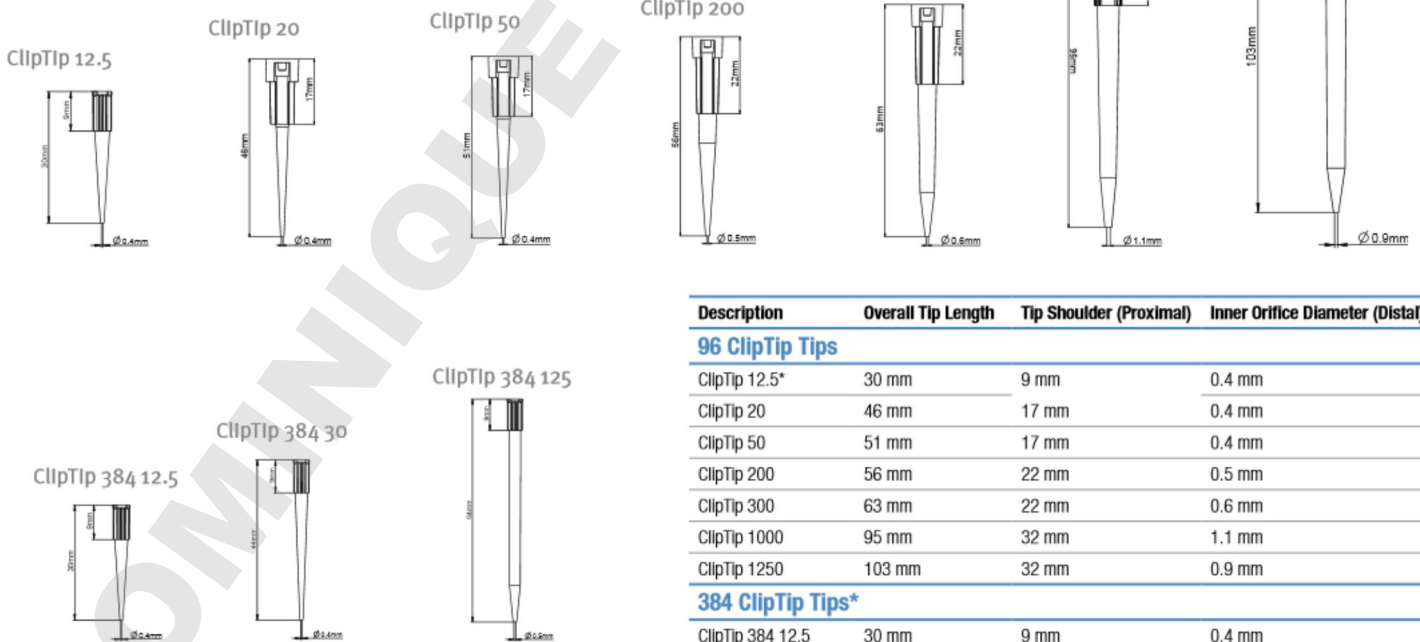
| Item No. | Description | Color Key | Volume Range | Packaging |
|-------------------------------|--------------------------------------|-----------|--------------|----------------|
| 96-format ClipTip Tips | | | | |
| 94410040 | ClipTip 12.5* | ● | 0.5-12.5 µl | 10 x 96/rack |
| 94410043 | ClipTip 12.5, Sterile* | ● | 0.5-12.5 µl | 10 x 96/rack |
| 94420043 | ClipTip 12.5, Filter, Sterile* | ● | 0.5-12.5 µl | 10 x 96/rack |
| 94410210 | ClipTip 20 | ● | 1-20 µl | 10 x 96/rack |
| 94410213 | ClipTip 20, Sterile | ● | 1-20 µl | 10 x 96/rack |
| 94410217 | ClipTip 20, Reload Tower | ● | 1-20 µl | 10 x 96/insert |
| 94410218 | ClipTip 20, Reload Tower, Sterile | ● | 1-20 µl | 10 x 96/insert |
| 94420213 | ClipTip 20, Filter, Sterile | ● | 1-20 µl | 10 x 96/rack |
| 94420218 | ClipTip 20, Filter Reload, Sterile | ● | 1-20 µl | 10 x 96/insert |
| 94410250 | ClipTip 50 | ● | 5-50 µl | 10 x 96/rack |
| 94410253 | ClipTip 50, Sterile | ● | 5-50 µl | 10 x 96/rack |
| 94410257 | ClipTip 50, Reload Tower | ● | 5-50 µl | 10 x 96/insert |
| 94410258 | ClipTip 50, Reload Tower, Sterile | ● | 5-50 µl | 10 x 96/insert |
| 94420253 | ClipTip 50, Filter, Sterile | ● | 5-50 µl | 10 x 96/rack |
| 94420258 | ClipTip 50, Filter Reload, Sterile | ● | 5-50 µl | 10 x 96/insert |
| 94410310 | ClipTip 200 | ● | 2-200 µl | 10 x 96/rack |
| 94410313 | ClipTip 200, sterile | ● | 2-200 µl | 10 x 96/rack |
| 94410317 | ClipTip 200 Reload Tower | ● | 2-200 µl | 10 x 96/insert |
| 94410318 | ClipTip 200 Reload Tower, sterile | ● | 2-200 µl | 10 x 96/insert |
| 94420313 | ClipTip 200 Filter, sterile | ● | 2-200 µl | 10 x 96/rack |
| 94420318 | ClipTip 200 Filter Reload, sterile | ● | 2-200 µl | 10 x 96/insert |
| 94410510 | ClipTip 300, Racked | ● | 10-300 µl | 10 x 96/rack |
| 94410513 | ClipTip 300, Racked, Sterile | ● | 10-300 µl | 10 x 96/rack |
| 94410517 | ClipTip 300, Reload Tower | ● | 10-300 µl | 10 x 96/insert |
| 94410518 | ClipTip 300, Reload Tower, Sterile | ● | 10-300 µl | 10 x 96/insert |
| 94420513 | ClipTip 300, Filter, Racked, Sterile | ● | 10-300 µl | 10 x 96/rack |
| 94420518 | ClipTip 300, Filter, Reload, Sterile | ● | 10-300 µl | 10 x 96/insert |

| Item No. | Description | Color Key | Volume Range | Packaging |
|----------|--------------------------------------|-----------|--------------|---------------|
| 94410710 | ClipTip 1000 | ● | 30-1000 µl | 8 x 96/rack |
| 94410713 | ClipTip 1000, Sterile | ● | 30-1000 µl | 8 x 96/rack |
| 94410717 | ClipTip 1000, Reload Tower | ● | 30-1000 µl | 8 x 96/insert |
| 94410718 | ClipTip 1000, Reload Tower, Sterile | ● | 30-1000 µl | 8 x 96/insert |
| 94420713 | ClipTip 1000, Filter, Sterile | ● | 30-1000 µl | 8 x 96/rack |
| 94420718 | ClipTip 1000, Filter Reload, Sterile | ● | 30-1000 µl | 8 x 96/insert |
| 94410810 | ClipTip 1250 | ● | 50-1250 µl | 8 x 96/rack |
| 94410813 | ClipTip 1250, Sterile | ● | 50-1250 µl | 8 x 96/rack |
| 94410817 | ClipTip 1250, Reload Insert | ● | 50-1250 µl | 8 x 96/insert |
| 94410818 | ClipTip 1250, Reload Insert, Sterile | ● | 50-1250 µl | 8 x 96/insert |
| 94420813 | ClipTip 1250, Filter, Sterile | ● | 50-1250 µl | 8 x 96/rack |
| 94420818 | ClipTip 1250, Filter Reload, Sterile | ● | 50-1250 µl | 8 x 96/insert |

384 ClipTip Tips*

| | | | | |
|----------|-----------------------------------|---|-------------|-------------|
| 94410050 | ClipTip 384 12.5 | ● | 0.5-12.5 µl | 10x384/rack |
| 94410053 | ClipTip 384 12.5, Sterile | ● | 0.5-12.5 µl | 10x384/rack |
| 94420053 | ClipTip 384 12.5, Filter, Sterile | ● | 0.5-12.5 µl | 10x384/rack |
| 94410100 | ClipTip 384 30 | ● | 1-30 µl | 10x384/rack |
| 94410103 | ClipTip 384 30, Sterile | ● | 1-30 µl | 10x384/rack |
| 94420103 | ClipTip 384 30 Filter, Sterile | ● | 1-30 µl | 10x384/rack |
| 94410150 | ClipTip 384 125 | ● | 2-125 µl | 10x384/rack |
| 94410153 | ClipTip 384 125, sterile | ● | 2-125 µl | 10x384/rack |
| 94420153 | ClipTip 384 125 Filter, sterile | ● | 2-125 µl | 10x384/rack |

* ClipTip 12.5 and ClipTip 384 tips do not have interlocking tip interface or low retention technology.



| Description | Overall Tip Length | Tip Shoulder (Proximal) | Inner Orifice Diameter (Distal) |
|--------------------------|--------------------|-------------------------|---------------------------------|
| 96 ClipTip Tips | | | |
| ClipTip 12.5* | 30 mm | 9 mm | 0.4 mm |
| ClipTip 20 | 46 mm | 17 mm | 0.4 mm |
| ClipTip 50 | 51 mm | 17 mm | 0.4 mm |
| ClipTip 200 | 56 mm | 22 mm | 0.5 mm |
| ClipTip 300 | 63 mm | 22 mm | 0.6 mm |
| ClipTip 1000 | 95 mm | 32 mm | 1.1 mm |
| ClipTip 1250 | 103 mm | 32 mm | 0.9 mm |
| 384 ClipTip Tips* | | | |
| ClipTip 384 12.5 | 30 mm | 9 mm | 0.4 mm |
| ClipTip 384 30 | 44 mm | 9 mm | 0.4 mm |
| ClipTip 384 125 | 64 mm | 9 mm | 0.5 mm |

* All ClipTip pipette tips are low retention with the exception of 384 and 12.5 models. ClipTip 384 and ClipTip 12.5 tips and compatible E1-ClipTip models do not have interlock technology.

ClipTip Compatibility

| Order No. | Description | ClipTip | | | | | | |
|-----------------------------------|---------------------------|--------------|------------|------------|-------------|-------------|--------------|--------------|
| | | ClipTip 12.5 | ClipTip 20 | ClipTip 50 | ClipTip 200 | ClipTip 300 | ClipTip 1000 | ClipTip 1250 |
| F1-ClipTip Manual Pipettes | | | | | | | | |
| Single channels | | | | | | | | |
| 4641170 | F1-ClipTip 1-10µl | | • | | | | | |
| 4641180 | F1-ClipTip 2-20µl | | • | | | | | |
| 4641190 | F1-ClipTip 5-50µl | | | • | | | | |
| 4641200 | F1-ClipTip 10-100µl | | | | • | | | |
| 4641210 | F1-ClipTip 20-200µl | | | | | • | | |
| 4641220 | F1-ClipTip 30-300µl | | | | | | • | |
| 4641230 | F1-ClipTip 100-1000µl | | | | | | | • |
| 4651170 | F1-ClipTip 1µl 1x vol | • | | | | | | |
| 4651180 | F1-ClipTip 5µl 1x vol | • | | | | | | |
| 4651190 | F1-ClipTip 10µl 1x vol | • | | | | | | |
| 4651200 | F1-ClipTip 20µl 1x vol | • | | | | | | |
| 4651210 | F1-ClipTip 25µl 1x vol | | • | | | | | |
| 4651220 | F1-ClipTip 50µl 1x vol | | • | | | | | |
| 4651230 | F1-ClipTip 100µl 1x vol | | | • | | | | |
| 4651240 | F1-ClipTip 200µl 1x vol | | | | • | | | |
| 4651250 | F1-ClipTip 250µl 1x vol | | | | | • | | |
| 4651260 | F1-ClipTip 500µl 1x vol | | | | | | • | |
| 4651270 | F1-ClipTip 1000µl 1x vol | | | | | | | • |
| Multichannels | | | | | | | | |
| 4661110 | F1-ClipTip 8-ch 1-10µl | | • | | | | | |
| 4661120 | F1-ClipTip 8-ch 5-50µl | | | • | | | | |
| 4661130 | F1-ClipTip 8-ch 10-100µl | | | | • | | | |
| 4661140 | F1-ClipTip 8-ch 30-300µl | | | | | • | | |
| 4661150 | F1-ClipTip 12-ch 1-10µl | | • | | | | | |
| 4661160 | F1-ClipTip 12-ch 5-50µl | | | • | | | | |
| 4661170 | F1-ClipTip 12-ch 10-100µl | | | | • | | | |
| 4661180 | F1-ClipTip 12-ch 30-300µl | | | | | • | | |

| Order No. | Description | ClipTip | | | | | | | | | |
|---------------------------------------|--------------------------------------------|--------------|------------|------------|-------------|-------------|--------------|--------------|------------------|----------------|-----------------|
| | | ClipTip 12.5 | ClipTip 20 | ClipTip 50 | ClipTip 200 | ClipTip 300 | ClipTip 1000 | ClipTip 1250 | ClipTip 12.5 384 | ClipTip 30 384 | ClipTip 125 384 |
| E1-ClipTip Electronic Pipettes | | | | | | | | | | | |
| Single channels | | | | | | | | | | | |
| 4670000 | E1-ClipTip 0.5-12.5 µl | • | | | | | | | | | |
| 4670020 | E1-ClipTip 2-125 µl | | | | • | | | | | | |
| 4670030 | E1-ClipTip 10-300 µl | | | | | • | | | | | |
| 4670040 | E1-ClipTip 50-1250 µl | | | | | | • | | | | |
| Multichannels | | | | | | | | | | | |
| 4671000 | E1-ClipTip 8-ch 0.5-12.5 µl | • | | | | | | | | | |
| 4671040 | E1-ClipTip 8-ch 2-125 µl | | | | • | | | | | | |
| 4671070 | E1-ClipTip 8-ch 10-300 µl | | | | | • | | | | | |
| 4671100 | E1-ClipTip 8-ch 50-1250 µl | | | | | | • | | | | |
| 4671010 | E1-ClipTip 12-ch 0.5-12.5 µl | • | | | | | | | | | |
| 4671050 | E1-ClipTip 12-ch 2-125 µl | | | | • | | | | | | |
| 4671080 | E1-ClipTip 12-ch 10-300 µl | | | | | • | | | | | |
| 4671090 | E1-ClipTip 12-ch 30-850 µl | | | | | | • | | | | |
| 4671020 | E1-ClipTip 16-ch 0.5-12.5 µl | | | | | | | • | | | |
| 4671030 | E1-ClipTip 16-ch 1-30 µl | | | | | | | | • | | |
| 4671060 | E1-ClipTip 16-ch 2-125 µl | | | | | | | | | • | |
| Adjustable Tip Spacing Multichannels | | | | | | | | | | | |
| 4672090 | E1-ClipTip Equalizer 6-ch 50-1250 µl | | | | | | | | • | | |
| 4672050 | E1-ClipTip Equalizer 8-ch 2-125 µl | | | | • | | | | | | |
| 4672080 | E1-ClipTip Equalizer 8-ch 10-300 µl | | | | | • | | | | | |
| 4672100 | E1-ClipTip Equalizer 8-ch 50-1250 µl | | | | | | • | | | | |
| 4672010 | E1-ClipTip Equalizer 384 8-ch 0.5-12.5 µl | | | | | | | • | | | |
| 4672030 | E1-ClipTip Equalizer 384 8-ch 1-30 µl | | | | | | | | • | | |
| 4672060 | E1-ClipTip Equalizer 384 8-ch 2-125 µl | | | | | | | | | • | |
| 4672020 | E1-ClipTip Equalizer 384 12-ch 0.5-12.5 µl | | | | | | | • | | | |
| 4672040 | E1-ClipTip Equalizer 384 12-ch 1-30 µl | | | | | | | | • | | |
| 4672070 | E1-ClipTip Equalizer 384 12-ch 2-125 µl | | | | | | | | | • | |

thermoscientific.com/dipltip

© 2014 Thermo Fisher Scientific Inc. All rights reserved. All trademarks are the property of Thermo Fisher Scientific Inc. and its subsidiaries. Specifications, terms and pricing are subject to change. Not all products are available in all countries. Please consult your local sales representative for details.

North America:
 USA/Canada +1 800 522 7763
 USA toll free 800 345 0206
Europe:
 Austria +43 1 801 40 0
 Belgium +32 2 482 30 30
 Finland/Nordic +358 9 329 100
 France +33 2 2803 2000

Germany national toll free 08001-536 376
 Germany international +49 6184 90 6940
 Italy +39 02 95059 1
 Netherlands +31 76 571 4440
 Russia/CIS +7 (812) 703 42 15
 Spain/Portugal +34 93 223 09 18
 Switzerland +41 44 454 12 12
 UK/Ireland +44 870 609 9203

Asia:
 Australia +613 9757 4474
 China +86 21 6865 4588 or +86 10 8419 3588
 India +91 22 5542 9494
 Japan +81 45 453 9220
 Other Asian countries +852 2885 4613
Countries not listed:
 +49 6184 90 6940 or +33 2 2803 2000

Thermo
 SCIENTIFIC

Part of Thermo Fisher Scientific