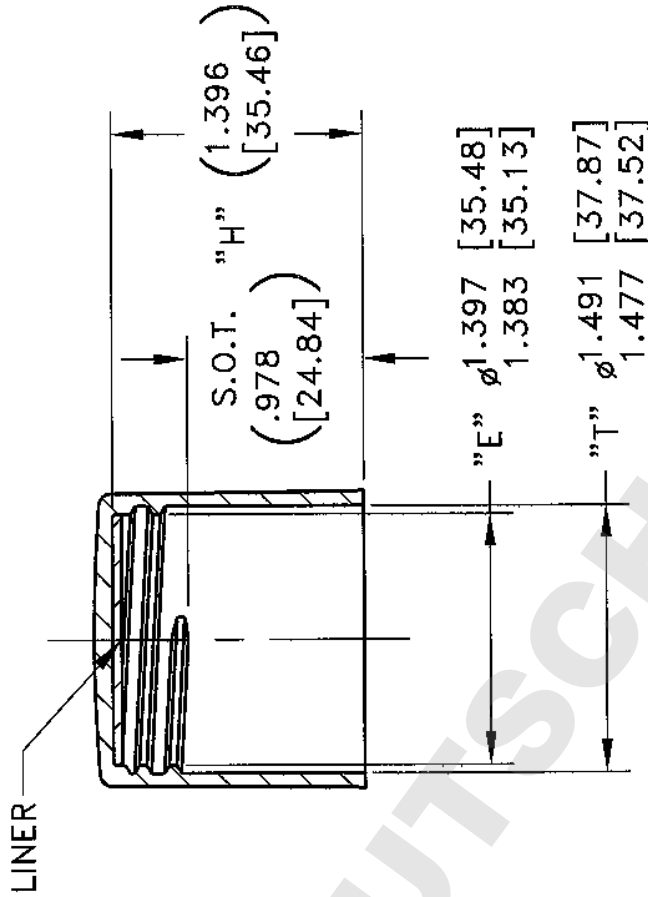
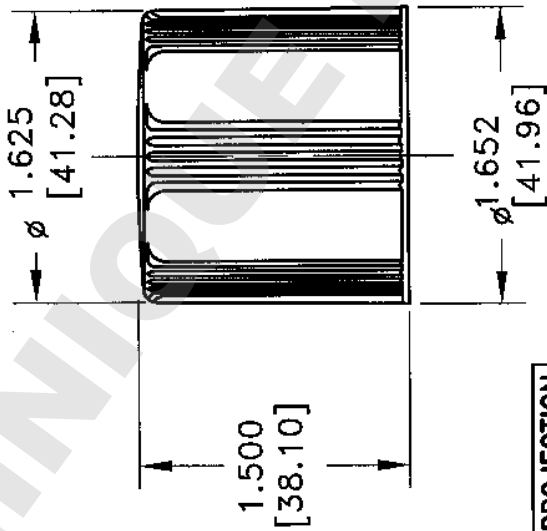
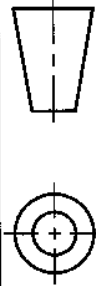


-----NOTES-----

1. DIMENSIONS ARE IN INCHES & [MILLIMETERS].



THIRD ANGLE PROJECTION



THIS DRAWING CONTAINS CONFIDENTIAL INFORMATION AND IS A COPYRIGHT OF WHEATON INDUSTRIES INC. IT MAY NOT BE REPRODUCED OR TRANSMITTED IN ANY FORM OR BY ANY MEANS, ELECTRONIC OR MECHANICAL, WITHOUT THE EXPRESS WRITTEN CONSENT OF WHEATON INDUSTRIES INC.

ALL RIGHTS RESERVED @
ELECTRONIC OR PAPER COPIES OF THIS PRINT OUTSIDE OF WHEATON'S SYSTEM ARE UNCONTROLLED AND ARE FOR REFERENCE ONLY UNLESS OTHERWISE STAMPED.

: \GCA\240269

MATERIAL: BLACK PHENOLIC CAP WITH 14B WHITE RUBBER
 ϕ 1.375 [34.93], .050 [1.27] THICK LINER BONDED TO CAP

TITLE		DATE DRAWN	09/23/13	PROJ #		INITIAL RELEASE	09/23/13	BL
38-415 CAP, PHEN BLK, WHT RUB LNR		DRAWN BY	B. LLOYD	APPROX. WGT.		E.C.N. #		DATE
CAPACITY		CHECKED BY	KW 9/23/13	AUTHORIZED EL	9/25/13	REV		
FINISH	38-415	SIZE		DWG.NO:A- 240269				
SCALE: FULL UNLESS NOTED. DO NOT SCALE THIS DRAWING.								