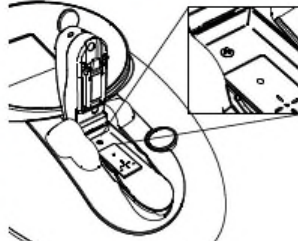
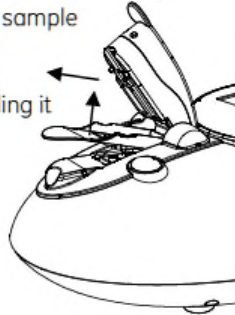


Lift the NanoVue head and follow the steps below to identify and replace the lower sample plate.

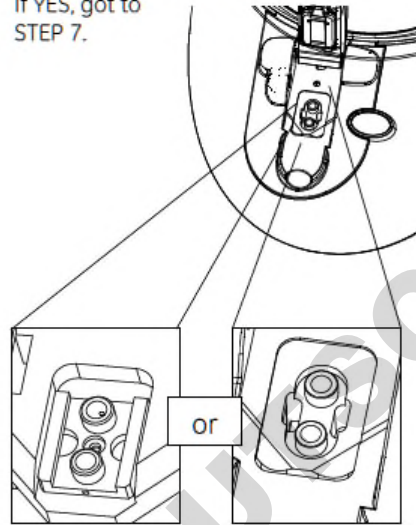
1. Has the sample plate got a screw in it?
If YES, go to STEP 10.



2. Remove the lower sample plate by lifting the moulding as illustrated and pulling it in the direction shown. This may require considerable force.



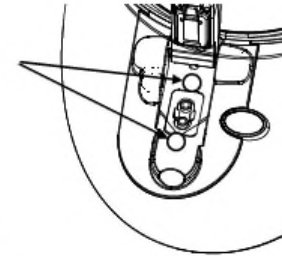
3. Is the fibre holder underneath the sample plate metal?
If YES, got to STEP 7.



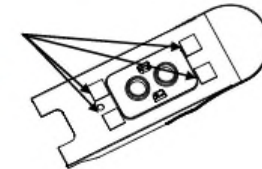
4. The fibre holder is plastic as shown. Remove leftover sticky pads if fitted.



5. Clean area for sticky pads.

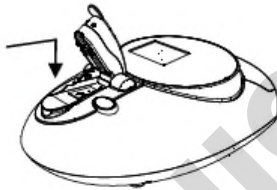


6. Fit new sticky pads to underside of new sample plate. Remove backing paper. Go to STEP 8



7. Remove sticky pads if fitted.

8. Fit the new lower sample plate; push the plate fully towards the back of the instrument before pressing down to engage the clips.



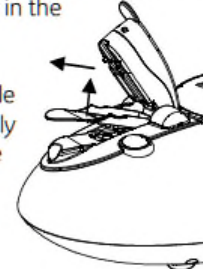
9. Press very firmly with a soft cloth or tissue (not shown) to avoid fingerprints on the glass. Go to STEP 15.



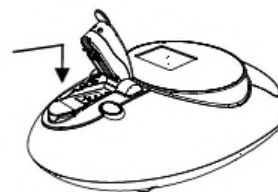
10. Remove screw, and keep to refit in the new plate.



11. Remove the lower sample plate by lifting the moulding as illustrated and pulling it in the direction shown.



12. Fit the new lower sample plate; push the plate fully towards the back of the instrument before pressing down to engage the clips.

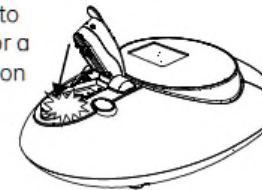


13. Press very firmly with a soft cloth or tissue (not shown) to avoid fingerprints on the glass.



14. Refit the screw.

15. Allow the head to fall and listen for a "clink" of metal on glass to indicate that the pin is contacting the lower sample plate.



16. Perform the pathlength calibration by selecting Utilities (5) and Pathlength Calibration (7) (see section 7.7 of the User Manual).



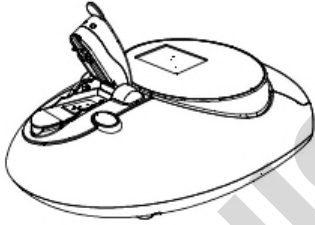
**NanoVue
Sample Plate Replacement Kit**
Instructions for fitting

Biochrom US
84 October Hill Road
Holliston, MA 01746 USA

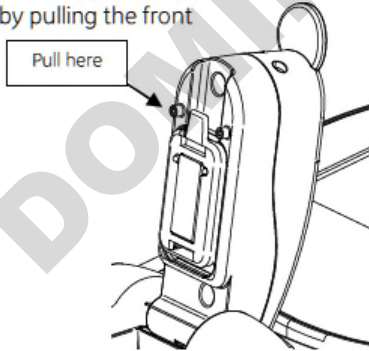
Biochrom Ltd
1020 Cambourne Business Park
Cambourne, Cambridge
CB23 6DW, United Kingdom

Offices

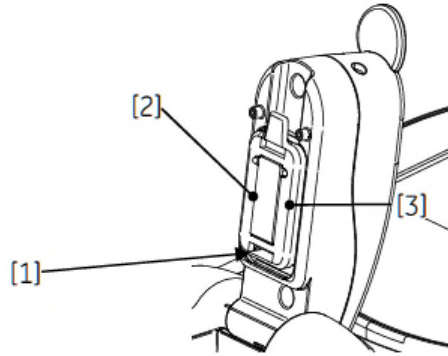
- Lift the head to remove the upper sample plate.



- Remove the upper sample plate, by pulling the front tab.



- Fit new upper sample plate by engaging the bottom clip first [1] and then by pressing firmly on the sides of the moulding to engage the top clip [2] and [3].



- Check that the right hand pin is just proud of the glass with a straight edge.

