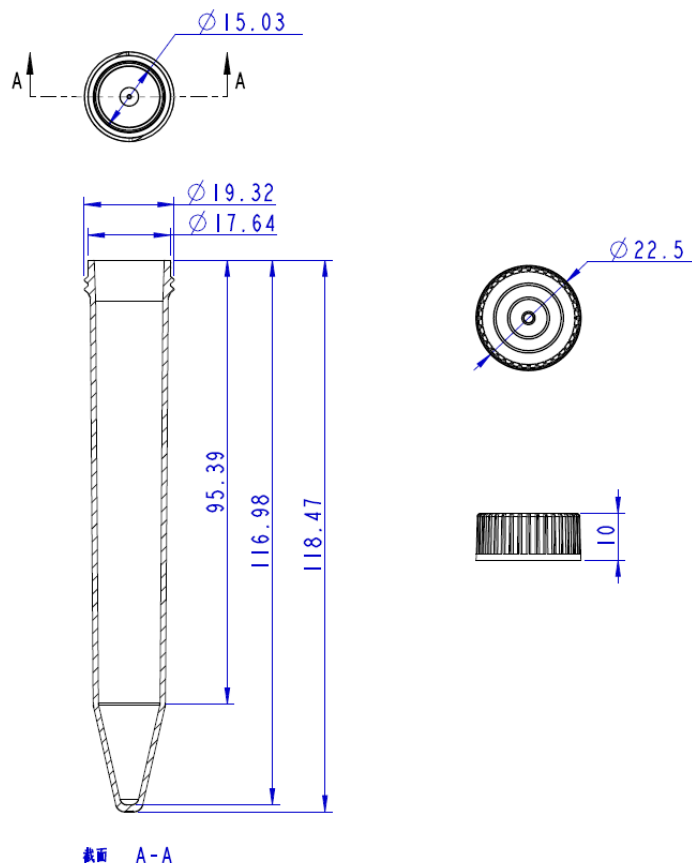


### ClearLine centrifuge tubes

Polypropylene tube  
Dnase, Rnase free / endotoxine free / PCR inhibitor free / non cytotoxique / pyrogen free  
Polyethylene cap  
Bidirectional grading  
Bottom tube graduations  
Max freeze level  
Marking surface  
Sterile (SAL 10-6)  
Conical bottom  
Autoclavable (max. °C) 121°C  
Max centrifugation speed : 15 000 g  
Perfect Leakproof: at -95kPa (14psi)  
Maximum accuracy of graduations at  $\pm 2\%$   
Volume (ml) : 15  
Packaging : Rack of 50 tubes



**Units :**  
500