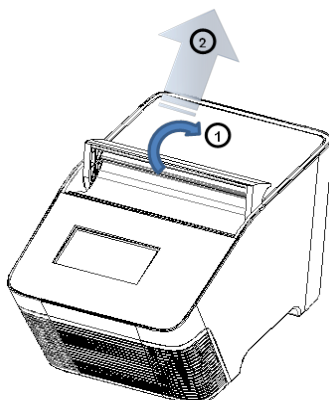


TurboCycler Lite Quick Operation Guide

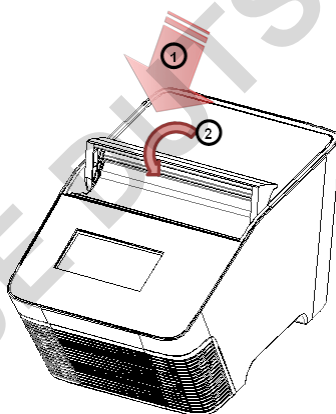
Scan the QR code on page 8 to download the Operation Manual

Hardware operation

1. To open the lid, pull the handle upward and lift the lid backward to the upright position.



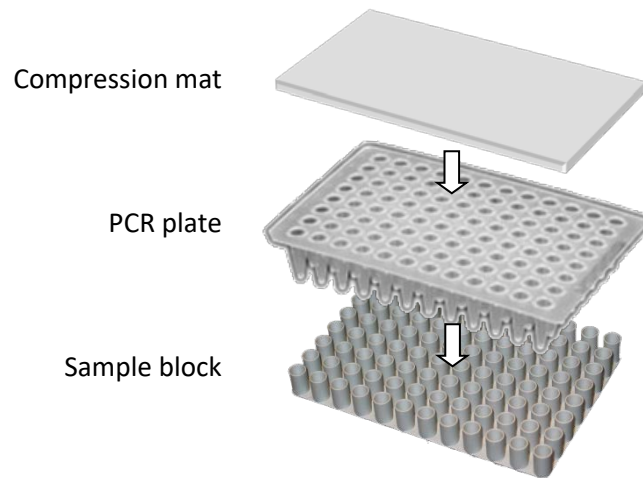
2. To close the lid, pull the lid downward and close the handle to the lock position.



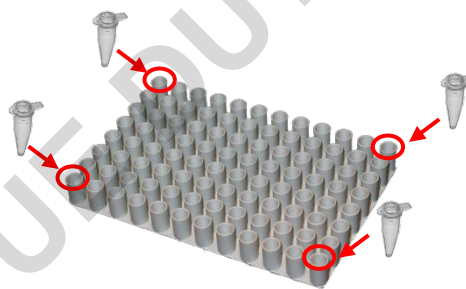
3. Lid heater setting:

PCR vessels	Compression mat	Lid heater temperature
Regular PCR plate, tube-strips and tubes	Not necessary. The 1 mm compression mat can be used to help maintaining the sealing integrity in case the PCR plate has any imperfection on the rim of the well.	105 °C
Low profile PCR plate, tube-strips and tubes	The 5.2 mm compression mat must be used to ensure sufficient contact pressure from the heated lid.	120 °C

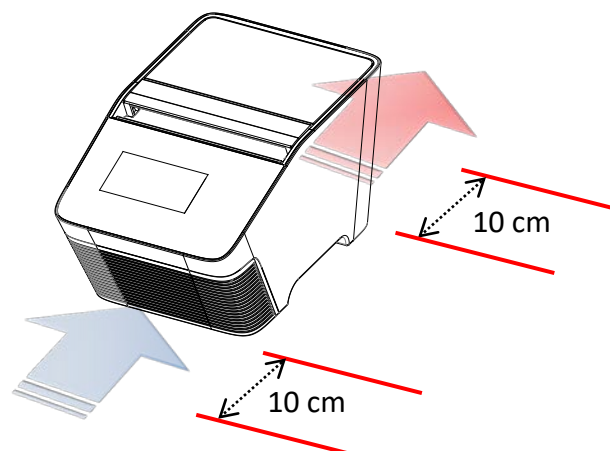
- a. Instructions for applying the compression mat:



- b. For detailed instructions on the lid heater setting, please refer to **section 3.4** of the TurboCycler Lite Operation Manual.
4. In order to prevent the deformation of the PCR vessels, and to ensure even distribution of the pressure from the lid, when PCR tubes or tube-strips are used, please load extra empty tubes on the 4 corners of the sample block. Always make sure that all the sample tubes/ tube-strips are distributed evenly on the sample block.



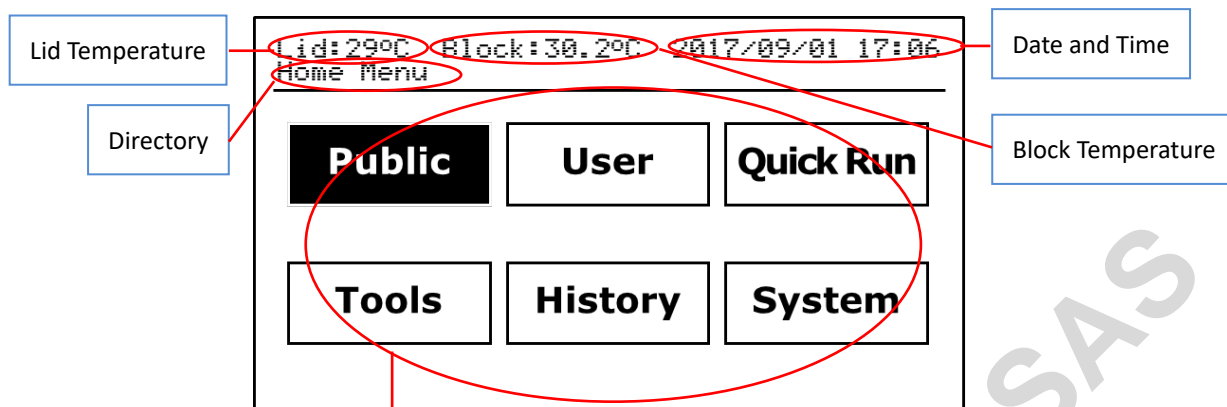
5. Ventilation air flow path:



Please make sure there is no obstacle in the air flow path. At least 10 cm of space is required at the front and the back of the instrument.

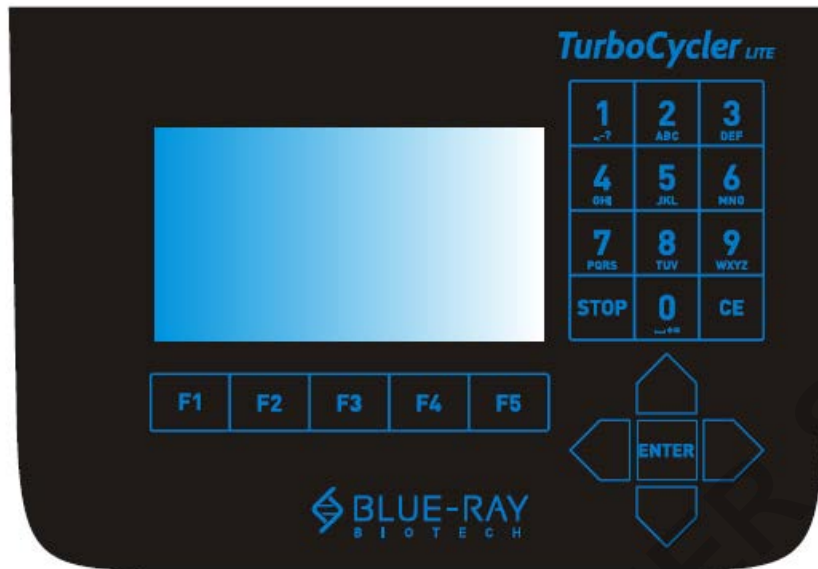
Software operation

1. Home Screen:



Home function icons	
Public	Public folder Shortcut to the Public folder
User	User folder For user folder management
Quick Run	Quick Run Quick access to the protocol editing and running without the need to create and save a new protocol
Tools	Tools Built-in assistant tools
History	History Protocol run history logbook
System	System setting For system management

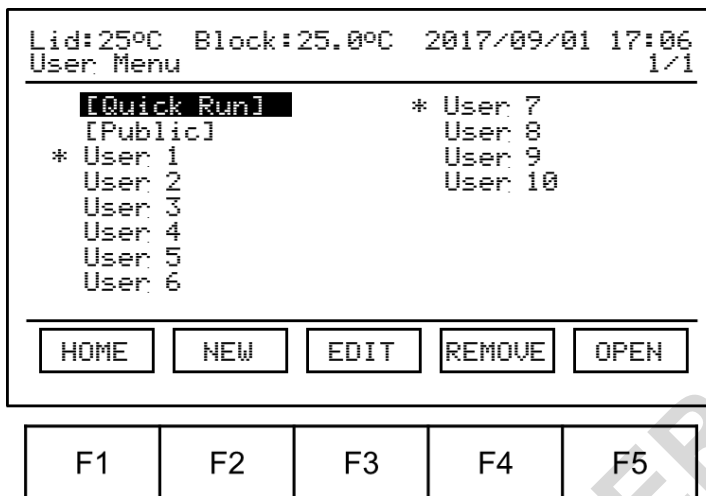
2. Keypad



Key	Key Representation
1	1 . , - ? ' # : ; /
2	2 A B C a b c
3	3 D E F d e f
4	4 G H I g h i
5	5 J K L j k l
6	6 M N O m n o
7	7 P Q R S p q r s
8	8 T U V t u v
9	9 W X Y Z w x y z
0	0 _ + = < > & () %
STOP	Stop the protocol running
CE	Cancel input and back space
▲ ▼ ◀ ▶	Selection keys
ENTER	Confirm the selection or input
F1 ~ F5	Function keys

3. User folder management:

On the main screen, select to enter the user folder management section.



User folder management		
F1	<input type="button" value="HOME"/>	Return to main menu
F2	<input type="button" value="NEW"/>	Create a new user folder
F3	<input type="button" value="EDIT"/>	Edit the selected user folder name
F4	<input type="button" value="REMOVE"/>	Remove the selected user folder
F5	<input type="button" value="OPEN"/>	Open the selected user folder

4. Protocol management:

Open the selected user folder. The protocol file list will be displayed.

```

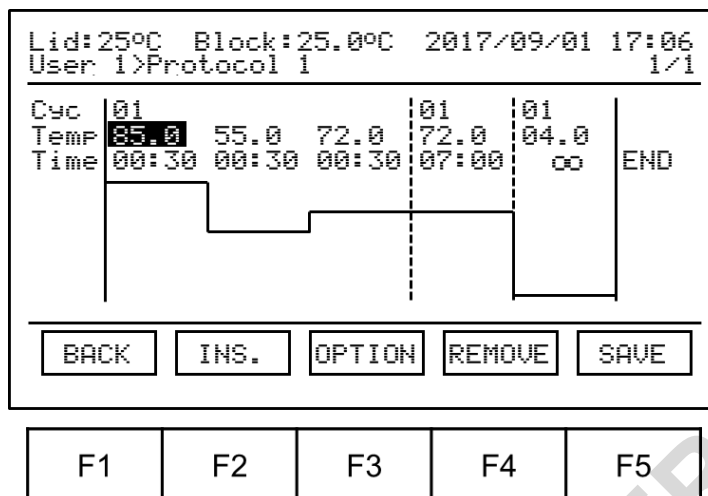
Lid:25°C   Block:25.0°C   2017/09/01 17:06
User: 1                                         01/01
-----
Protocol 1   2017/10/20 13:50:12
Protocol 2   2017/10/23 14:15:12
Protocol 3   2017/10/25 15:16:17
Protocol 4   2017/11/02 11:12:13
-----
[BACK] [NEW] [EDIT] [REMOVE] [OPEN]
    
```

F1	F2	F3	F4	F5
----	----	----	----	----

Protocol management		
F1	[BACK]	Return to user folder list
F2	[NEW]	Create a new protocol file
F3	[EDIT]	Edit the selected protocol file name
F4	[REMOVE]	Remove the selected protocol file
F5	[OPEN]	Open the selected protocol file

5. Protocol editing:

- a. Refer to “Section 4. Protocol management” to open the protocol.



Protocol editing		
F1	BACK	Return to protocol list
F2	INS.	Duplicate the selected stage or step
F3	OPTION	Edit the advanced step options
F4	REMOVE	Remove the selected stage or step
F5	SAVE	Save the edited protocol
	RUN	Run the protocol

- b. Use the ◀ ▶ keys to select the step segment; use the ▲ ▼ keys to select the field you want to modify. The selected area will be highlighted.
- c. Use the alpha-numeric keypad to input the setting value for the selected field.
- d. Tap to save the changes.

6. Running a protocol:

- a. Refer to “Section 4. Protocol management” to open the protocol.
- b. Tap **F5** to initiate the run.
- c. Specify the lid heater temperature.

Lid:29°C Block:30.2°C 2017/09/01 17:06 [Public]>22				
Lid : OFF °C (35~120, 0:OFF) Volume : 020 ul (10~100, 0:Block Mode)				
<input type="button" value="BACK"/>	<input type="button" value="OFF"/>	<input type="button" value="105°C"/>	<input type="button" value="120°C"/>	<input type="button" value="OK"/>
F1	F2	F3	F4	F5

- d. Key in the sample volume.

Lid:29°C Block:30.2°C 2017/09/01 17:06 [Public]>22				
Lid : OFF °C (35~120, 0:OFF) Volume : 020 ul (10~100, 0:Block Mode)				
<input type="button" value="BACK"/>		<input type="button" value="OK"/>		
F1	F2	F3	F4	F5

- e. Tap **F5** to start the run.

7. Tools:

Dry Bath	Use the TurboCycler Lite as a dry bath
Tm Calculator	Calculate the Tm for the input primer
OD Convertor	Calculate the nucleic acid concentration from an OD measurement
Copy Number Convertor	Convert the DNA concentration to a copy number
Mastermix Preparation Wizard	Calculate the volume of the reagents needed to make the mastermix

8. System:

Administrator	System Administration
Ramping Rate	Change the system ramp rate
Key Beep	Turn the system keypad buzzer on/off
Date & Time	Change the system date and time

Note:

1. The content of this document is subject to change without prior notice. Please visit Blue-Ray Biotech's website at www.blue-raybio.com for updated information.
2. If you have any questions about the operation of the TurboCycler Lite, please contact sales@blue-raybio.com for assistance.
3. Scan the QR code to access the product website and the operation manual.



Product Website



Operation Manual